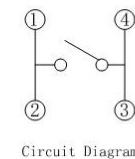
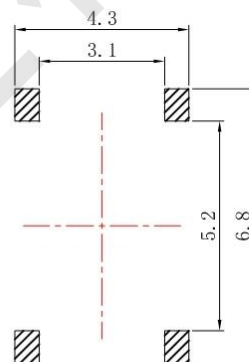
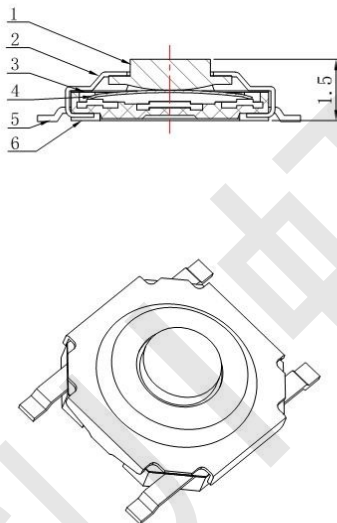
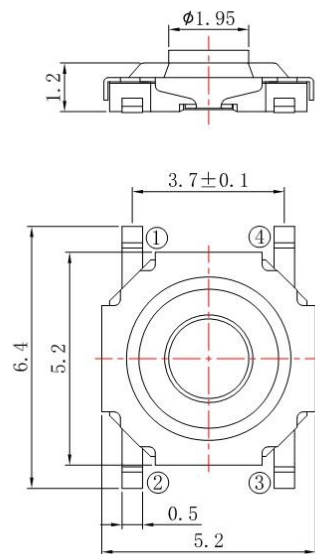
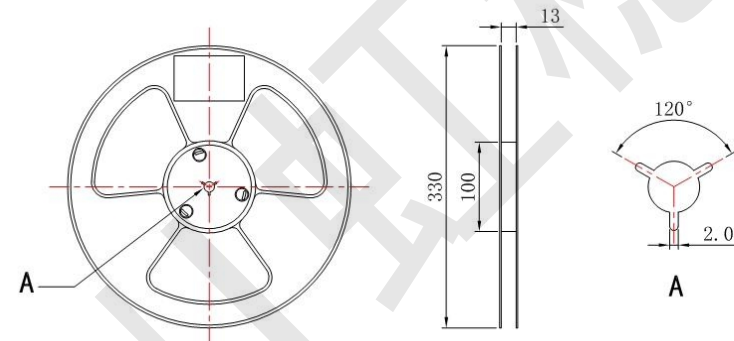
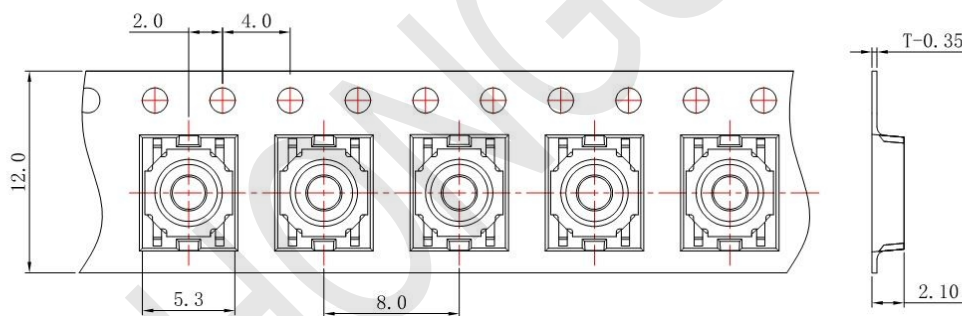


NO.	H	
01	1.5	√
02	1.6	
03	1.7	
04	2.0	
05	2.5	
06	4.3	



- Remarks:
1. Rated current, Voltage: DC 12V 50mA
 2. Contact resistance: $\leq 50m\Omega$
 3. Insulation resistance: $\geq 100M\Omega$
 4. The intensity of operations: $250 \pm 50gf$
 5. Life requirements: 100000 times
 6. Withstand voltage: AC250V 1 minute
 7. All materials comply with RoHS standards

P. C. B. Layout



- Remarks:
- 1, The number of tapes per volume is 4000 PCS;
 - 2, Braiding process, can not be caused by carrying half crushed;
 - 3, Pay attention to the direction of the tape, with a clockwise direction out of the carrier tape, with a hole in the top or right

NO.	PART NAME	MATERIAL	QTY	FINISHING	General	Tolerance	DRAWN	YANGBIAO	Product Name	Tact switch
6	Housing	PPA	1	Black	$X \leq 1$	± 0.05	AFFIRM	YANGGUOQUAN	Model Number	TS52BB15B25B001G
5	Terminal	Phosphor copper	4	Ag Plating $\geq 0.25 \mu m$	$1 \leq X \leq 5$	± 0.10	AUDITING		DATE	2016-06-08
4	Shrapnel	SUS	1	Ag Plating $\geq 0.25 \mu m$	$5 \leq X \leq 10$	± 0.15	SHEET	1:1	UNIT	mm
3	Paster	Polyimide	1	Yellow	$X > 10$	± 0.25				
2	Cover	SUS	1	Primary	ANGLE	$\pm 3^\circ$				
1	Button	Brass	1	Primary						
					ZHEJIANG HONGSUI PRECISION ELECTRONIC CO., LTD					