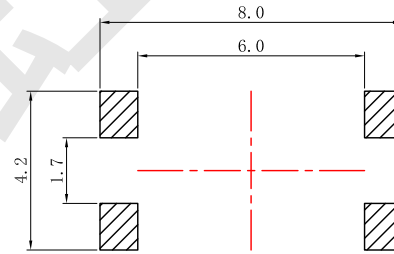
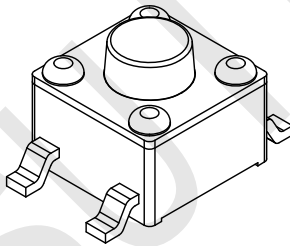
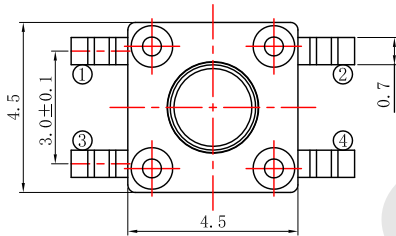
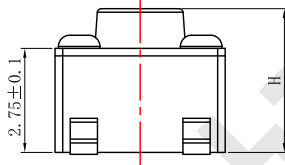
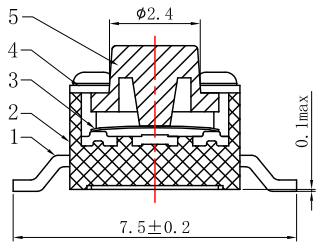
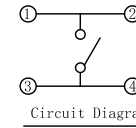


ITEM	H	
01	3.5	
02	3.8	
03	4.3	
04	4.5	
05	5.0	√
06	5.5	
07	6.0	
08	6.5	
09	7.0	
10	7.5	
11	8.0	
12	8.5	
13	9.0	

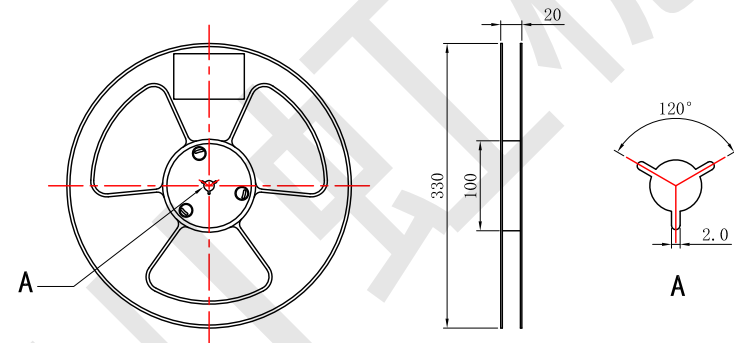
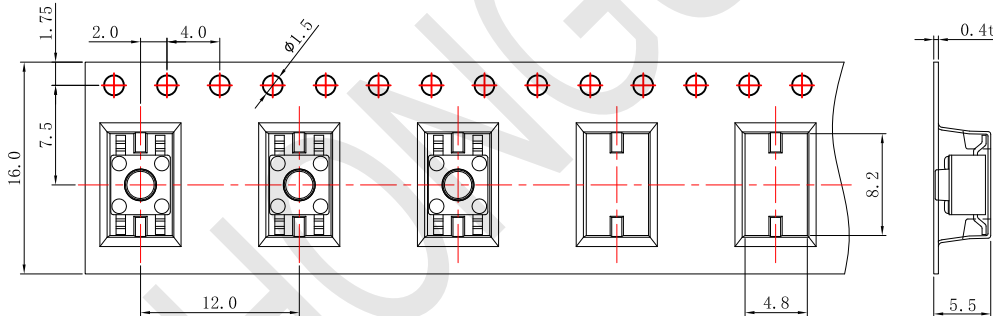


P. C. B. Layout



Remarks:

1. Rated current, Voltage: DC 12V 50mA
2. Contact resistance: $\leq 100m\Omega$
3. Insulation resistance: $\geq 100M$
4. The intensity of operations: $160 \pm 50gf$
5. Life requirements: 100000 times
6. Withstand voltage: AC250V 1 minute
7. All materials comply with RoHS standards



Remarks:

- 1, The number of tapes per volume is 1500 PCS;
- 2, Braiding process, can not be caused by carrying half crushed;
- 3, Pay attention to the direction of the tape, with a clockwise direction out of the carrier tape, with a hole in the top or right

					General Tolerance		DRAWN			YANGBIAO		Product Name		Tact switch		
					$X \leq 1$	± 0.05	AFFIRM			YANGGUOQUAN		Model Number		TS45BB50B16B031		
5					Button	PPA	1	Black	AUDITING			DATE		2016-08-10		
4					Cover	SPCC	1	White	SHEET			1:1	UNIT	mm		
3					Shrapnel	SUS	1	Ag Plating								
2					Housing	PPA	1	Black								
1					Terminal	Brass	4	Ag Plating								
NO.					PART NAME	MATERIAL	QTY	FINISHING	ZHEJIANG HONGSUI PRECISION ELECTRONIC CO., LTD							