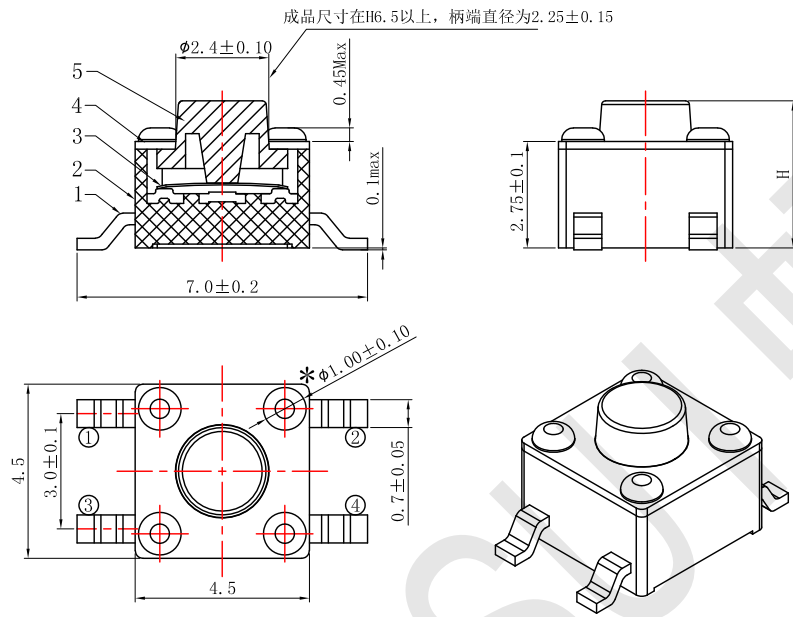
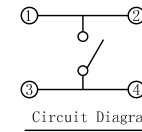


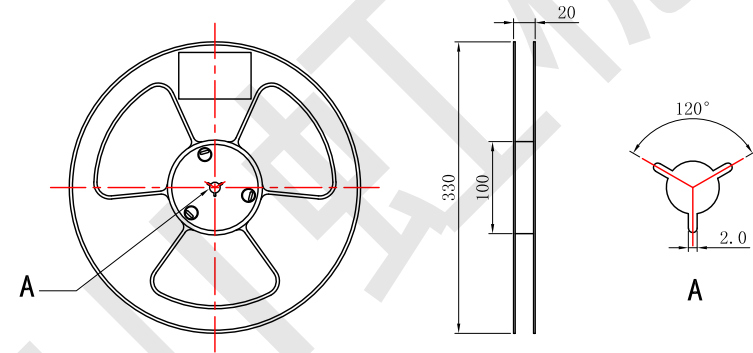
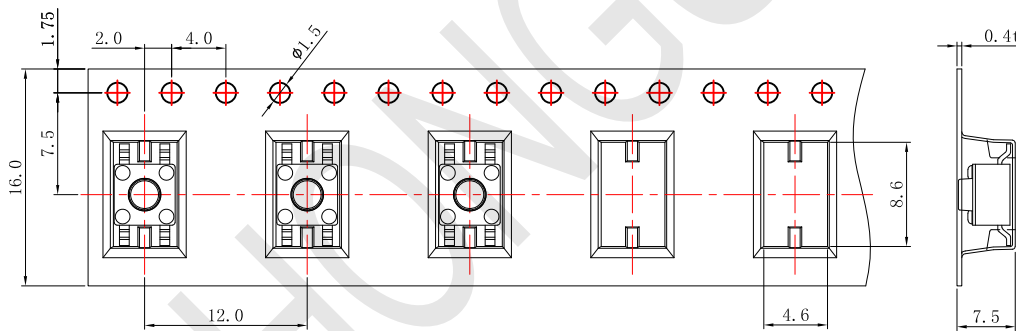
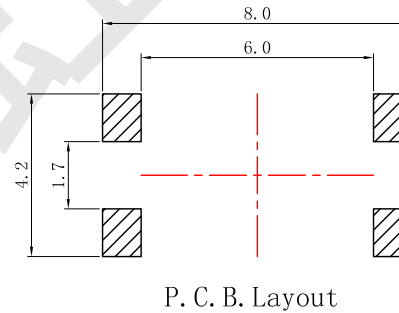
ITEM	H	
01	3.8	
02	4.3	
03	4.5	✓
04	5.0	
05	6.0	
05	6.5	
05	7.0	
05	8.0	



Version	Amendments	Modifier	Date Modified
A/0	新制定	杨国权	2016-8-10
A/1	变更铆点直径由1.10改为1.00	杨国权	2018-9-22



- Remarks:
1. Rated current, Voltage: DC 12V 50mA
 2. Contact resistance: $\leq 50 \text{m}\Omega$
 3. Insulation resistance: $\geq 100 \text{M}\Omega$
 4. The intensity of operations: $220 \pm 30 \text{gf}$
 5. Life requirements: 100000 times
 6. Withstand voltage: AC250V 1 minute
 7. All materials comply with RoHS standards



- Remarks:
- 1, The number of tapes per volume is 800 PCS;
 - 2, Braiding process, can not be caused by carrying half crushed;
 - 3, Pay attention to the direction of the tape, with a clockwise direction out of the carrier tape, with a hole in the top or right

NO.	PART NAME	MATERIAL	QTY	FINISHING	General Tolerance	DRAWN	YANGBIAO	Product Name	Tact switch
5	Button	PPA	1	Black	$X \leq 1$	AFFIRM	YANGGUOQUAN	Model Number	TS45BA45B25B031
4	Cover	SPCC	1	Ni Plating	$1 \leq X \leq 5$	AUDITING		DATE	2018-09-22
3	Shrapnel	SUS	1	Ag Plating	$5 \leq X \leq 10$				
2	Housing	PPA	1	Black	$X > 10$	SHEET	1:1 UNIT mm		
1	Terminal	Brass	4	Ag Plating	ANGLE				