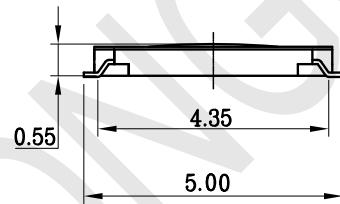
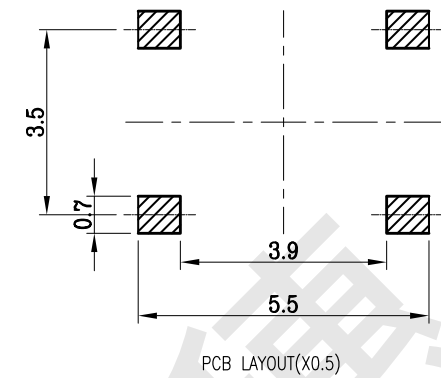
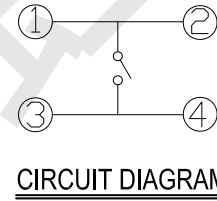
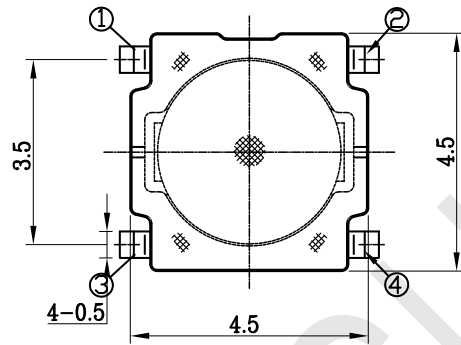



Version	ECM	Amendments	Modifier	Date Modified
A/0				



Remarks:

1. Rated current、Voltage: DC 12V 50mA
2. Contact resistance: $\leq 100\text{m}\Omega$
3. Insulation resistance: $\geq 100\text{M}\Omega$
4. The intensity of operations: $250 \pm 50\text{gf}$
5. Life requirements: 100000次
6. Withstand voltage: AC250V 1分钟
7. All materials comply with RoHS standards

NO.	PART NAME	MATERIAL	QTY	FINISHING	General Tolerance	DRAWN	YANGGUOQUAN	Product Name	Tact switch
6					$X \leq 1$	± 0.05	AFFIRM	LIUMINGQIANG	Model Number
5					$1 \leq X \leq 5$	± 0.10	AUDITING		DATE
4	Paster	Polyimide	1	Yellow	$5 \leq X \leq 10$	± 0.15	SHEET	1:1 UNIT mm	2018-9-28
3	Terminal	Phosphor bronze	4	Ag Plating	$X > 10$	± 0.25			
2	Housing	LCP	1	Black	ANGLE	$\pm 3^\circ$			
1	Shrapnel	SUS	1	Ag Plating					
					 ZHEJIANG HONGSUI PRECISION ELECTRONIC CO., LTD				