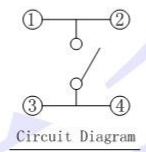
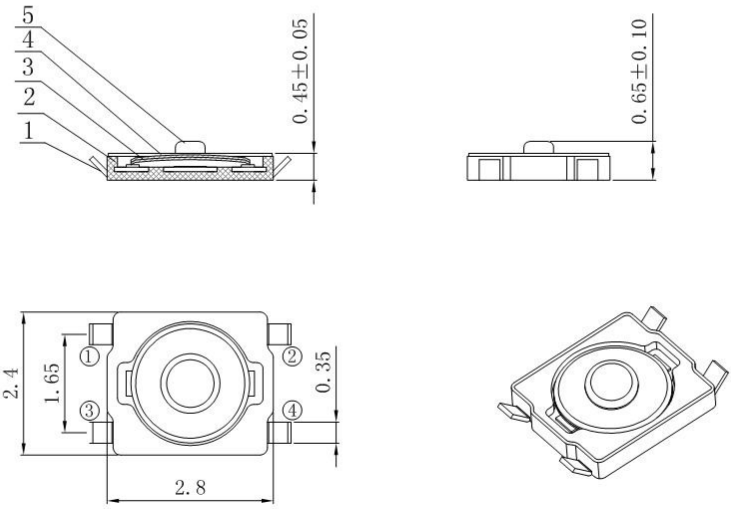
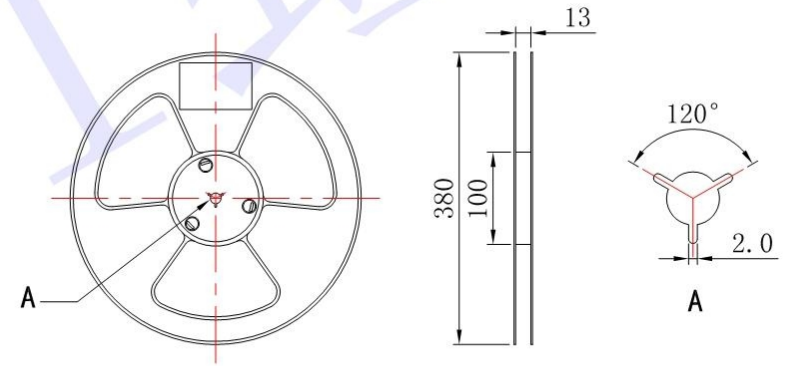
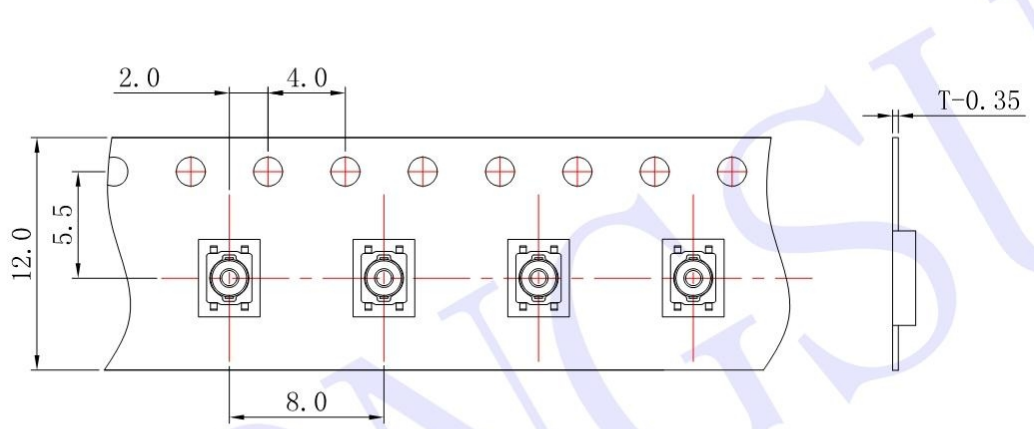
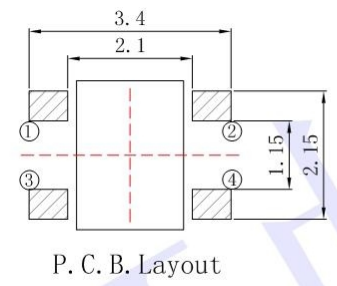


| Version | ECM | Amendments | Modifier | Date Modified |
|---------|-----|------------|----------|---------------|
| A/0 | | | | |
| | | | | |



- Remarks:
1. Rated current, Voltage: DC 12V 50mA
 2. Contact resistance: $\leq 100m\Omega$
 3. Insulation resistance: $\geq 100M\Omega$
 4. The intensity of operations: $200 \pm 50gf$
 5. Life requirements: 100000 times
 6. Withstand voltage: AC250V 1 minute
 7. All materials comply with RoHS standards



- Remarks:
- 1, The number of tapes per volume is 10000 PCS;
 - 2, Braiding process, can not be caused by carrying half crushed;
 - 3, Pay attention to the direction of the tape, with a clockwise direction out of the carrier tape, with a hole in the top or right

| NO. | PART NAME | MATERIAL | QTY | FINISHING | General Tolerance | DRAWN | YANGBIAO | Product Name | Tact switch |
|--|-----------|-----------------|-----|------------|--------------------|----------|-------------|--------------|-----------------|
| 5 | Button | Polyimide | 1 | Yellow | $X \leq 1$ | AFFIRM | YANGGUOQUAN | Model Number | TS24AB65A20B001 |
| 4 | Paster | Polyimide | 1 | Yellow | $1 \leq X \leq 5$ | AUDITING | | DATE | 2019-02-18 |
| 3 | Shrapnel | SUS | 2 | Ag Plating | $5 \leq X \leq 10$ | | | | |
| 2 | Housing | LCP | 1 | Black | $X > 10$ | SHEET | 1:1 UNIT mm | | |
| 1 | Terminal | Phosphor copper | 4 | Ag Plating | ANGLE | | | | |
| | | | | | | | | | |
| Zhejiang Hongsui Precision Electronics Co., Ltd. | | | | | | | | | |