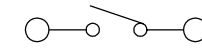
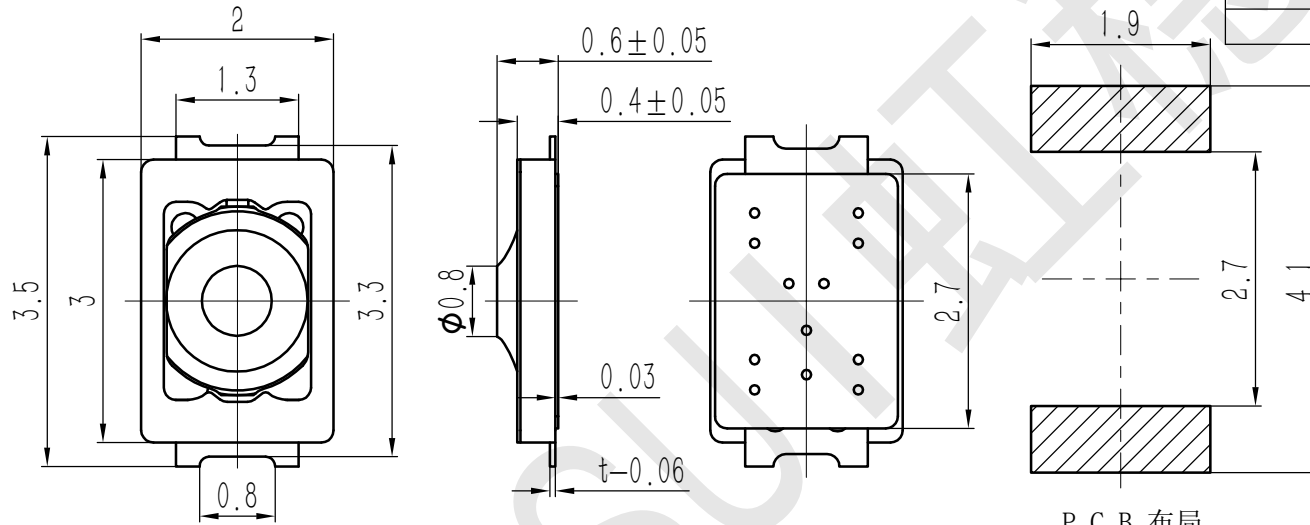
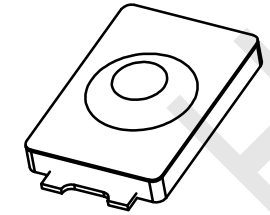


Version	ECM	Amendments	Modifier	Date Modified

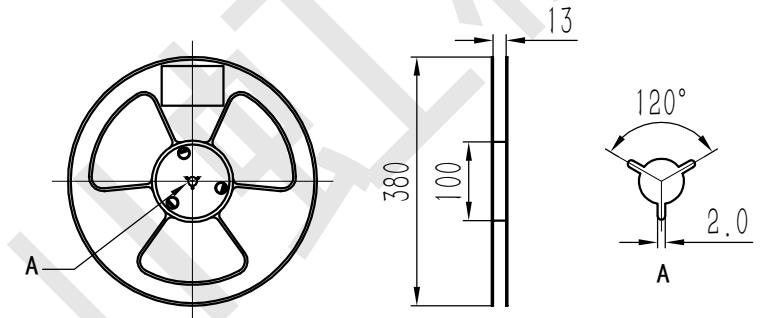
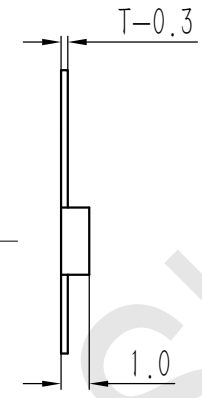
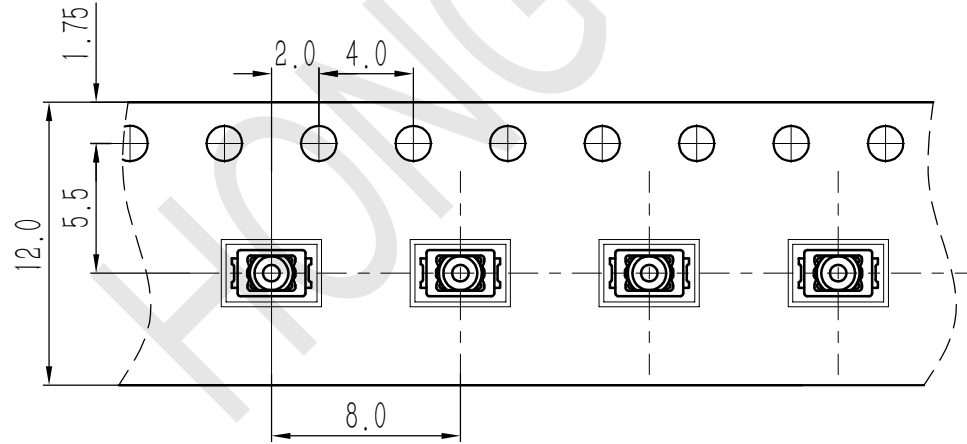


线路图
Circuit Diagram



- Remarks:
1. Rated current, Voltage: DC 12V 50mA
 2. Contact resistance: $\leq 100\text{m}\Omega$
 3. Insulation resistance: $\geq 100\text{M}\Omega$
 4. The intensity of operations: $250 \pm 50\text{gf}$
 5. Life requirements: 100,000次
 6. Withstand voltage: AC 250V 1分钟
 7. All materials comply with RoHS standards

P.C.B 布局
Recommended PCB Layout



- Remarks:
- 1, The number of tapes per volume is 10000 PCS;
 - 2, Braiding process, can not be caused by carrying half crushed;
 - 3, Pay attention to the direction of the tape, with a clockwise direction out of the carrier tape, with a hole in the top or right

NO.	PART NAME	MATERIAL	QTY	FINISHING	General Tolerance		DRAWN	郑杰铭	Product Name	Tact Switch
					X≤1	±0.05				
					1≤X≤5	±0.10	AFFIRM	徐丹丹	PART DESCRIPTION	2x3x0.6 250gf 带内点U脚贴膜
5	Button	Polyimide	1	Black	5≤X≤10	±0.15	AUDITING	杨书胜	Model Number	TS20AN60A25B035
4	Paster	PI film	1	White	X>10	±0.25				
3	Shrapnel	SUS	2	Ag Plating	ANGLE	±3°	DATE	2021.06.19		Rev
2	Housing	PA6T	1	Black	UNIT	mm				A1
1	Terminal	Phosphor copper	2	Ag Plating						1:1



ZHEJIANG HONGSUI PRECISION ELECTRONIC CO., LTD