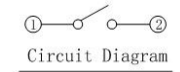
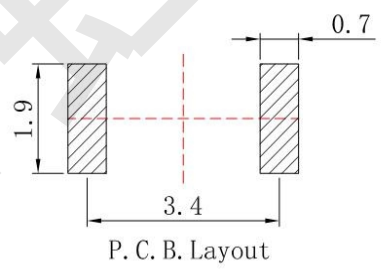
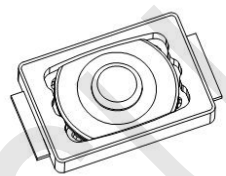
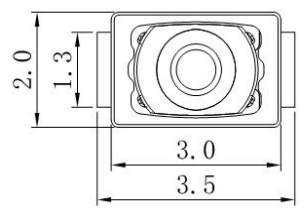
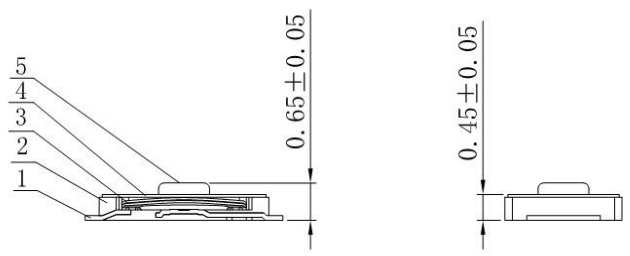
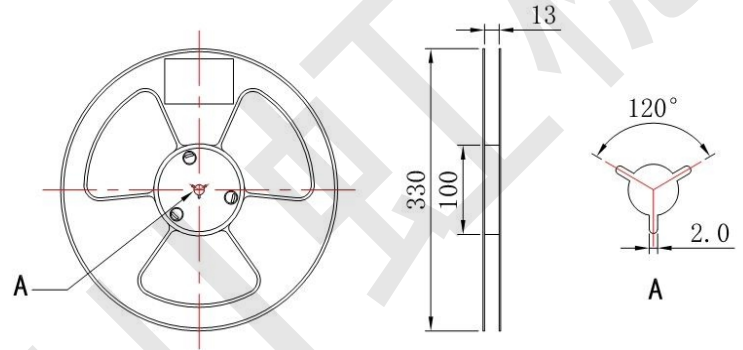
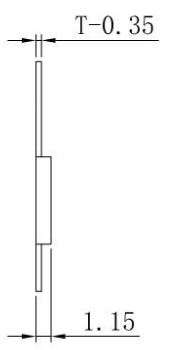
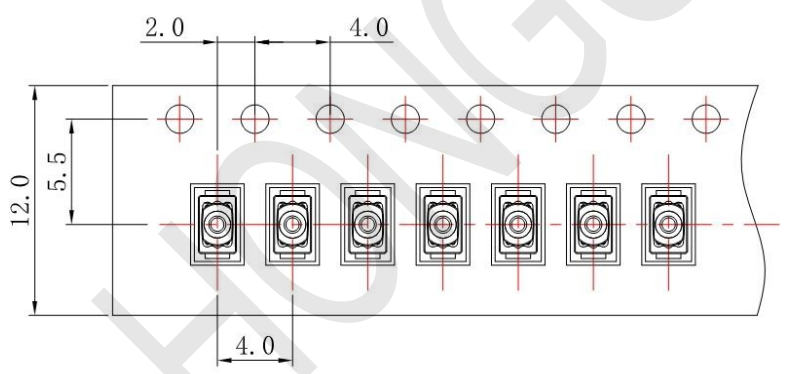


Version	ECM	Amendments	Modifier	Date Modified
A/0				



- Remarks:
1. Rated current, Voltage: DC 12V 50mA
 2. Contact resistance: $\leq 100m\Omega$
 3. Insulation resistance: $\geq 100M\Omega$
 4. The intensity of operations: $250 \pm 50gf$
 5. Life requirements: 100000times
 6. Withstand voltage: AC250V 1 minute
 7. All materials comply with RoHS standards



- Remarks:
1. The number of tapes per volume is 10000 PCS;
 2. Braiding process, can not be caused by carrying half crushed;
 3. Pay attention to the direction of the tape, with a clockwise direction out of the carrier tape, with a hole in the top or right

NO.	PART NAME	MATERIAL	QTY	FINISHING	General Tolerance		DRAWN			Product Name	Tact switch
					X ≤ 1	±0.05	YANGBIAO		Model Number		
5	Button	Polyimide	1	Yellow	1 ≤ X ≤ 5	±0.10	AFFIRM		YANGGUOQUAN	TS20AB65A25B001	
4	Paster	Polyimide	1	Yellow	5 ≤ X ≤ 10	±0.15	AUDITING			DATE	2016-06-08
3	Shrapnel	SUS	2	Ag Plating	X > 10	±0.25	SHEET	1:1	UNIT	mm	
2	Housing	LCP	1	Black	ANGLE	±3°					
1	Terminal	Phosphor copper	2	Ag Plating			ZHEJIANG HONGSUI PRECISION ELECTRONIC CO., LTD				