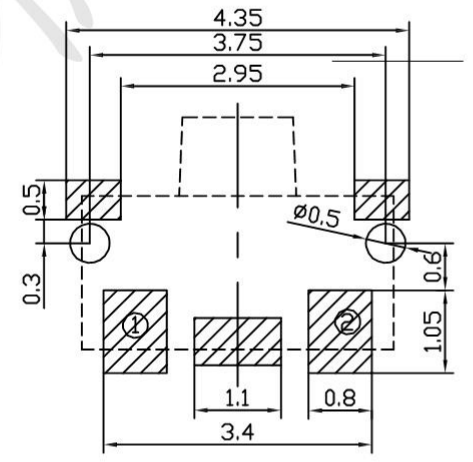
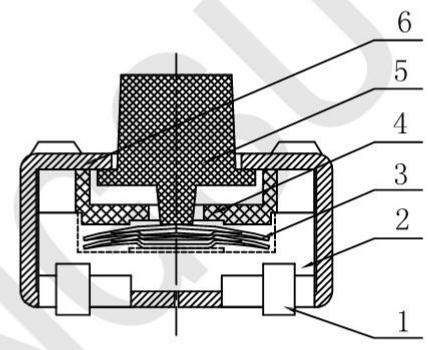
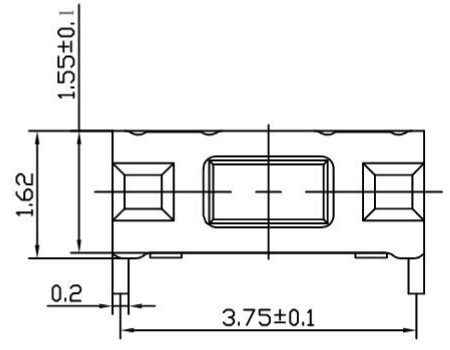
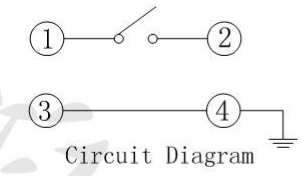
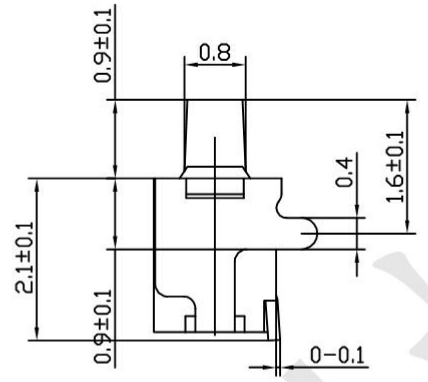
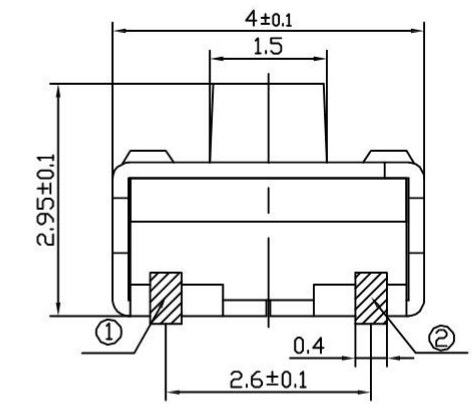


Version	ECM	Amendments	Modifier	Date Modified
A/0				



P. C. B. Layout

- Remarks:
1. Rated current, Voltage: DC 12V 50mA
  2. Contact resistance:  $\leq 100m\Omega$
  3. Insulation resistance:  $\geq 100M\Omega$
  4. The intensity of operations:  $80 \pm 50gf$
  5. Life requirements: 50000 times
  6. Withstand voltage: AC250V 1 minute
  7. All materials comply with RoHS2.0 standards

NO.	PART NAME	MATERIAL	QTY	FINISHING	General	Tolerance	DRAWN	YANGBIAO			Product Name	Tact switch
7					X $\leq 1$	$\pm 0.05$	AFFIRM	YANGGUOQUAN			Model Number	TS16DB29B08B005
6	Bracket	Phosphor Copper	1	Ag Plating	$1 \leq X \leq 5$	$\pm 0.10$	AUDITING				DATE	2019-11-29
5	Button	LCP	1	Black	$5 \leq X \leq 10$	$\pm 0.15$	SHEET	1:1	UNIT	mm		
4	Cover	LCP	1	White	X > 10	$\pm 0.25$						
3	Shrapnel	SUS	2	Ag Plating	ANGI F	$\pm 3^\circ$						
2	Housing	LCP	1	White								
1	Terminal	Phosphor Copper	2	Ag Plating								
							Zhejiang Hongsui Precision Electronics Co., Ltd.					