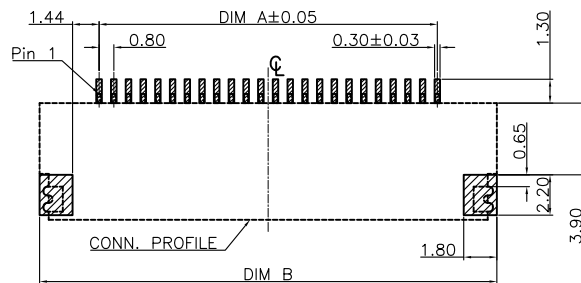
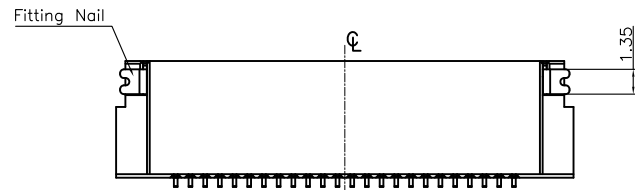
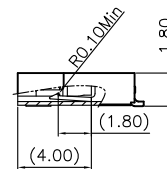
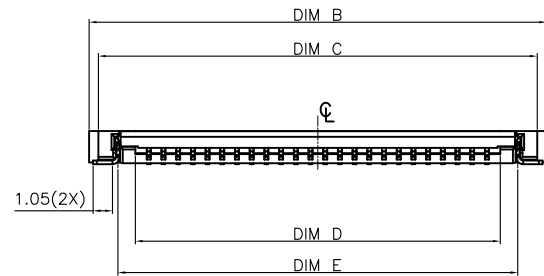


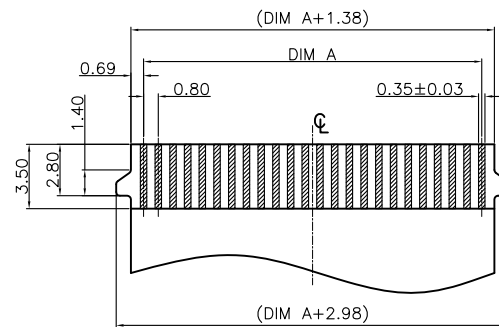
**Notes:**

1. Material:
  - 1.1 Housing: thermoplastic high temp. UL94V-0; Color: Natural.
  - 1.2 Actuator: thermoplastic high temp. UL94V-0; Color: black.
  - 1.3 Terminal: copper alloy.
  - 1.4 Fitting Nail: copper alloy.
2. Finish:
  - 2.1 Terminal: 50u" Min. Nickel underplated overall. I:Gold flash on Contact area and solder area
  - 2.2 Fitting Nail: 50u" Min. Nickel underplated overall. 80~150u" Min. Matte Tin plated.
3. Product must comply HF RoHS specification.
4. Product No:
 

AFB04-S	**	F	*	* - **	
CKTS					
CONTACTS TYPE					HF:Halogen free
F:Lower					
PLATING					PACKING
I: Gold flash					A:Tape&Reel
					C:Tube



RECOMMENDED PCB LAYOUT  
GENERAL TOLERANCE ±0.05



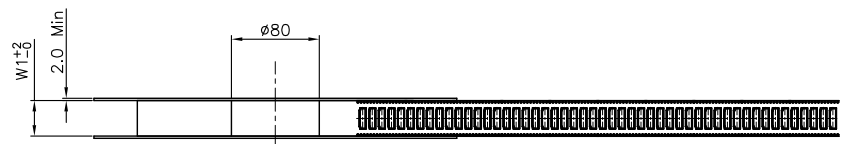
RECOMMENDED FPC/FFC DIMENSIONS  
GENERAL TOLERANCE ±0.03

0.30±0.03

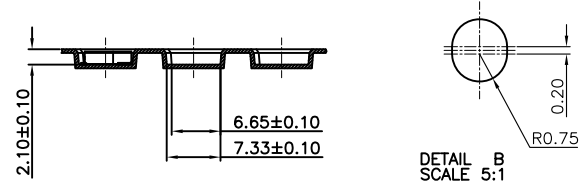
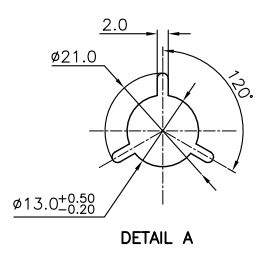
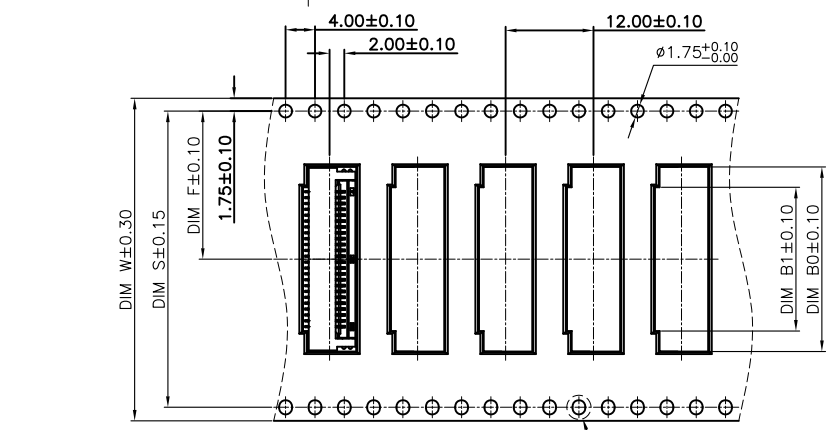
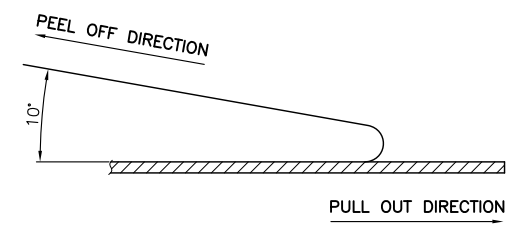
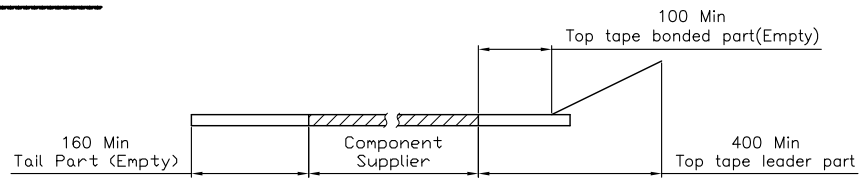
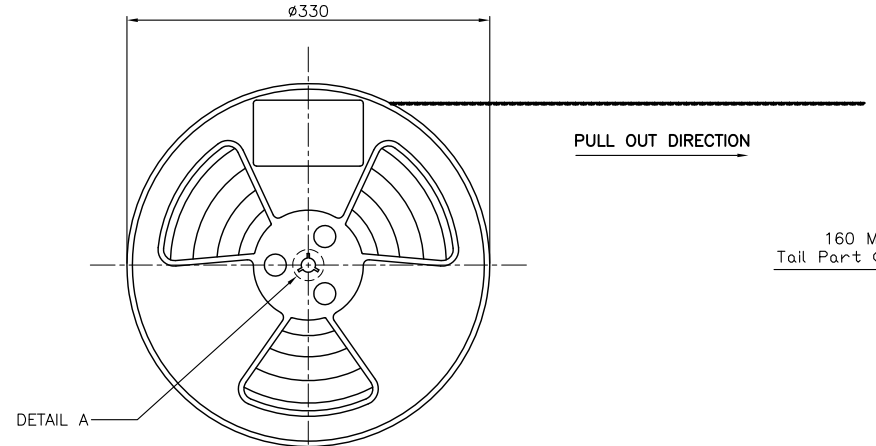
CKT	DIM A	DIM B	DIM C	DIM D	DIM E
24	18.40	24.88	23.88	19.85	21.75

CUSTOMER DRAWING		深圳市钜硕电子有限公司 SHENZHEN JUSHUO ELECTRONIC CO.,LTD	
Tolerance Unspecified (未注公差)	Size(图幅): A4	Product Name(产品名称): 0.8Pitch H=1.80 FPC/FFC Easy-on R/A TYPE 1 SMT CONN.	
0.0 ±0.25 0° ±5°	Unit(单位): MM	Product No(产品料号): AFB04-S**F**-*	
0.00 ±0.15 0° ±3°	Scale(比例): 1:1	Designer(设计): 张孝雄	Checked(审核):
0.000 ±0.10 0° ±1°	Project View (投影视角): 1 OF 1	Rev(版本): A	Approved(核准):

Rev	Change Description	Date	Revisor
A	NEW RELEASE	2018/07/31	张孝雄
版本	变更内容	日期	制/修订人



- NOTES:
- 10 SPROCKET HOLE PITCH CUMULATIVE TOLERANCE.±0.20mm
  - CARRIER CAMBER NOT TO EXCEED 1mm IN 250mm.
  - ALL DIMENSIONS MEET EIA-481-C REQUIREMENTS.
  - MATERIAL: BLACK ANTI-STATIC POLYSTYRENE.
  - THICKNESS: 0.50 ± 0.05 mm.
  - PACKING LENGTH PER 13" REEL : 24.60METERS.
  - COMPONENT LOAD PER 13" REEL : 2000PCS.
  - PEELING OFF FORCE OF TOP TAPE 0.1N~0.7N(10.2gf~71.4gf).



CKTS	DIM B0	DIM B1	DIM W	DIM W1	DIM S	DIM F
24	25.18	19.60	44.00	44.40	40.40	20.20
25	25.98	20.40				
26	26.78	21.20				
27	27.58	22.00				
28	28.38	22.80				
29	29.18	23.60				
30	29.98	24.40				
31	30.78	25.20				
32	31.58	26.00				
33	32.38	26.80				
34	33.18	27.60	56.00	56.40	56.40	26.20
35	33.98	28.40				
36	34.78	29.20				
37	35.58	30.00				
38	36.38	30.80				
39	37.18	31.60				
40	37.98	32.40				
41	38.78	33.20				
42	39.58	34.00				

**深圳市钜硕电子有限公司**  
SHENZHEN JUSHUO ELECTRONIC CO.,LTD

Product Name(产品名称): 0.8Pitch H=1.80 FPC 掀盖卧式1代SMT型.载带

Product No(产品料号): AFB04-S\*\*F\*\*\*

Drawing No(图面编号): DNE000\*\*\*-\*\* Date(日期): 2018/07/15

Designer(设计): 张孝雄 Checked(审核): Approved(核准):

CLASSIFICATION DIMENSION (尺寸类别):  
FAT(首次检验): ☉To ☉  
■ MARK IS MAJOR DIM(重点尺寸标示)  
⊙ MARK IS CRITICAL DIM(Cpk&Cp标示)

Tolerance Unspecified (未注公差):  
0.0 ±0.10 0° ±3°  
0.00 ±0.05 0° 0 ±2°  
0.000 ±0.02 0° 00 ±1°

Size(图幅): A4  
Unit(单位): MM  
Scale(比例): 1:1  
Page(页数): 1 OF 1

Project View (投影视角):

Rev 版本	Change Description 变更内容	Date 日期	Revisor 制/修订人
1.0	初版发行	2018/07/15	张孝雄