

**P.C.B LAND DIMENSION**



**GT-TC034X-HXXX-LX**

**G-SWITCH**

**Operating Force**

- A=160gf
- B=250gf
- C=100gf
- D=350gf

**Switch Height (mm)**

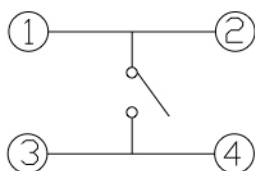
- H017=1.7mm
- H018=1.8mm
- H020=2.0mm
- H025=2.5mm

**Switch lifetime (Force)**

L1=100,000 Cycles

**G-Switch Specification:**

Operating temperature range: -30°C to +85°C  
 Rating: 50mA.12V DC  
 Insulation resistance: 100MΩ min.100V DC  
 Dielectric strength: 250V AC for 1 min  
 Contact resistance: 100m Ω max.  
 Travel: 0.15±0.05mm

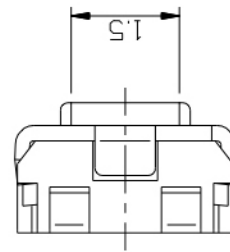
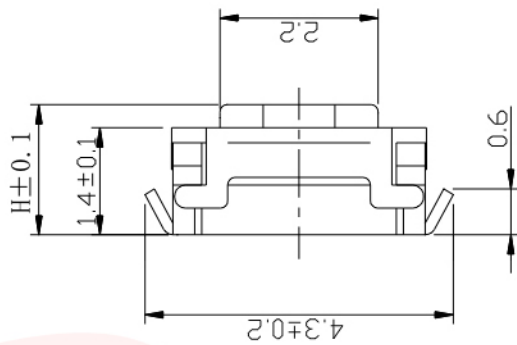


**CIRCUIT DIAGRAM**



**G-Switch Electronic (HongKong) CO.,Ltd.**

Unless otherwise specified, Tolerance: X. ±0.30 X.x ±0.20 X.xx ±0.15 X.xxx ±0.10 Angles ±3°	DESIGN 陈锋枫	DATE 2021.03.08	Molde code:	
	CHECKED	DATE	GT-TC034X-HXXX-LX	
	APPROVED	DATE		
http://www.dg-switch.com		REV.: X1	SCALE: 4:1	UNIT: mm
TEL:0769-82388879		SIZE: A4	SHEET: 1/1	



### GT-TS034X-HXXX-LX

G-SWITCH

**Operating Force**

- A=180gf
- B=250gf
- C=100gf
- D=350gf

**Switch Height (mm)**

- H017=1.7mm
- H018=1.8mm
- H020=2.0mm
- H025=2.5mm

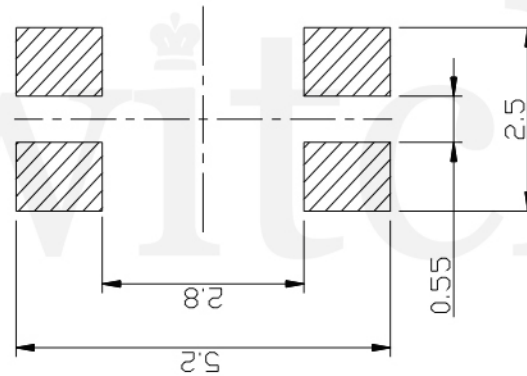
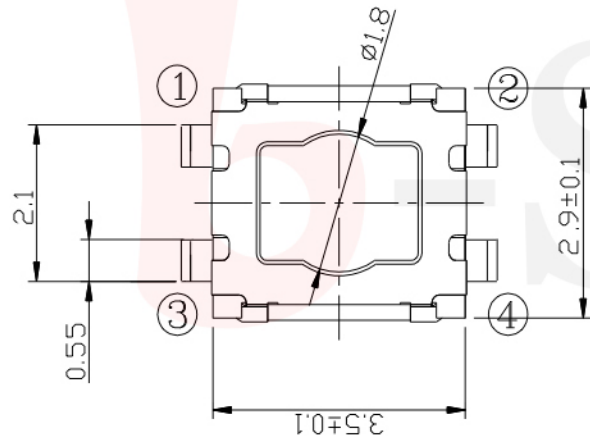
**Switch lifetime (Force)**

L1=100,000 Cycles

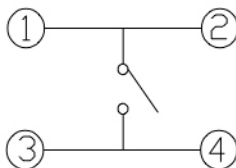
**G-Switch Specification:**

Operating temperature range: -30°C to +85°C  
 Rating: 50mA, 12V DC  
 Insulation resistance: 100MΩ min. 100V DC  
 Dielectric strength: 250V AC for 1 min  
 Contact resistance: 100mΩ max.  
 Travel: 0.15±0.05mm

品赞科技



P. C. B LAND DIMENSION



CIRCUIT DIAGRAM



**G-Switch Electronic (HongKong) CO.,Ltd.**

Unless otherwise specified, Tolerance:  
 X. ±0.30  
 X.x ±0.20  
 X.xx ±0.15  
 X.xxx ±0.10  
 Angles ±3°

DESIGN	陈锋枫	DATE	2019.05.29
CHECKED		DATE	
APPROVED		DATE	
<a href="http://www.dg-switch.com">http://www.dg-switch.com</a>			
TEL:0769-82388879			

Molde code:		
GT-TS034-HXXX-LX		
REV.: X1	SCALE: 4:1	UNIT: mm
SIZE: A4	SHEET: 1/1	