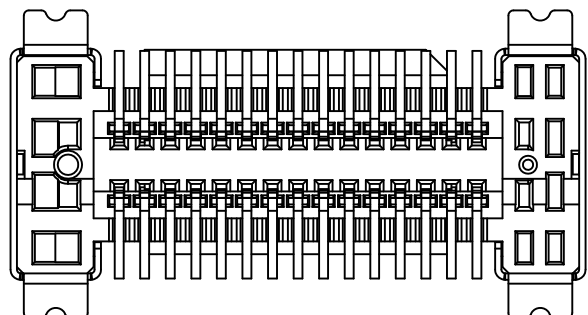
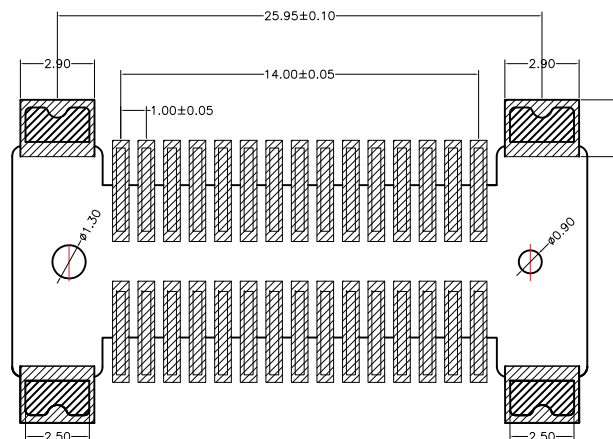
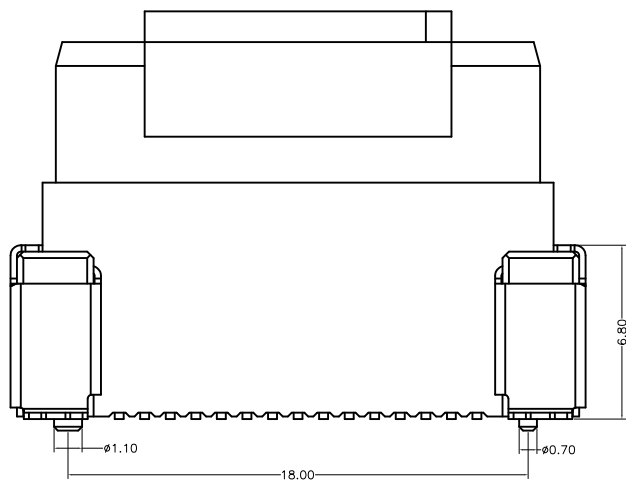
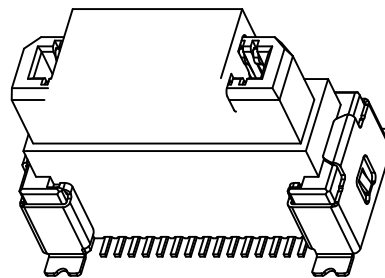


NOTES: MATERIAL & FINISH

- 1.MATERIAL:
 HOUSING:LCP(UL 94V-0)
 ACTUATOR:LCP(UL 94V-0)
 TERMINAL:COPPER ALLOY
 SOLDER PIN:COPPER ALLOY
- 2.PLATING:
 TERMINAL:GOLD FLASH OVER NICKEL
 SOLDER PIN:TIN OVER NICKEL(LEAD FREE)
- 3.ORDER INFORMATION

THD1019 - 30 B - GF
 NO. OF CONTACTS



深圳市台华达科技有限公司 SHENZHENSHI THD ELECTRONICS CO., LTD.				PART NO. THD1019-30B-GF	
GENERAL TOLERANCE UNLESS OTHERWISE SPECIFIED X.X ±0.25 X.XX ±0.15 X.XXX ±0.1 ANG. ±3°		DRAWN <i>Jim</i> 2012.05.24		CHECKED <i>Jim</i> 2012.05.24	
APPROVED 黄德进		TITLE: 1.0 PITCH BOTOB0 CONN. LOWER CONTACT H=20mm 公座			
SHEET 1/2				UNIT MM	SCALE 10:1
A Release REV. REVISIONS		Jacky CHK	2012/05/24 DATE	SIZE A4	REV A