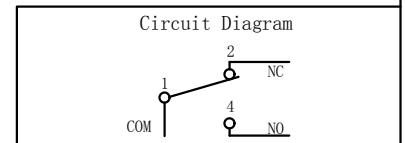
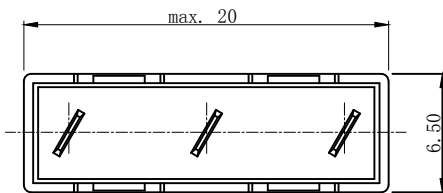
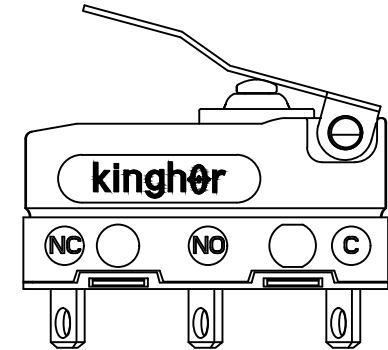
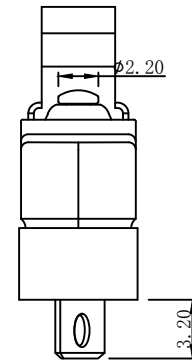
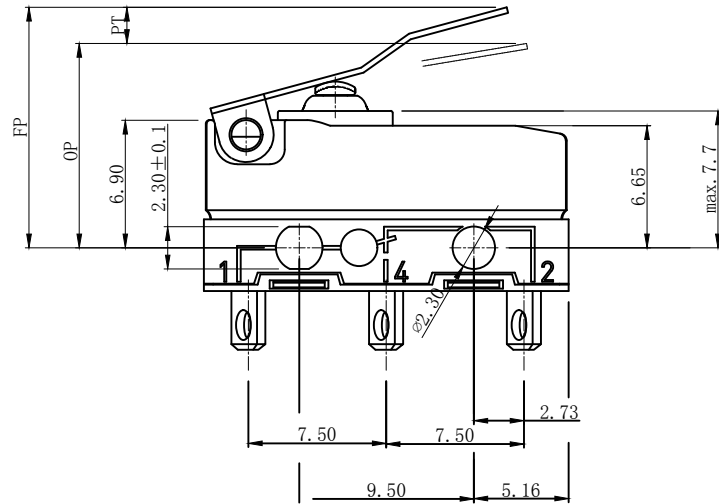


REV	MARK	DESCRIPTION	DRAFTED. BY	DATE



CHARACTERISTICS	
OPERATING FORCE (OF):	110gf Max.
RELEASE FORCE (RF):	15gf Min.
OPERATING POSITION:	9.5 ± 1.5 mm.
FREE POSITION :	12.5 mm MAX
PRE TRAVEL:	4.5 mm Max.
DIFFERENTIAL TRAVEL:	0.7 mm Max.
OVER TRAVEL:	0.6mm Min.

ELECTRICAL DATA	
RATING	OPERATING LIFE
10(1.5)A 125/250VAC	10,000 CYCLES

MECHANICAL LIFE	1000,000 CYCLES
GAP TYPE	MICRO
OPERATING TEMP.	-40°C ~ +85°C
WATERPROOF	IP67

OUTLINE DRAWING			
TITLE	H5 SERIES MICRO SWITCH		
MODEL	H5-A1		
PART NO.	H5-A1-1D04H		
DRAFTED BY	Bing Wang	DATE	2020-2-10
CHECKED BY	Hua Bai	DATE	2020-2-10
APPROVED BY	Hong Chen	DATE	2020-2-10

TOLERANCE UNLESS OTHERWISE SPECIFIED						
≤3	1~3	3~10	10~30	30~100	100~200	ANGLE
±0.2	±0.3	±0.4	±0.6	±1.0	±1.5	±3.0°

SCALE	
UNIT	mm
VERSION REV	A1

**KINGHOR**  
SWICHES AND CONTROL EXPERT