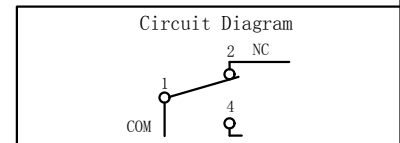
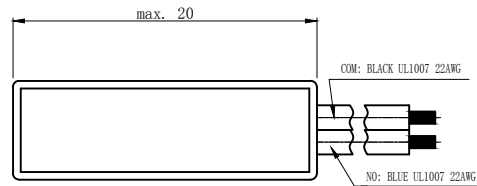
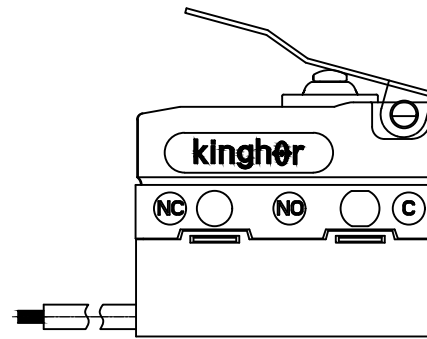
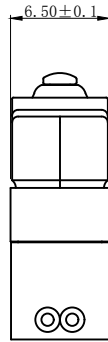
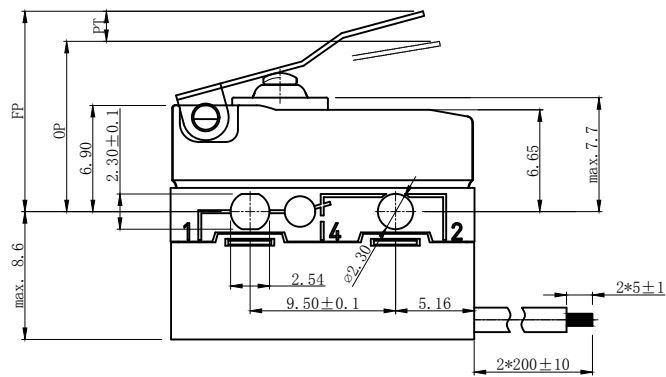


REV	MARK	DESCRIPTION	DRAFTED. BY	DATE



CHARACTERISTICS	
OPERATING FORCE (OF):	110gf Max.
RELEASE FORCE (RF):	15gf Min.
OPERATING POSITION:	9.5 ± 1.5 mm.
FREE POSITION :	12.5 mm MAX
PRE TRAVEL:	4.5 mm Max.
DIFFERENTIAL TRAVEL:	0.7 mm Max.
OVER TRAVEL:	0.6mm Min.

ELECTRICAL DATA	
RATING	OPERATING LIFE
10(1.5)A 125/250VAC	50,000 CYCLES

MECHANICAL LIFE	500,000 CYCLES
GAP TYPE	MICRO
OPERATING TEMP.	-25°C ~ +85°C
WATERPROOF	IP67

OUTLINE DRAWING			
TITLE	H5 SERIES MICRO SWITCH		
MODEL	H5-A1		
PART NO.	H5-A1-1C04W2-2-200		
DRAFTED BY	Bing Wang	DATE	2021-6-18
CHECKED BY	Hua Bai	DATE	2021-6-18
APPROVED BY	Hong Chen	DATE	2021-6-18

TOLERANCE UNLESS OTHERWISE SPECIFIED							
≤3	1~3	3~10	10~30	30~100	100~200	ANGLE	
±0.2	±0.3	±0.4	±0.6	±1.0	±1.5	±3.0°	
						SCALE	
						UNIT	mm
						VERSION REV	A1
KINGHOR SWITCHES AND CONTROL EXPERT							

H
G
F
E
D
C
B
A

1 2 3 4 5 6 7 8 9 10