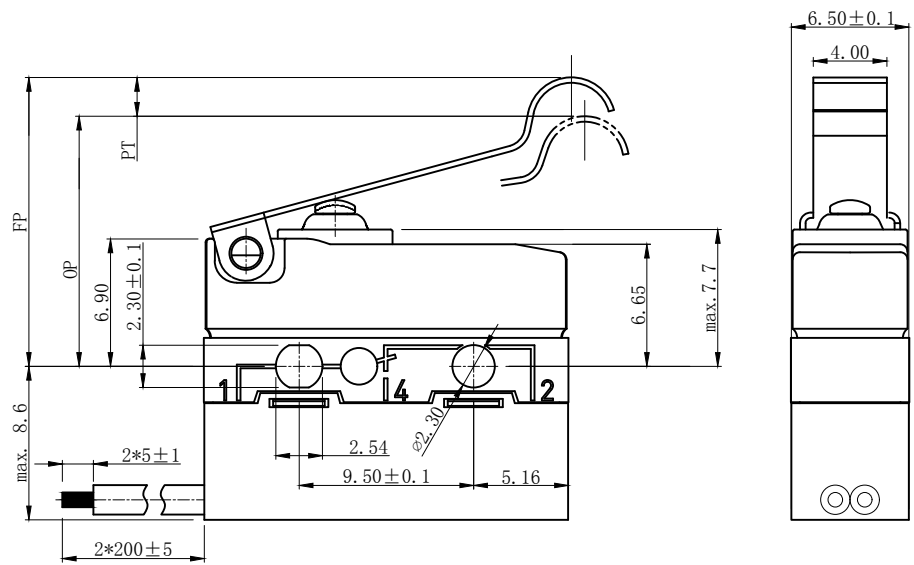


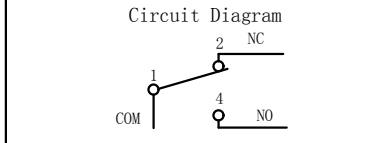
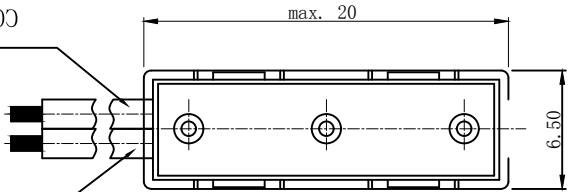
H
G
F
E
D
C
B
A



REV	MARK	DESCRIPTION	DRAFTED. BY	DATE

COM: UJ1007-S2WAG BLACK

NO: UJ1007-S2WAG BLUE



CHARACTERISTICS	
FREE POSITION:	16.0mm Max.
OPERATING FORCE (OF):	80gf Max.
RELEASE FORCE (RF):	12gf Min.
OPERATING POSITION:	12.8±1.5mm.
PRE TRAVEL:	4.7mm Max.
DIFFERENTIAL TRAVEL:	0.8 mm Max.
OVER TRAVEL:	0.7mm Min.

ELECTRICAL DATA	
RATING	OPERATING LIFE
10(1.5)A 125/250VAC	10,000 CYCLES

MECHANICAL LIFE	500,000 CYCLES
GAP TYPE	MICRO
OPERATING TEMP.	-40°C ~ +105°C
WATERPROOF	IP67

OUTLINE DRAWING	
TITLE	H5 SERIES MICRO SWITCH
MODEL	H5
PART NO.	H5-A1-1B05W3-2-200
DRAFTED BY	Bing Wang
DATE	2020-8-7
CHECKED BY	Hua Bai
DATE	2020-8-7
APPROVED BY	Hong Chen
DATE	2020-8-7

TOLERANCE UNLESS OTHERWISE SPECIFIED						
≤3	1~3	3~10	10~30	30~100	100~200	ANGLE
±0.2	±0.3	±0.4	±0.6	±1.0	±1.5	±3.0°

SCALE	
UNIT	mm
VERSION REV	A1

KINGHOR
SWITCHES AND CONTROL EXPERT

1 2 3 4 5 6 7 8 9 10