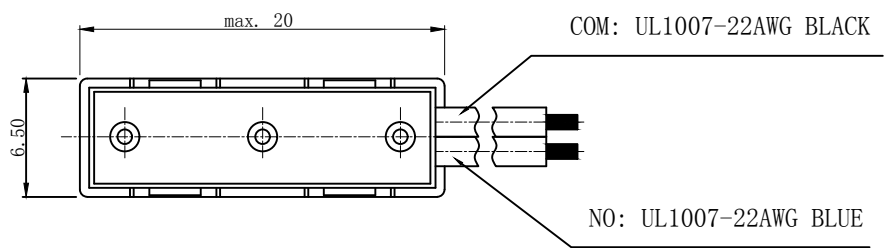
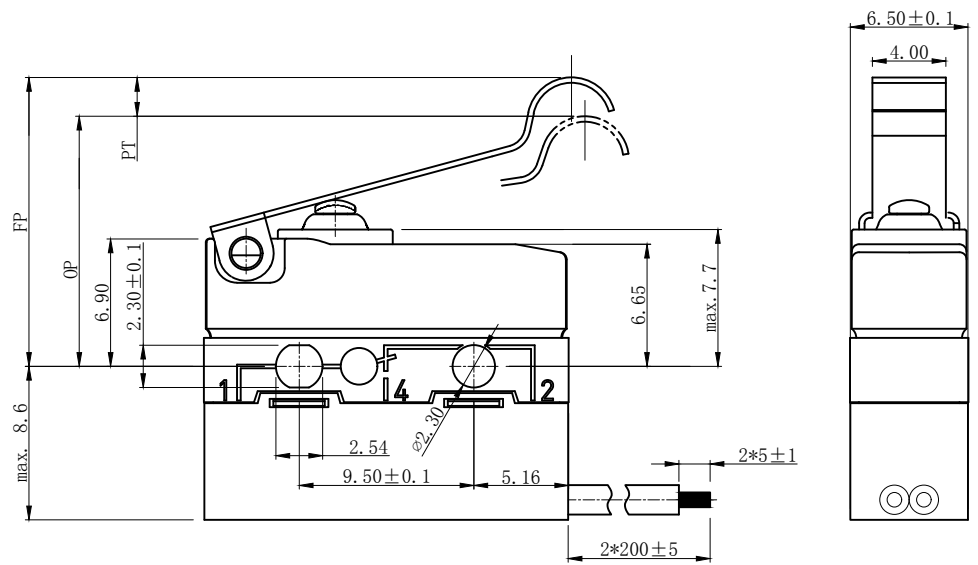
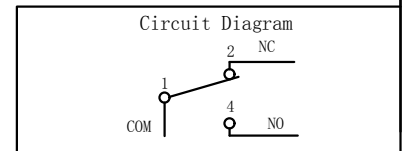


H  
G  
F  
E  
D  
C  
B  
A



REV	MARK	DESCRIPTION	DRAFTED. BY	DATE



CHARACTERISTICS	
FREE POSITION:	16.0mm Max.
OPERATING FORCE (OF):	80gf Max.
RELEASE FORCE (RF):	12gf Min.
OPERATING POSITION:	12.8±1.5mm.
PRE TRAVEL:	4.7mm Max.
DIFFERENTIAL TRAVEL:	0.8 mm Max.
OVER TRAVEL:	0.7mm Min.

ELECTRICAL DATA	
RATING	OPERATING LIFE
10(1.5)A 125/250VAC	10,000 CYCLES

MECHANICAL LIFE	500,000 CYCLES
GAP TYPE	MICRO
OPERATING TEMP.	-40°C ~ +105°C
WATERPROOF	IP67

OUTLINE DRAWING			
TITLE	H5 SERIES MICRO SWITCH		
MODEL	H5		
PART NO.	H5-A1-1B05W2-2-200		
DRAFTED BY	Bing Wang	DATE	2020-8-7
CHECKED BY	Hua Bai	DATE	2020-8-7
APPROVED BY	Hong Chen	DATE	2020-8-7

TOLERANCE UNLESS OTHERWISE SPECIFIED						
≤3	1~3	3~10	10~30	30~100	100~200	ANGLE
±0.2	±0.3	±0.4	±0.6	±1.0	±1.5	±3.0°

  
 SWITCHES AND CONTROL EXPERT

1                      2                      3                      4                      5                      6                      7                      8                      9                      10