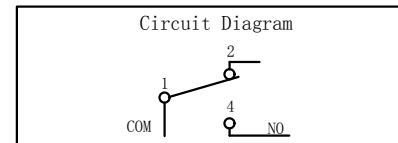
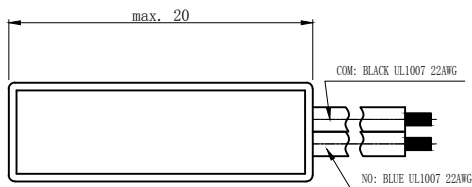
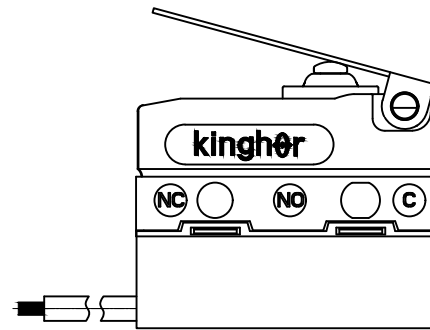
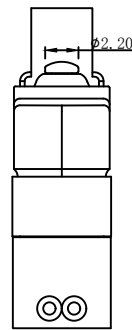
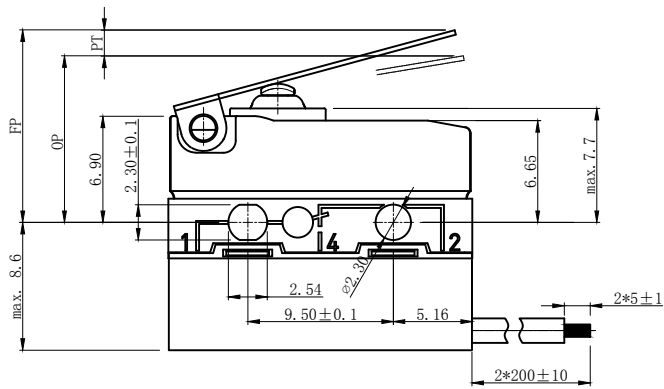


REV	MARK	DESCRIPTION	DRAFTED. BY	DATE



CHARACTERISTICS	
OPERATING FORCE (OF):	90gf Max.
RELEASE FORCE (RF):	15gf Min.
OPERATING POSITION:	9.5±1.5 mm.
FREE POSITION :	13.5 mm MAX
PRE TRAVEL:	5.5 mm Max.
DIFFERENTIAL TRAVEL:	0.7 mm Max.
OVER TRAVEL:	0.6mm Min.

ELECTRICAL DATA	
RATING	OPERATING LIFE
10(1.5)A 125/250VAC	10,000 CYCLES

MECHANICAL LIFE	1000,000 CYCLES
GAP TYPE	MICRO
OPERATING TEMP.	-40°C ~ +85°C
WATERPROOF	IP67

OUTLINE DRAWING		TOLERANCE UNLESS OTHERWISE SPECIFIED									
TITLE	H5 SERIES MICRO SWITCH	≤3	1~3	3~10	10~30	30~100	100~200	ANGLE			
MODEL	H5-A1	±0.2	±0.3	±0.4	±0.6	±1.0	±1.5	±3.0°			
PART NO.	H5-A1-1B01W2-2-200							SCALE			
DRAFTED BY	Bing Wang							DATE	2020-2-10	UNIT	mm
CHECKED BY	Hua Bai							DATE	2020-2-10	VERSION REV	A1
APPROVED BY	Hong Chen							DATE	2020-2-10	<b>KINGHOR</b> SWITCHES AND CONTROL EXPERT	

H  
G  
F  
E  
D  
C  
B  
A

1 2 3 4 5 6 7 8 9 10