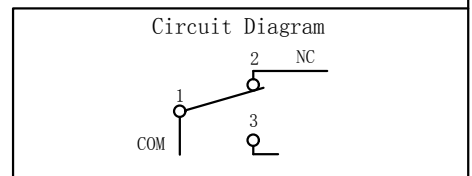
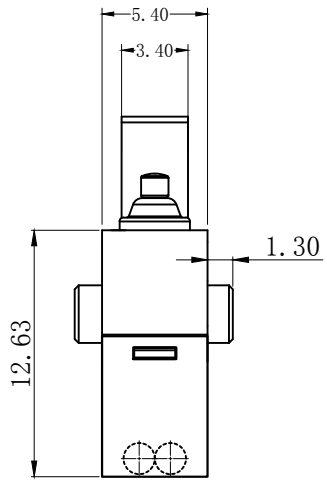
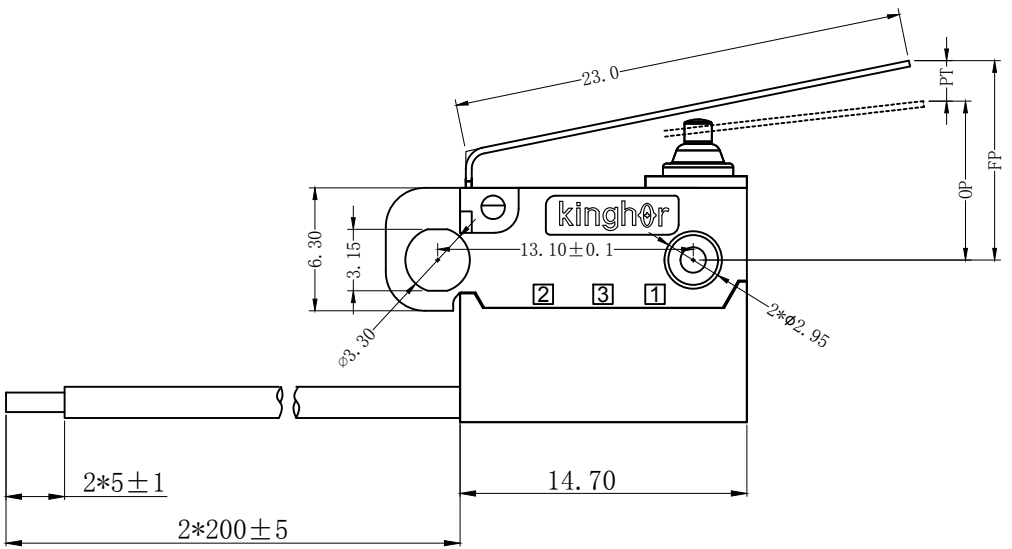
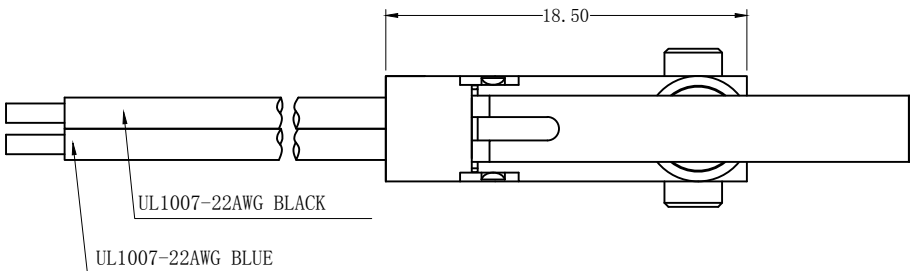


REV	MARK	DESCRIPTION	DRAFTED. BY	DATE



ELECTRICAL DATA	
RATING	OPERATING LIFE
3A 12VDC	100,000 CYCLES
0.1A 48VDC 125/250VAC	100,000 CYCLES

MECHANICAL LIFE	500,000 CYCLES
GAP TYPE	MICRO
OPERATING TEMP	-40°C ~ +85°C
WATERPROOF	IP67

CHARACTERISTICS	
OPERATING FORCE (OF) :	150gf Max.
RELEASE FORCE (RF) :	15gf Min.
OPERATING POSITION:	6.7±0.5 mm.
PRE TRAVEL:	6.3mm Max.
DIFFERENTIAL TRAVEL:	1.0mm Max.
FREE POSITION:	12.5mm Max.

OUTLINE DRAWING				TOLERANCE UNLESS OTHERWISE SPECIFIED						
TITLE	H3 SERIES MICRO SWITCH			≤3	1~3	3~10	10~30	30~100	100~200	ANGLE
MODEL	H3-B1			±0.2	±0.3	±0.4	±0.6	±1.0	±1.5	±3.0°
PART NO.	H3-B1-1B25W2-2-200									
DRAFTED BY	Bing Wang	DATE	2021-6-8							
CHECKED BY	Hua Bai	DATE	2021-6-8							
APPROVED BY	Hong Chen	DATE	2021-6-8							

KINGHOR
SWITCHES AND CONTROL EXPERT