

## 16-Channel White LED Controller for LCD Backlight

### 1 Description

The AS3824 is a 16 channel high precision LED controller for use in LCD-backlight panels. Dynamic power feedback controls the external power supply to guarantee best efficiency. One high accurate global 10 bit DAC can be used to set the LED current as well as each channel has its own additional 8 bit DAC to boost the dynamic range of LED Backlight systems.

Each channel is equipped with an independent PWM generator which can also be synchronized to an external synchronization signal (VSYNC).

A fast mode supports minimum PWM duty cycle operation which helps to further reduce the energy consumption of modern LED Backlight systems.

The PWM generator clock can be generated internally (DPLL) or an external clock source can be connected to the HSYNC input.

Built-in safety features include thermal shutdown as well as open and short LED detection. The device is programmable via serial interface (SPI).

### 2 Features

- Supports all LED backlight topologies
  - » No limit of VLED or ILED, device is not exposed to high voltage/high current
- Optimum power savings through local dimming
  - » 16 fully flexible 12 bit PWM generators (period, high time, delay, reverse)
- One global highly accurate 10 bit DAC which sets the LED current ( $\pm 0.5\%$  accuracy)
- High dynamic range boost function
  - » 16 independent 8 bit DACs can be used to boost/decrease LED current within certain frames
- Global dimming mode option
  - » AS3824E/E1 are pre-programmed as external PWM mode (DPWM mode), V<sub>SYNC</sub> pin is used as PWM input. AS3824A/A1 are pre-programmed as SPI mode
- VSYNC and HSYNC inputs, as well as integrated digital PLL for synchronization with TV frame
- Lowest BOM
  - » Due to 2 pin concept of the output channel: no HV protection, no cascade FETs
- Feedback function is compatible to every DC-DC architecture and configurable via SPI
- Short/OPEN LED detection, temperature shutdown, register lock/unlock, SPI transfer checksum

### 3 Applications

- HD TVs
- UHD TVs
- LCD Monitors

16-Channel White LED Controller for LCD Backlight

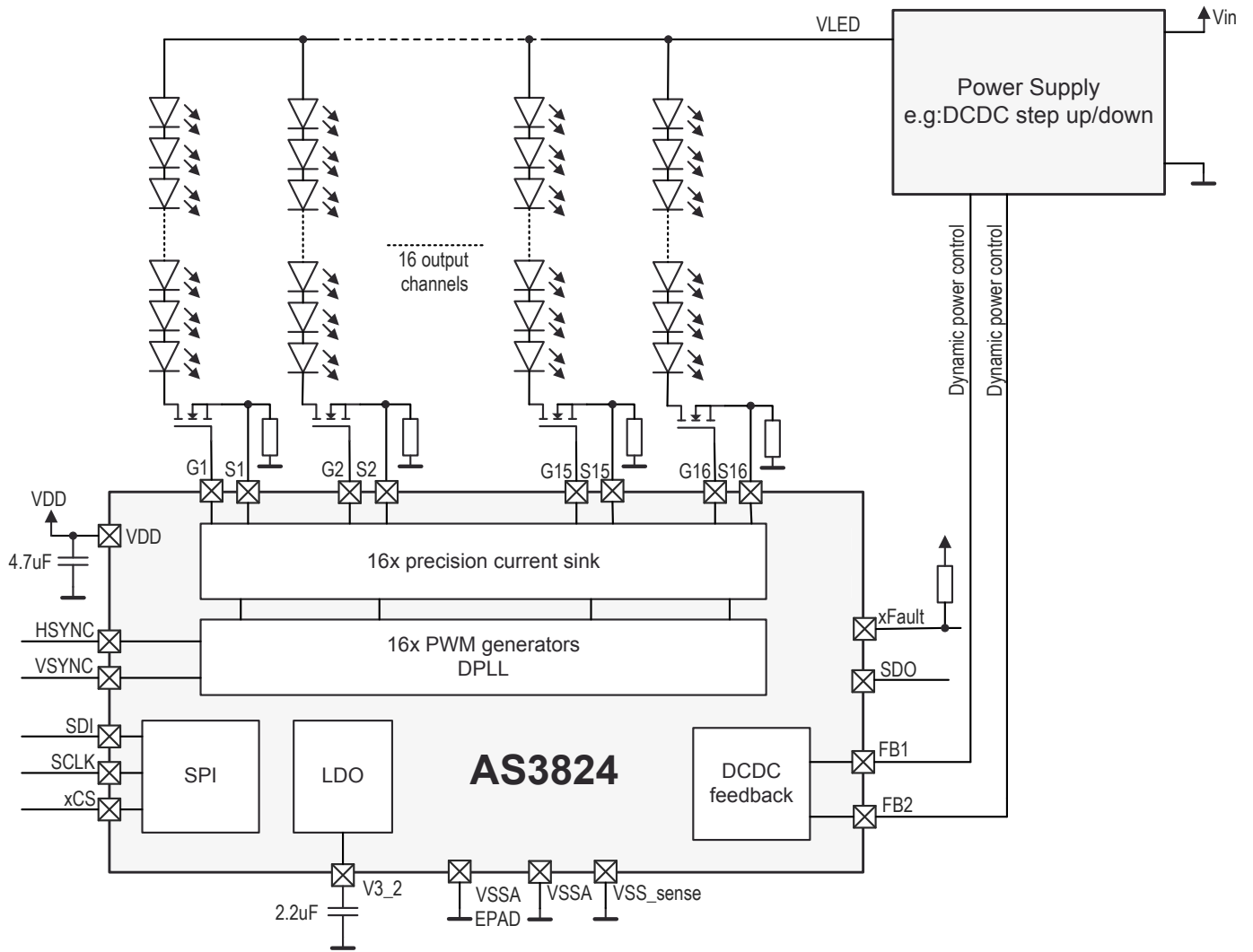


Figure 3.1 : AS3824 Typical Application

16-Channel White LED Controller for LCD Backlight

4 Pinout Description

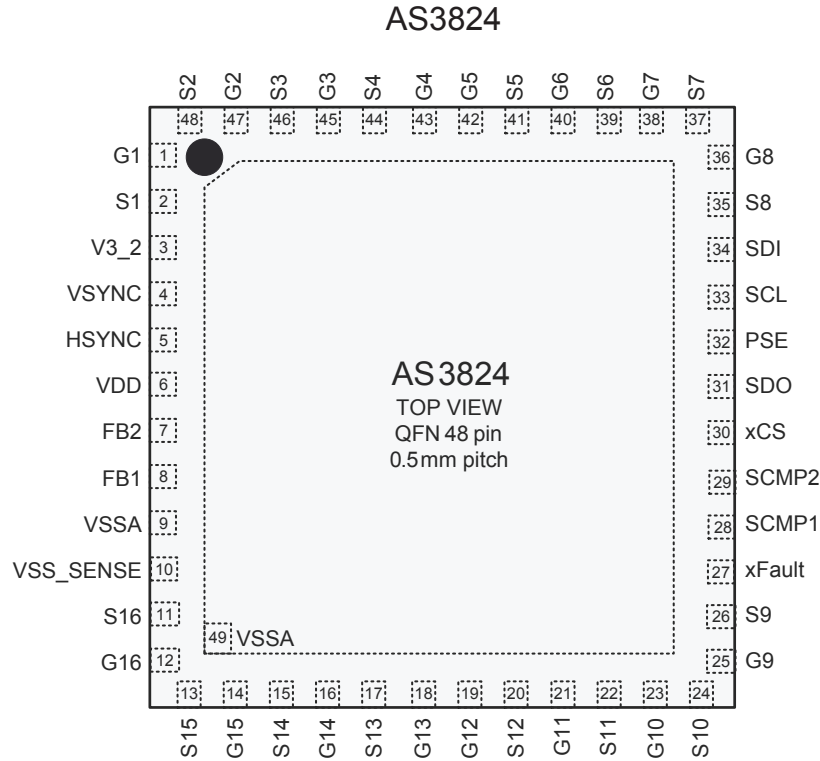


Figure 4.1 : Pin Diagram of AS3824 (Top View)

Pin Number	Pin Name	Type	Pin Description	If Not Used
1	G1	A_I/O	Connect to gate of external transistor	Connect to S1
2	S1	A_I/O	Connect to source of external transistor	Connect to G1
3	V3_2	P	Digital supply output. Connect 2.2uF capacitor to GND	
4	VSYNC	DI_PD	Vertical sync frequency. PWM generator reset	Leave open
5	HSYNC	DI_PD	Clock input for PWM generators	Leave open
6	VDD	P	Supply Voltage input Connect 4.7uF bypass capacitor to GND	
7	FB2	A_I/O	Power supply feedback output 2	Leave open
8	FB1	A_I/O	Power supply feedback output 1	Leave open
9	VSSA	P	GND	
10	VSS_SENSE	P	GND	
11	S16	A_I/O	Connect to source of external transistor	Connect to G16

## 16-Channel White LED Controller for LCD Backlight

### 4 Pinout Description (cont'd)

Pin Number	Pin Name	Type	Pin Description	If Not Used
12	G16	A_I/O	Connect to gate of external transistor	Connect to S16
13	S15	A_I/O	Connect to source of external transistor	Connect to G15
14	G15	A_I/O	Connect to gate of external transistor	Connect to S15
15	S14	A_I/O	Connect to source of external transistor	Connect to G14
16	G14	A_I/O	Connect to gate of external transistor	Connect to S14
17	S13	A_I/O	Connect to source of external transistor	Connect to G13
18	G13	A_I/O	Connect to gate of external transistor	Connect to S13
19	G12	A_I/O	Connect to gate of external transistor	Connect to S12
20	S12	A_I/O	Connect to source of external transistor	Connect to G12
21	G11	A_I/O	Connect to gate of external transistor	Connect to S11
22	S11	A_I/O	Connect to source of external transistor	Connect to G11
23	G10	A_I/O	Connect to gate of external transistor	Connect to S10
24	S10	A_I/O	Connect to source of external transistor	Connect to G10
25	G9	A_I/O	Connect to gate of external transistor	Connect to S9
26	S9	A_I/O	Connect to source of external transistor	Connect to G9
27	xFAULT	DO_OD	Open drain fault output, connect pull-up to V3_2	Leave open
28	SCMP1	AI	Input of short comparator 1	Connect to VSS
29	SCMP2	AI	Input of short comparators 2	Connect to VSS
30	xCS	DI_PU	SPI interface chip select	Leave open
31	SDO	DO	SPI interface data output. Tristate output	Leave open
32	PSE	DI	Phase Shift enable	Connect to VSS
33	SCL	DI_PD	SPI interface clock	Leave open
34	SDI	DI_PD	SPI interface data input	Leave open
35	S8	A_I/O	Connect to source of external transistor	Connect to G8
36	G8	A_I/O	Connect to gate of external transistor	Connect to S8
37	S7	A_I/O	Connect to source of external transistor	Connect to G7
38	G7	A_I/O	Connect to gate of external transistor	Connect to S7
39	S6	A_I/O	Connect to source of external transistor	Connect to G6
40	G6	A_I/O	Connect to gate of external transistor	Connect to S6

## 16-Channel White LED Controller for LCD Backlight

### 4 Pinout Description (cont'd)

Pin Number	Pin Name	Type	Pin Description	If Not Used
41	S5	A I/O	Connect to source of external transistor	Connect to G5
42	G5	A I/O	Connect to gate of external transistor	Connect to S5
43	G4	A I/O	Connect to gate of external transistor	Connect to S4
44	S4	A I/O	Connect to source of external transistor	Connect to G4
45	G3	A I/O	Connect to gate of external transistor	Connect to S3
46	S3	A I/O	Connect to source of external transistor	Connect to G3
47	G2	A I/O	Connect to gate of external transistor	Connect to S2
48	S2	A I/O	Connect to source of external transistor	Connect to G2
EP	VSSA	P	Exposed PAD. Connect to VSSP	

**Note 1.** If an output channel "X" is not used, connect unused pins Gx and Sx together.

**A\_I/O:** Analog pin

**P:** Power pin

**DO:** Digital Output

**DO\_OD:** Digital Output Open Drain

**DI:** Digital Input

**DI\_PU:** Digital Input with Pull Up resistor

**DI\_PD:** Digital Input with Pull Down resistor

## 16-Channel White LED Controller for LCD Backlight

### 5 Absolute Maximum Ratings

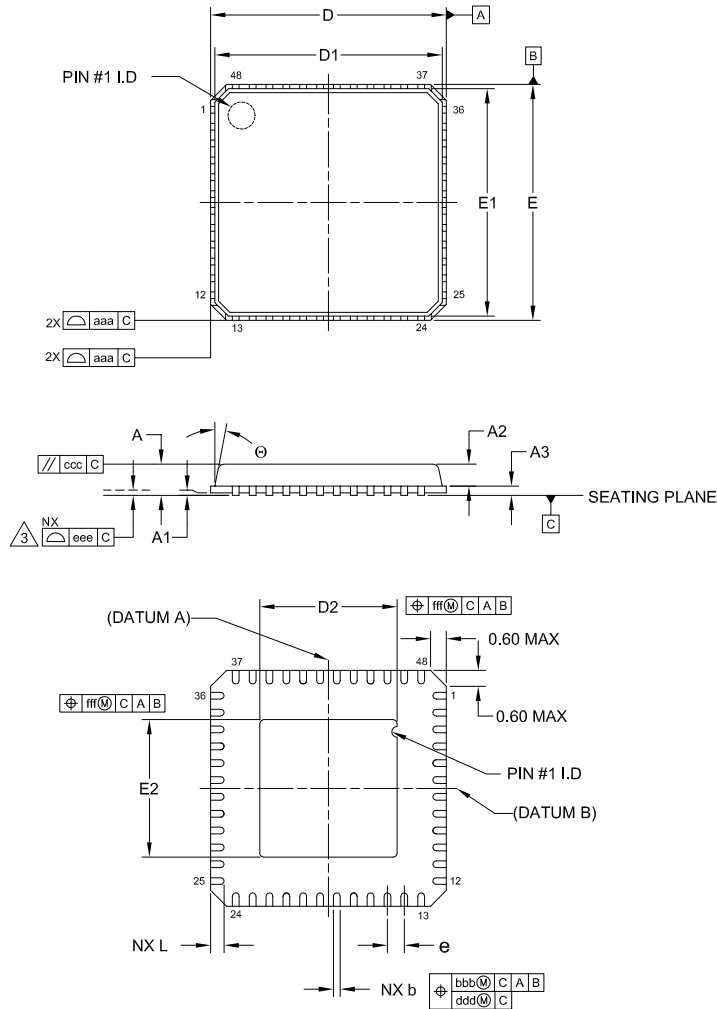
Absolute maximum ratings are the parameter values or ranges which can cause permanent damage if exceeded. For maximum safe operating conditions, refer to the Electrical Characteristics section.

Parameter	Symbol	Conditions	Min	Max	Unit
<b>Electrical Parameters</b>					
Supply Voltage to Ground	$V_{DDMAX} / V_{GND}$	Applicable for pin VDD	-0.3	7	V
Maximum Voltage Analog pins	$V_{ANAMAX}$	Applicable for pins: FB1, FB2, G1-G16, S1-S16, VSYNC, HSYNC	-0.3	7	V
Maximum Voltage Digital pins	$V_{DIGMAX}$	Applicable for pins: V3_2, SDI, SDO, SCL, xCS, SCMP1, SCMP2, xFAULT, PSE	-0.3	5	V
Input Current (latch-up immunity)	$I_{SCR}$	JEDEC JESD78D Nov 2011	±100		mA
<b>Electrostatic Discharge</b>					
Electrostatic Discharge HBM	$ESD_{HBM}$	JS-001-2012	±2000		V
Electrostatic Discharge CDM	$ESD_{CDM}$	JEDEC JESD22-C101F Oct 2013	±500		V
Electrostatic Discharge MM	$ESD_{MM}$	JESD22-A115C	±200		V
<b>Temperature Ranges and Storage Conditions</b>					
Junction to Ambient Thermal Resistance	$R_{THJA}$	$R_{THJA}$ typical 35°C/W			°C/W
Operating Junction Temperature	$T_J$		-20	115	°C
Storage Temperature Range	$T_{STRG}$		-55	150	°C
Package Body Temperature	$T_{BODY}$	IPC/JEDEC J-STD-020 The reflow peak soldering temperature (body temperature) is specified according to IPC/JEDEC J-STD-020 "Moisture/Reflow Sensitivity Classification for Non-hermetic Solid State Surface Mount Devices." The lead finish for Pb-free leaded packages is "Matte Tin" (100% Sn)		260	°C
Relative Humidity (non-condensing)	$RH_{NC}$		5	85	%
Moisture Sensitivity Level	MSL	Maximum floor life time of 168h	3		

**Note 1.** Stresses beyond those listed under "Absolute Maximum Ratings" may cause permanent damage to the device. These are stress ratings only, so functional operation of the device at these or any other conditions beyond those indicated in the Electrical Characteristics of the specification is not implied. Exposure to absolute maximum rating conditions for extended periods may affect device reliability.

16-Channel White LED Controller for LCD Backlight

6 Physical Dimensions



REF.	MIN	NOM	MAX
A	0.80	0.90	1.00
A1	0	0.02	0.05
A2	-	0.65	1.00
A3	-	0.20 REF	-
L	0.35	0.40	0.45
θ	0°	-	14°
b	0.18	0.25	0.30
D	-	7.00 BSC	-
E	-	7.00 BSC	-
e	-	0.50 BSC	-
D2	4.00	4.10	4.20
E2	4.00	4.10	4.20
D1	-	6.75 BSC	-
E1	-	6.75 BSC	-
aaa	-	0.15	-
bbb	-	0.10	-
ccc	-	0.10	-
ddd	-	0.05	-
eee	-	0.08	-
fff	-	0.10	-
N	-	48	-

- NOTE:
- DIMENSIONING AND TOLERANCING CONFORM TO ASME Y14.5M-1994.
  - ALL DIMENSIONS ARE IN MILLIMETERS (ANGLES IN DEGREES)
  - COPLANARITY APPLIES TO THE EXPOSED HEAT SLUG AS WELL AS THE TERMINAL.
  - RADIUS ON TERMINAL IS OPTIONAL.
  - N IS THE TOTAL NUMBER OF TERMINALS.

Figure 6.1 : QFN-48 package outline drawing

---

**16-Channel White LED Controller for LCD Backlight**

---

**7 Ordering Information**

Part Number	Ordering Code	Package	Description
AS3824A1	AS3824A1-ZQFT	48-Pin QFN	Tape & Reel <sup>1</sup>
AS3824E1	AS3824E1-ZQFT	48-Pin QFN	Tape & Reel <sup>1</sup>

**Note 1.** Tape & Reel packing quantity is 4,000/reel. Minimum packing quantity is 4,000.



## 16-Channel White LED Controller for LCD Backlight

### Disclaimer

Unless otherwise agreed in writing, the Dialog Semiconductor products (and any associated software) referred to in this document are not designed, authorized or warranted to be suitable for use in life support, life-critical or safety-critical systems or equipment, nor in applications where failure or malfunction of a Dialog Semiconductor product (or associated software) can reasonably be expected to result in personal injury, death or severe property or environmental damage. Dialog Semiconductor and its suppliers accept no liability for inclusion and/or use of Dialog Semiconductor products (and any associated software) in such equipment or applications and therefore such inclusion and/or use is at the customer's own risk.

Information in this document is believed to be accurate and reliable. However, Dialog Semiconductor does not give any representations or warranties, express or implied, as to the accuracy or completeness of such information. Dialog Semiconductor furthermore takes no responsibility whatsoever for the content in this document if provided by any information source outside of Dialog Semiconductor.

Dialog Semiconductor reserves the right to change without notice the information published in this document, including, without limitation, the specification and the design of the related semiconductor products, software and applications. Notwithstanding the foregoing, for any automotive grade version of the device, Dialog Semiconductor reserves the right to change the information published in this document, including, without limitation, the specification and the design of the related semiconductor products, software and applications, in accordance with its standard automotive change notification process.

Applications, software, and semiconductor products described in this document are for illustrative purposes only. Dialog Semiconductor makes no representation or warranty that such applications, software and semiconductor products will be suitable for the specified use without further testing or modification. Unless otherwise agreed in writing, such testing or modification is the sole responsibility of the customer and Dialog Semiconductor excludes all liability in this respect.

Nothing in this document may be construed as a license for customer to use the Dialog Semiconductor products, software and applications referred to in this document. Such license must be separately sought by customer with Dialog Semiconductor.

All use of Dialog Semiconductor products, software and applications referred to in this document is subject to Dialog Semiconductor's [Standard Terms and Conditions of Sale](#), available on the company website ([www.dialog-semiconductor.com](http://www.dialog-semiconductor.com)) unless otherwise stated.

Dialog, Dialog Semiconductor and the Dialog logo are trademarks of Dialog Semiconductor Plc or its subsidiaries. All other product or service names and marks are the property of their respective owners.

© 2020 Dialog Semiconductor. All rights reserved.

### RoHS Compliance

Dialog Semiconductor's suppliers certify that its products are in compliance with the requirements of Directive 2011/65/EU of the European Parliament on the restriction of the use of certain hazardous substances in electrical and electronic equipment. RoHS certificates from our suppliers are available on request.

## Contacting Dialog Semiconductor

**United Kingdom (Headquarters)**  
Dialog Semiconductor (UK) LTD  
Phone: +44 1793 757700

**Germany**  
Dialog Semiconductor GmbH  
Phone: +49 7021 805-0

**The Netherlands**  
Dialog Semiconductor B.V.  
Phone: +31 73 640 8822

**Email**  
[info\\_pcbg@diasemi.com](mailto:info_pcbg@diasemi.com)

**North America**  
Dialog Semiconductor Inc.  
Phone: +1 408 845 8500

**Japan**  
Dialog Semiconductor K. K.  
Phone: +81 3 5769 5100

**Taiwan**  
Dialog Semiconductor Taiwan  
Phone: +886 281 786 222

**Web site:**  
[www.dialog-semiconductor.com](http://www.dialog-semiconductor.com)

**Hong Kong**  
Dialog Semiconductor Hong Kong  
Phone: +852 2607 4271

**Korea**  
Dialog Semiconductor Korea  
Phone: +82 2 3469 8200

**China (Shenzhen)**  
Dialog Semiconductor China  
Phone: +86 755 2981 3669

**China (Shanghai)**  
Dialog Semiconductor China  
Phone: +86 21 5424 9058