



CeraLink®

Capacitors for fast-switching semiconductors

| | |
|-----------------------|--------------------------------|
| Series/Type: | Low profile (LP) series |
| Ordering code: | B58031* |
| Date: | 2019-01-07 |
| Version: | 6.1 |

Applications

- Power converters and inverters
- DC link/snubber capacitor for power converters and inverters



Features

- High ripple current capability
- High temperature robustness
- Low equivalent serial inductance (ESL)
- Low equivalent serial resistance (ESR)
- Low power loss
- Low dielectric absorption
- Optimized for high frequencies up to several MHz
- Increasing capacitance with DC bias up to operating voltage
- High capacitance density
- Minimized dielectric loss at high temperatures
- Qualification based on AEC-Q200 rev. D
- Suitable for reflow soldering only

Construction

- RoHS-compatible PLZT ceramic (lead lanthanum zirconium titanate)
- Copper inner electrodes
- Silver outer electrodes
- Silver coated copper-invar lead frame

General technical data

| | | | |
|------------------------------|---------------------|--------------|----|
| Dissipation factor | $\tan \delta$ | < 0.02 | |
| Insulation resistance | $R_{ins, typ}^{1)}$ | > 1 | GΩ |
| Operating device temperature | T_{device} | -40 ... +150 | °C |
| Weight of device | | approx.. 1.3 | g |

¹⁾ Typical insulation resistance, measured at operating voltage V_{op} and measurement time > 240s, 25 °C

Electrical specifications and ordering codes

| Lead type | V _{pk, max} V | V _R V | V _{op} V | C _{nom, typ} μF | C _{eff, typ} μF | C ₀ μF | Ordering code |
|-----------|---------------------------|---------------------|----------------------|-----------------------------|-----------------------------|----------------------|-----------------|
| L-style | 650 | 500 | 400 | 1 | 0.6 | 0.35 ±20% | B58031I5105M062 |
| J-style | 650 | 500 | 400 | 1 | 0.6 | 0.35 ±20% | B58031U5105M062 |
| L-style | 1000 | 700 | 600 | 0.5 | 0.25 | 0.14 ±20% | B58031I7504M062 |
| J-style | 1000 | 700 | 600 | 0.5 | 0.25 | 0.14 ±20% | B58031U7504M062 |
| L-style | 1300 | 900 | 800 | 0.25 | 0.13 | 0.07 ±20% | B58031I9254M062 |
| J-style | 1300 | 900 | 800 | 0.25 | 0.13 | 0.07 ±20% | B58031U9254M062 |

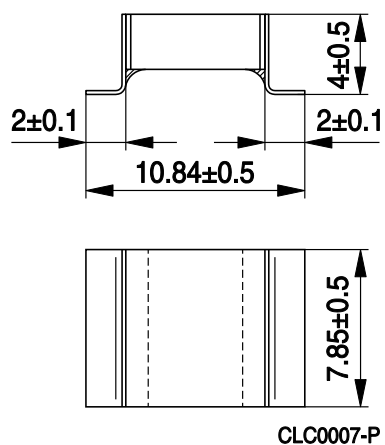
Typical values as a design reference for CeraLink applications

| Rated voltage V _R V | ESR 0 V _{DC} , 0.5 V _{RMS} , 25 °C, 1 kHz Ω | ESR 0 V _{DC} , 0.5 V _{RMS} , 25 °C, 1 MHz mΩ | ESL nH | I _{op} ¹⁾ 100 kHz T _{amb} = 85 °C A _{RMS} | I _{op} ¹⁾ 100 kHz T _{amb} = 105 °C A _{RMS} |
|--|---|--|---------------|--|---|
| 500 | 3 | 12 | 3 | 11 | 10 |
| 700 | 6 | 24 | 3 | 7 | 6 |
| 900 | 14 | 45 | 3 | 5 | 5 |

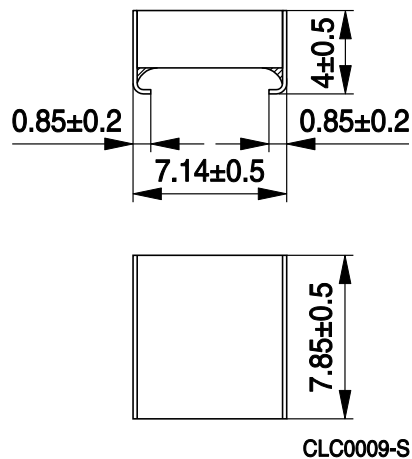
¹⁾ Normal operating current without forced cooling at T_{device} = 150 °C. Higher values permissible at reduced lifetime.

Dimensional drawings

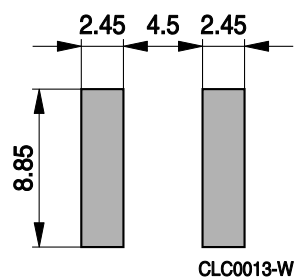
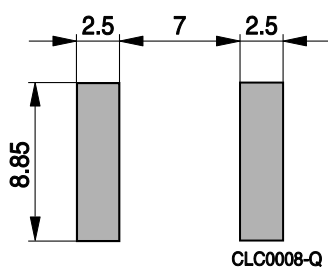
L-style



J-style



Recommended solder pads



Dimensions in mm

L-style



J-style



Manufacturer's logo

CeraLink type

X.XX = Nominal capacitance (1, 0.5, 0.25)

YYY = Rated voltage (500, 700, 900)

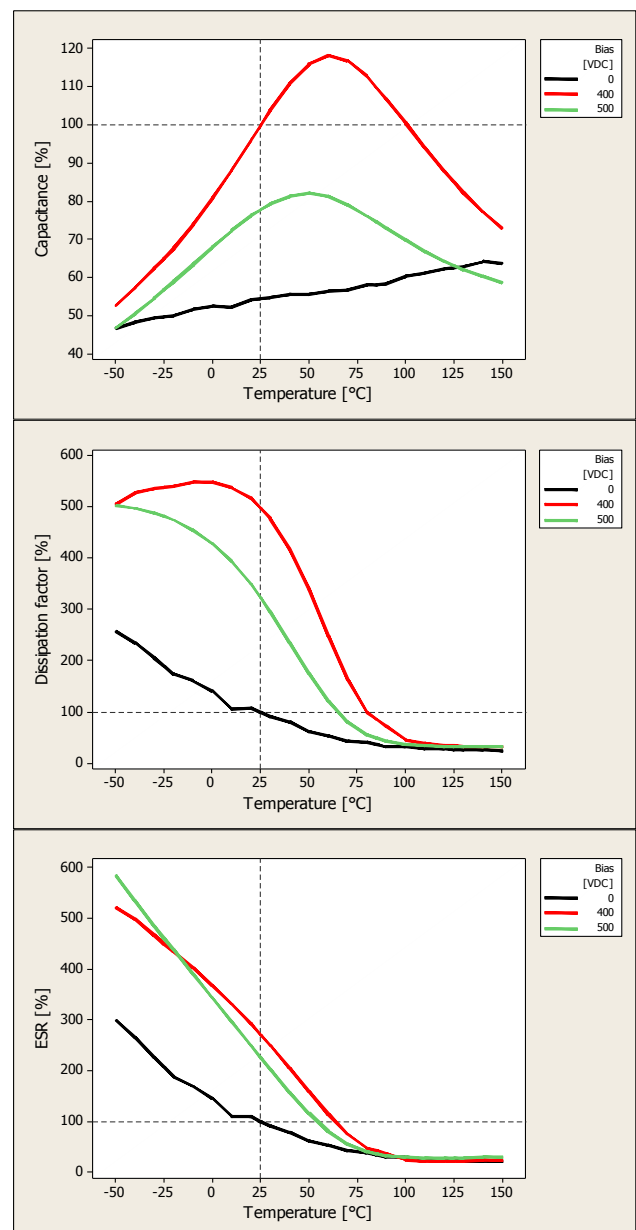
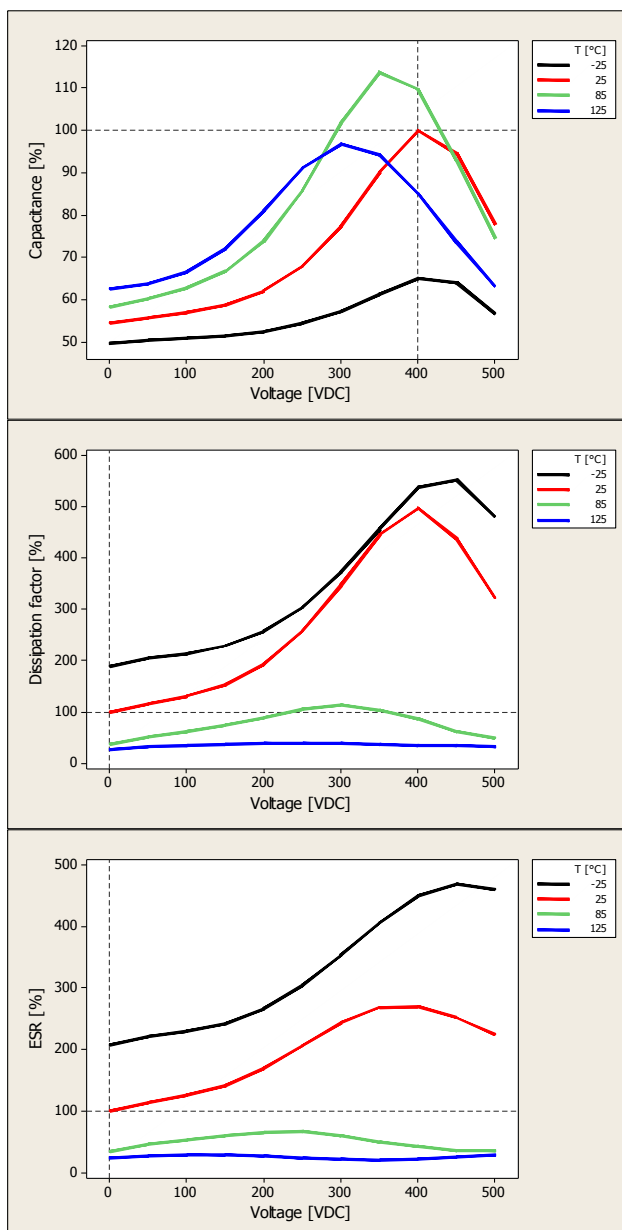
Note that polarity is only for incoming inspection purposes and it does not affect operation. If put under reverse rated voltage V_R , CeraLink is repoled and works identically.

Typical characteristics as a function of temperature and voltage $V_R = 500\text{ V}$

($V_{AC} = 0.5 V_{RMS}$, frequency = 1 kHz)

All given temperatures are device temperatures.

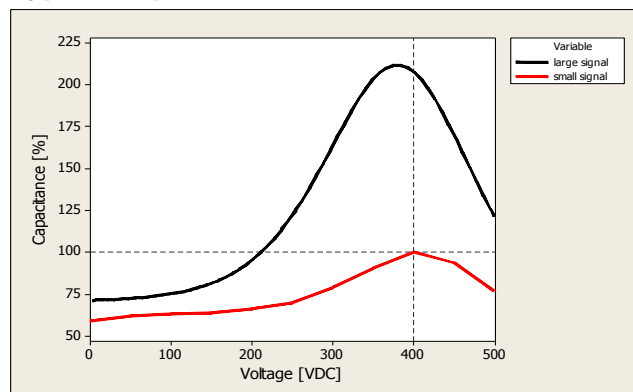
The curves show the relative changes of the capacitance, dissipation factor and ESR. The 100% values correspond to $C_{eff,typ}$ and $\tan \delta$ which are given on page 2 and 3 of this data sheet.



Application Notes

Further typical electrical characteristics as a design reference for CeraLink applications.

Typical capacitance values as a function of voltage $V_R = 500\text{ V}$



Large signal capacitance:

Quasistatic (slow variation of the voltage), 25 °C

The nominal capacitance is defined as the large signal capacitance at V_{op} .

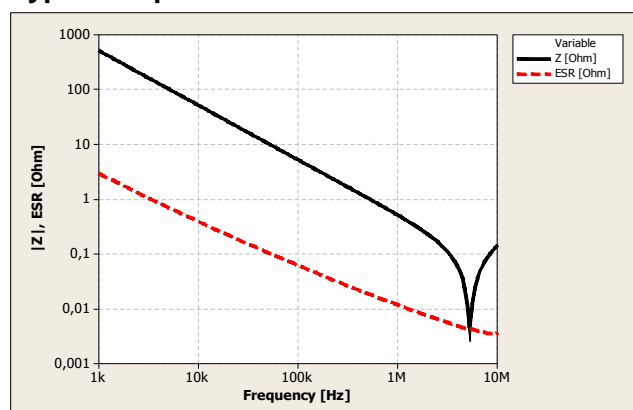
See glossary for further information.

Small signal capacitance:

0.5 V_{RMS} , 1 kHz, 25 °C

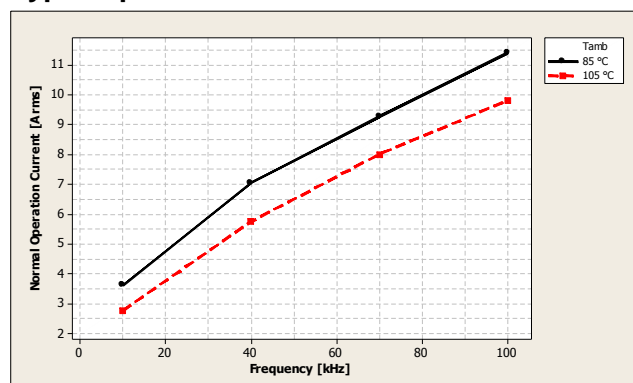
The effective capacitance is defined as the small signal capacitance at V_{op} .

Typical impedance and ESR as a function of frequency $V_R = 500\text{ V}$



$V_{DC} = 0\text{ V}$, $V_{AC} = 0.5\text{ V}_{RMS}$, $T_{device} = 25\text{ °C}$

Typical permissible current as a function of frequency $V_R = 500\text{ V}$



Measurement performed at V_{op} .

The values correspond to a device temperature of 150 °C.

No forced cooling was used.

Note that with additional cooling the typical permissible current can be significantly higher.

Aging

The capacitance has an aging behavior which shows a decrease of capacitance with time.

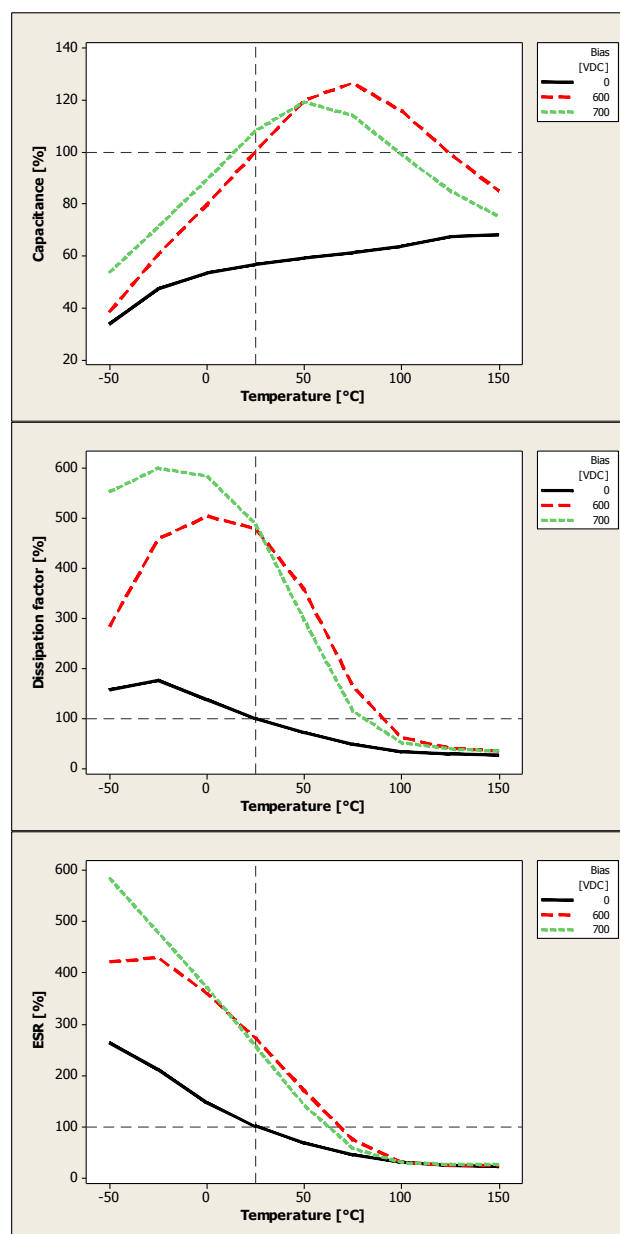
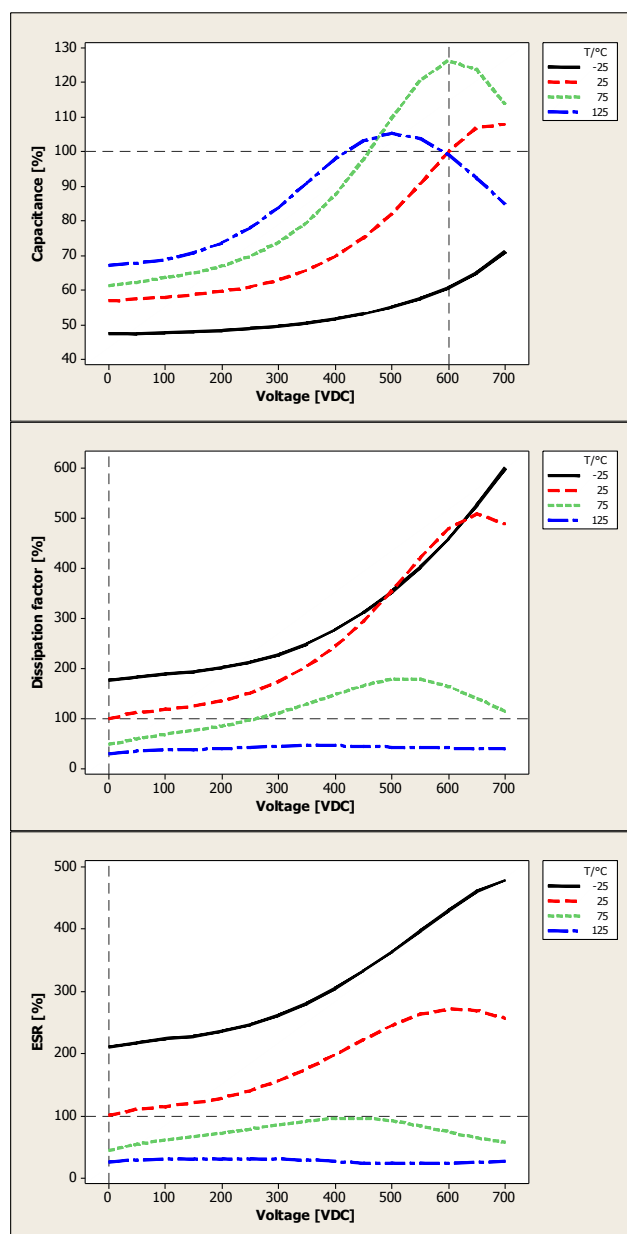
The typical aging rate is about 2.5% per logarithmic decade in hours.

Typical characteristics as a function of temperature and voltage $V_R = 700\text{ V}$

($V_{AC} = 0.5 V_{RMS}$, frequency = 1 kHz)

All given temperatures are device temperatures.

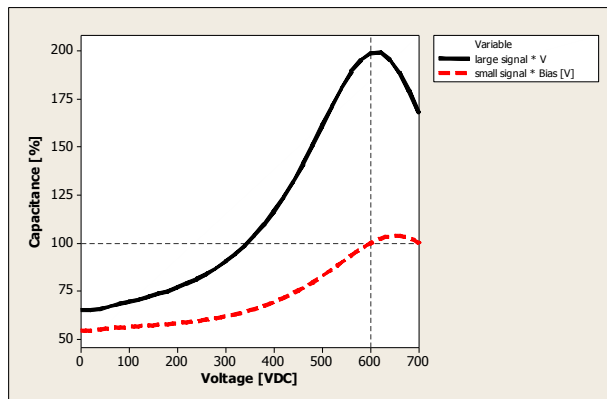
The curves show the relative changes of the capacitance, dissipation factor and ESR. The 100% values correspond to $C_{eff, typ}$ and $\tan \delta$ which are given on page 2 and 3 of this data sheet.



Application Notes

Further typical electrical characteristics as a design reference for CeraLink applications.

Typical capacitance values as a function of voltage $V_R = 700\text{ V}$



Large signal capacitance:

Quasistatic (slow variation of the voltage), 25 °C

The nominal capacitance is defined as the large signal capacitance at V_{op} .

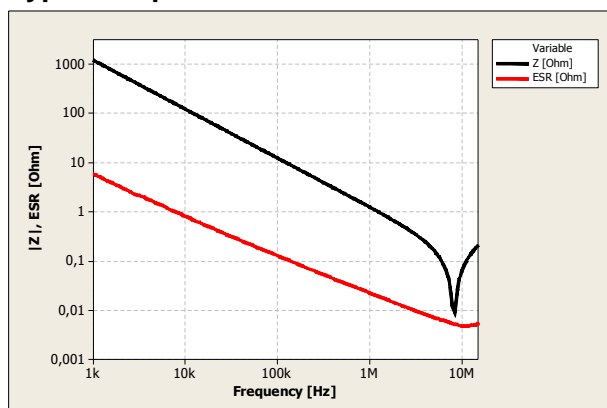
See glossary for further information.

Small signal capacitance:

0.5 V_{RMS} , 1 kHz, 25 °C

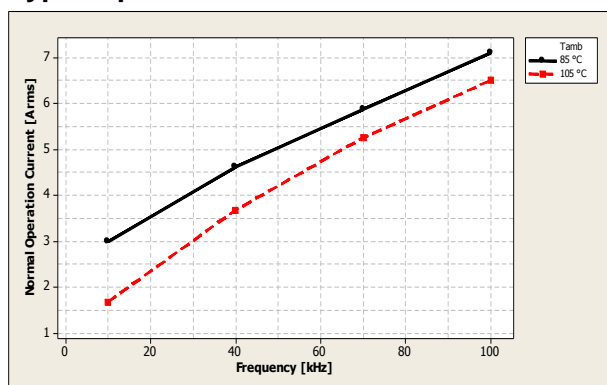
The effective capacitance is defined as the small signal capacitance at V_{op} .

Typical impedance and ESR as a function of frequency $V_R = 700\text{ V}$



$V_{DC} = 0\text{ V}$, $V_{AC} = 0.5\text{ V}_{RMS}$, $T_{device} = 25\text{ °C}$

Typical permissible current as a function of frequency $V_R = 700\text{ V}$



Measurement performed at V_{op} .

The values correspond to a device temperature of 150 °C.

No forced cooling was used.

Note that with additional cooling the typical permissible current can be significantly higher.

Aging

The capacitance has an aging behavior which shows a decrease of capacitance with time.

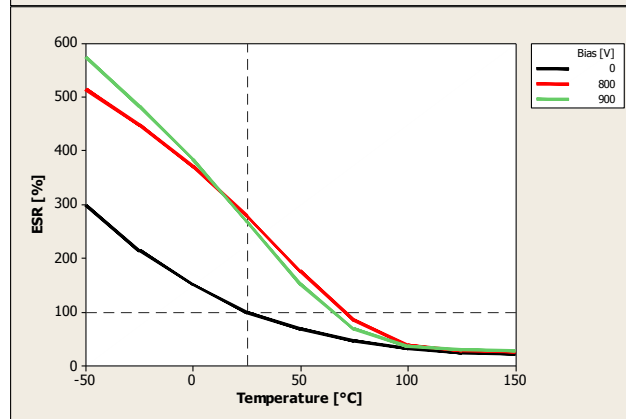
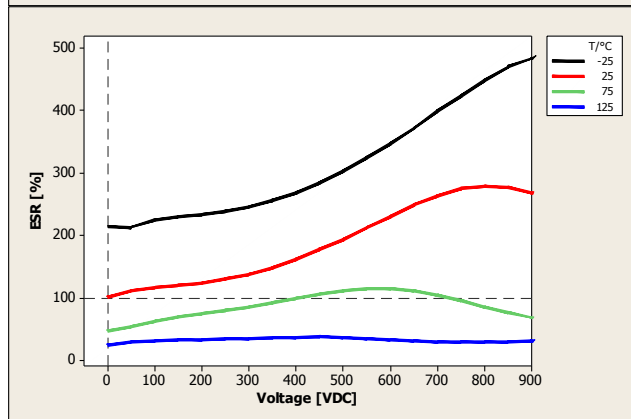
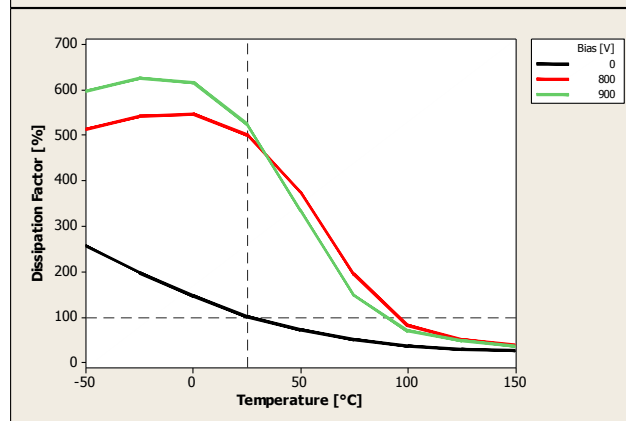
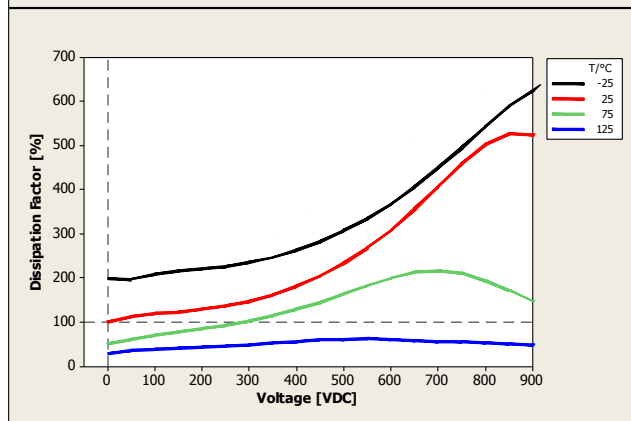
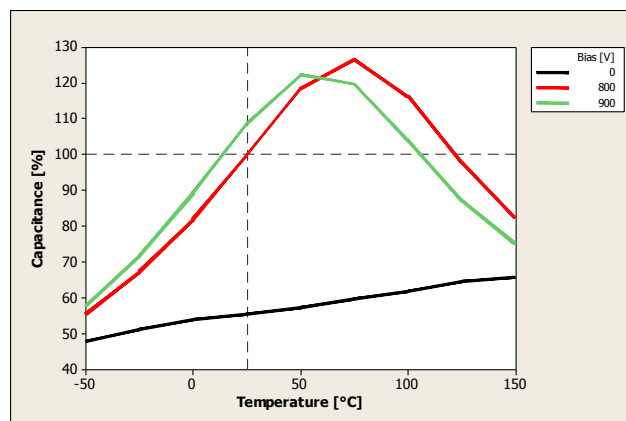
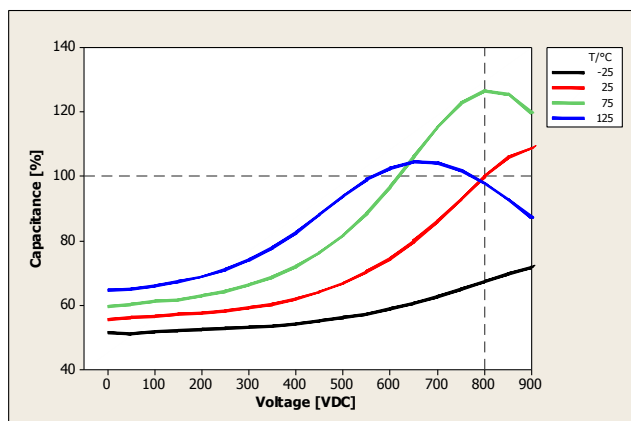
The typical aging rate is about 2.5% per logarithmic decade in hours.

Typical characteristics as a function of temperature and voltage $V_R = 900\text{ V}$

($V_{AC} = 0.5 V_{RMS}$, frequency = 1 kHz)

All given temperatures are device temperatures.

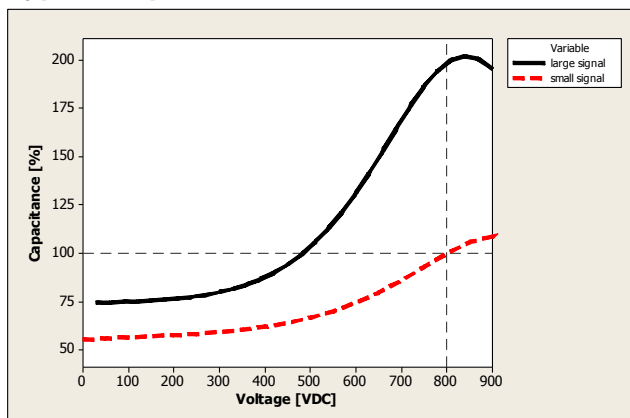
The curves show the relative changes of the capacitance, dissipation factor and ESR. The 100% values correspond to $C_{eff, typ}$ and $\tan \delta$ which are given on page 2 and 3 of this data sheet.



Application Notes

Further typical electrical characteristics as a design reference for CeraLink applications.

Typical capacitance values as a function of voltage $V_R = 900\text{ V}$



Large signal capacitance:

Quasistatic (slow variation of the voltage), 25 °C

The nominal capacitance is defined as the large signal capacitance at V_{op} .

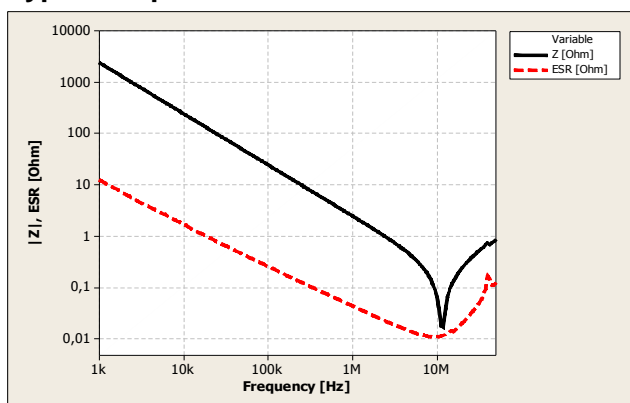
See glossary for further information.

Small signal capacitance:

0.5 V_{RMS} , 1 kHz, 25 °C

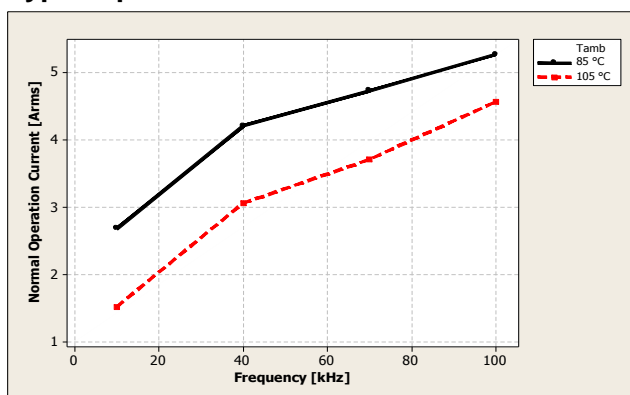
The effective capacitance is defined as the small signal capacitance at V_{op} .

Typical impedance and ESR as a function of frequency $V_R = 900\text{ V}$



$V_{DC} = 0\text{ V}$, $V_{AC} = 0.5\text{ V}_{RMS}$, $T_{device} = 25\text{ °C}$

Typical permissible current as a function of frequency $V_R = 900\text{ V}$



Measurement performed at V_{op} .

The values correspond to a device temperature of 150 °C.

No forced cooling was used.

Note that with additional cooling the typical permissible current can be significantly higher.

Aging

The capacitance has an aging behavior which shows a decrease of capacitance with time. The typical aging rate is about 2.5% per logarithmic decade in hours.

Reliability

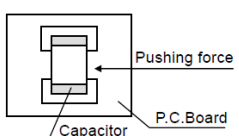
A. Preconditioning:


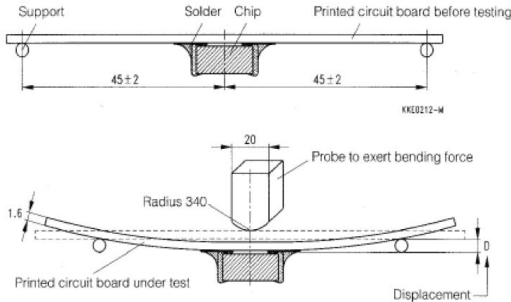
- Reflow solder the capacitor on a PCB using the recommended soldering profile
- Check of external appearance
- Measurement of electrical parameters R_{ins} , C_0 , $\tan \delta$
 - Apply $V_{pk,max}$ for 7 seconds and measure R_{ins} at room temperature:
Isolation resistance (@ $V_{pk,max}$, 7 s, 25 °C) $R_{ins} > 100 M\Omega$
 - Measure C_0 and $\tan \delta$ within 10 minutes to 1 hour afterwards:
Initial capacitance (@ 0 V_{DC} , 0.5 V_{RMS} , 1 kHz, 25 °C)
Dissipation factor (@ 0 V_{DC} , 0.5 V_{RMS} , 1 kHz, 25 °C)

B. Performance of a specific reliability test.

C. After performing a specific test:

- Check the external appearance again
- Repeat the measurement of the electrical parameters
 - Apply $V_{pk,max}$ for 7 seconds and measure R_{ins} at room temperature:
Isolation resistance (@ $V_{pk,max}$, 7 s, 25 °C) $R_{ins} > 10 M\Omega$
 - Measure C and $\tan \delta$:
Change of initial capacitance (@ 0 V_{DC} , 0.5 V_{RMS} , 1 kHz, 25 °C) $|\Delta C / C_0| < 15\%$
 - Dissipation factor (@ 0 V_{DC} , 0.5 V_{RMS} , 1 kHz, 25 °C) $\tan \delta < 0.05$

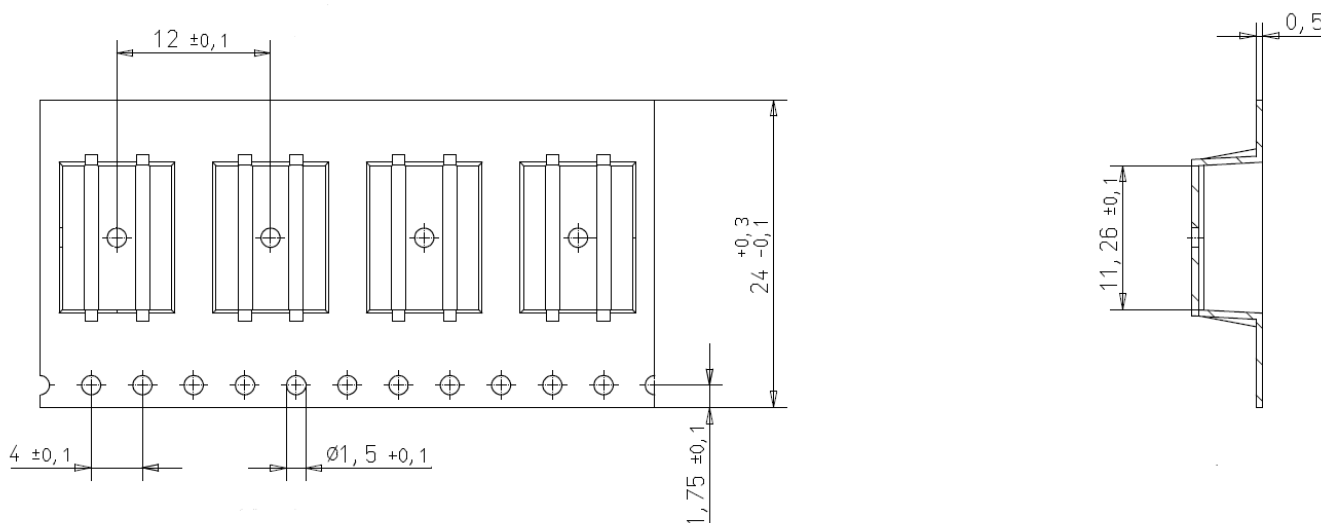
| Test | Standard | Test conditions | Criteria |
|---------------------------------|-------------------------|---|---|
| External appearance | | Visual inspection with magnifying glass | No defects that might affect performance |
| High temperature operating life | MIL-STD-202, method 108 | 150 °C, V_R , 1000 hours | No mechanical damage $ \Delta C / C_0 $, $\tan \delta$ and R_{ins} within defined limits |
| Biased humidity | MIL-STD-202, method 103 | 85 °C, 85% rel. hum., V_R , 1000 hours | No mechanical damage $ \Delta C / C_0 $, $\tan \delta$ and R_{ins} within defined limits |
| Temperature shock | IEC 60384-9, 4.8 | -55 °C to +150 °C 20 seconds transfer time 15 minutes dwell time 1000 cycles | No mechanical damage $ \Delta C / C_0 $, $\tan \delta$ and R_{ins} within defined limits |
| Terminal strength test | AEC-Q200-005 | Apply a force of 17.7 N for 60 seconds  | No detaching of termination. No rupture of ceramic $ \Delta C / C_0 $, $\tan \delta$ and R_{ins} within defined limits |

| Test | Standard | Test conditions | Criteria |
|------------------------------------|--|---|--|
| Tensile strength test (unsoldered) | | Apply a force of 10 N in the shown direction. Ceramic body is clamped :  | No detaching of termination. No rupture of ceramic $ \Delta C / C_0 $, $\tan \delta$ and R_{ins} within defined limits |
| Board flex | AEC-Q200-005 | Bending of 2 mm for 60 seconds  Dimensions in mm | No mechanical damage $ \Delta C / C_0 $, $\tan \delta$ and R_{ins} within defined limits |
| Vibration | MIL-STD-202, method 204 | 5 g / 20 min, 12 cycles, 3 axis 10 Hz to 2000 Hz | No mechanical damage $ \Delta C / C_0 $, $\tan \delta$ and R_{ins} within defined limits |
| Mechanical shock | MIL-STD-202, method 213 | Acceleration 400 m/s ² Half sine pulse duration 6 milliseconds 4000 bumps | No mechanical damage $ \Delta C / C_0 $, $\tan \delta$ and R_{ins} within defined limits |
| Reflow test | | 3 times recommended reflow soldering profile | No mechanical damage Proper solder coating of contact areas $ \Delta C / C_0 $, $\tan \delta$ and R_{ins} within defined limits |
| Leaching test (lead frame only) | MIL-STD-202, method 210, condition B | Dip test of contact areas in solder bath (260 °C for 10 seconds) | No damage of lead frame silver coating |
| Solderability (lead frame only) | J-STD-002, method A @ 235 °C, category 3 | Dip test of contact areas in solder bath (235 °C for 5 ± 0.5 seconds) | > 95% wettability of lead frame |
| Resistance to solvent | | Dipping and cleaning with isopropanol | Marking must be legible $ \Delta C / C_0 $, $\tan \delta$ and R_{ins} within defined limits |
| Geometry | | Using a caliper | Within specified tolerance in the chapter construction |

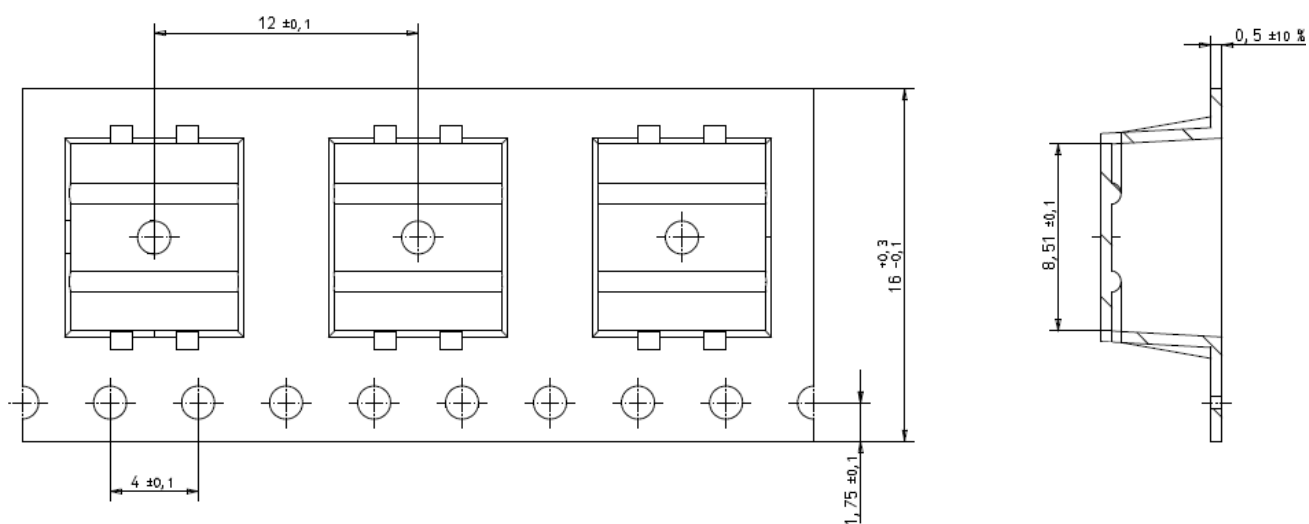
Packaging

The CeraLink LP types will be delivered in a blister tape (taping to IEC 60286-3).

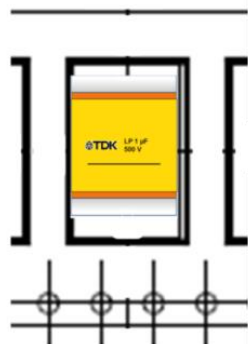
Blister tape for L-style terminal



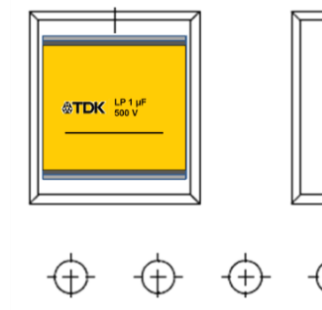
Blister tape for J-style terminal



Part orientation for L-style terminal



Part orientation for J-style terminal

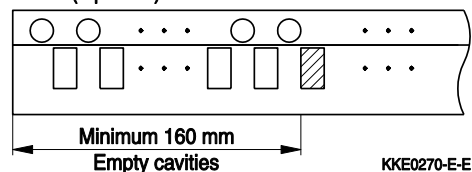


Taping information

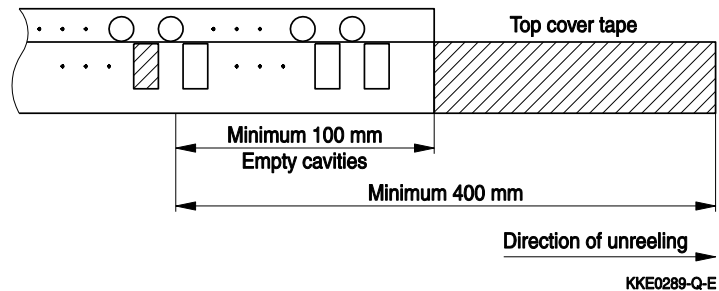
Trailer: There is a minimum of 160 mm of carrier tape with empty compartments and sealed by the cover tape.

Leader: There is a minimum of 400 mm of cover tape, which includes at least 100 mm of carrier tape with empty compartments.

Trailer (tape end)



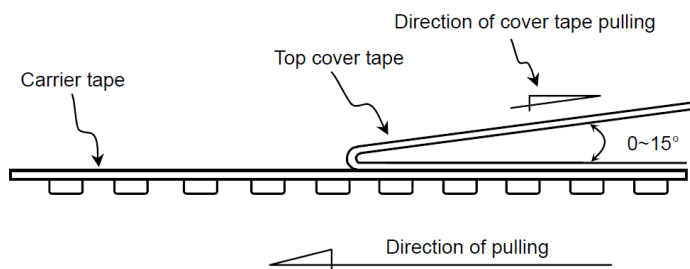
Leader



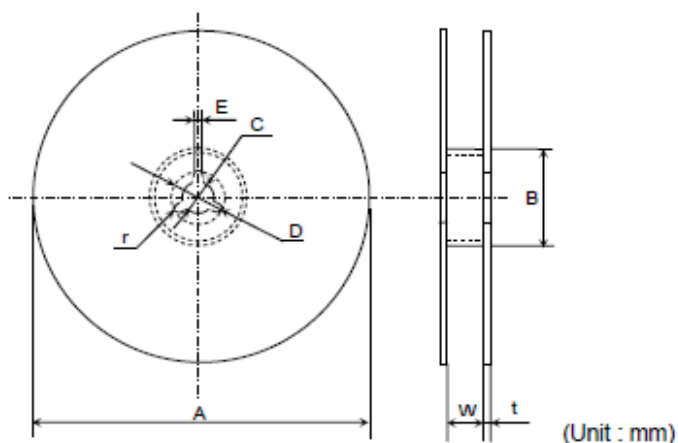
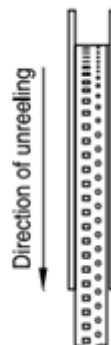
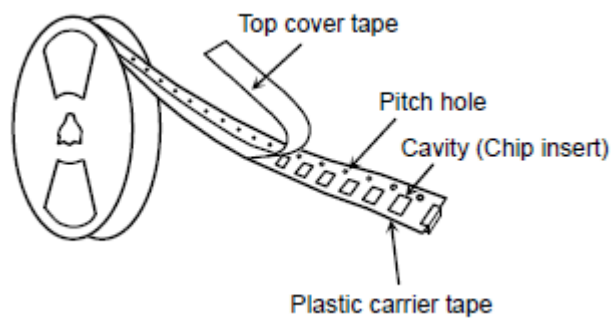
Dimensions in mm

Fixing peeling strength (top tape)

The peeling strength is 0.1 ... 1.3 N.



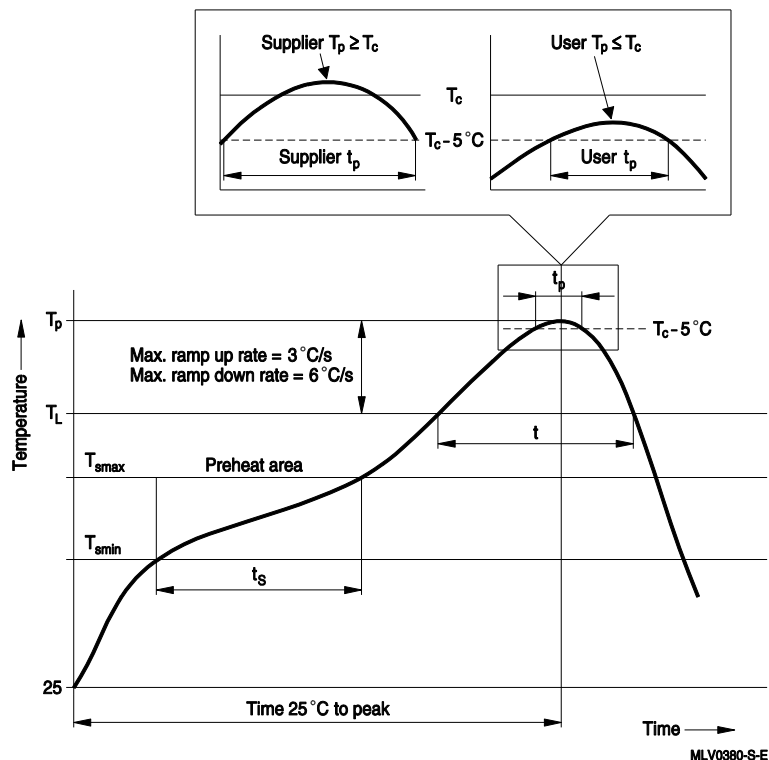
Reel packing



| | L-style terminal | J-style terminal |
|---|------------------|------------------|
| A | 330 ±2 | 330 ±2 |
| B | 100 ±1 | 62 ±1 |
| C | 13 +0.5/ -0.2 | 12.8 +0.7 |
| D | 20.2 min. | 19.1 min. |
| E | 2.2 ±0.2 | 1.6 ±0.5 |
| W | 24.2 +2 | 16.4 +2 |

Dimensions in mm

Recommended reflow soldering profile



| Profile feature | | SAC, Sn95.5Ag3.8Cu0.7 @ N ₂ atmosphere |
|--|--|---|
| Preheat and soak | | |
| - Temperature min | T _{smin} | 150 °C |
| - Temperature max | T _{smax} | 200 °C |
| - Time | t _{smin} to t _{smax} | 60 ... 120 seconds |
| Average ramp-up rate | T _L to T _p | 3 °C/ second max. |
| Liquidus temperature | T _L | 217 °C |
| Time at liquidus temperature | t _L | 60 ... 150 seconds |
| Peak package body temperature | T _p ¹⁾ | 245 °C ... 260 °C max. ²⁾ |
| Time (t _p) ³⁾ within 5 °C of specified classification temperature (T _c) | | 30 seconds ³⁾ |
| Average ramp-down rate | T _p to T _L | 6 °C/ second max. |
| Time 25 °C to peak temperature | | maximum 8 minutes |

1) Tolerance for peak profile temperature (T_p) is defined as a supplier minimum and a user maximum.

2) Depending on package thickness (cf. JEDEC J-STD-020D).

3) Tolerance for time at peak profile temperature (t_p) is defined as a supplier minimum and a user maximum.

Notes:

All temperatures refer to topside of the package, measured on the package body surface.

Max. number of reflow cycles: 3

After the soldering process, the capacitance is lowered. Applying V_R to the device will re-establish the capacitance.

The proposed soldering profile is based on IEC 60068-2-58 (respectively JEDEC J-STD-020D) recommendations.

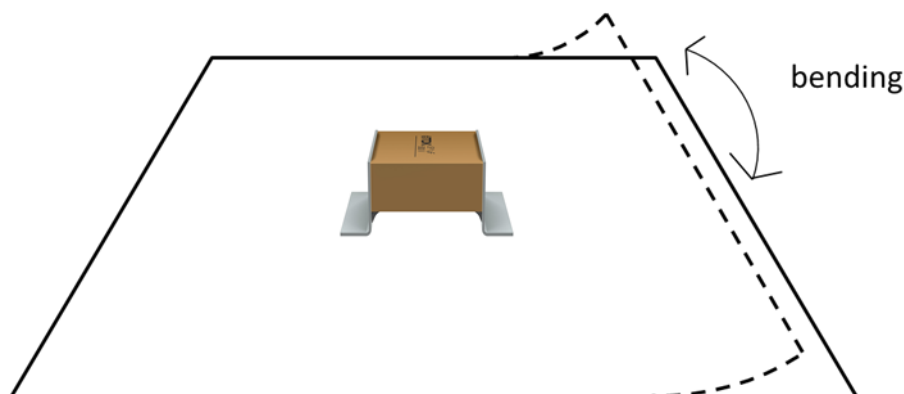
General technical information

Storage

- Only store CeraLink capacitors in their original packaging. Do not open the package prior to processing.
- Storage conditions in original packaging: temperature $-25\text{ }^{\circ}\text{C}$ to $+45\text{ }^{\circ}\text{C}$, relative humidity $\leq 75\%$ annual average, maximum 95%, dew precipitation is inadmissible.
- Do not store CeraLink capacitors where they are exposed to heat or direct sunlight. Otherwise the packaging material may be deformed or CeraLink may stick together, causing problems during mounting.
- Avoid contamination of the CeraLink surface during storage, handling and processing.
- Avoid storing CeraLink devices in harmful environments where they are exposed to corrosive gases (e.g. SO_x, Cl).
- Use CeraLink as soon as possible after opening factory seals such as polyvinyl-sealed packages.
- Solder CeraLink components within 6 months after shipment.

Handling

- Do not drop CeraLink components or allow them to be chipped.
- Do not touch CeraLink with your bare hands - gloves are recommended.
- Avoid contamination of the CeraLink surface during handling.
- The CeraLink LP series was tested to withstand the board flex test defined in the AEC-Q200 rev. D, method 005.
- The CeraLink LP series uses copper-invar lead frames to prevent mechanical stress to the ceramic. Too much bending causes open mode. Avoid high mechanical stress like twisting after soldering on a PCB.

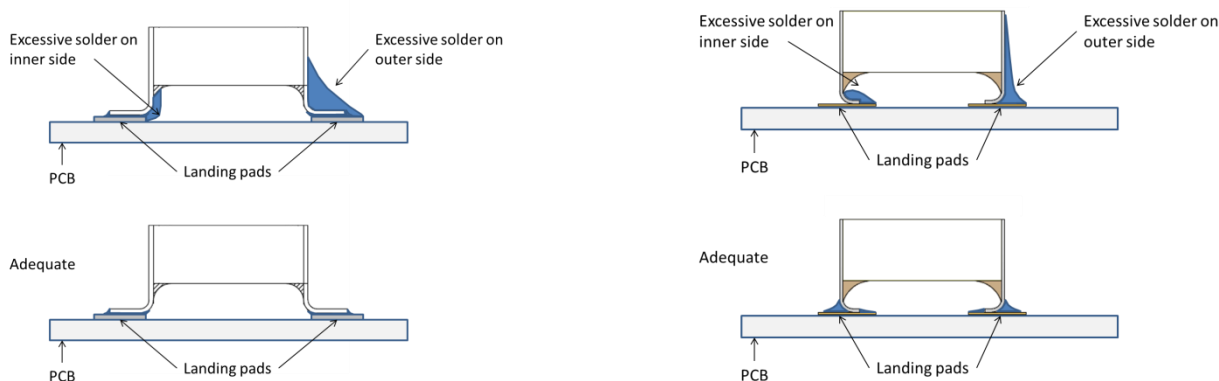


Mounting

- Do not subject CeraLink devices to mechanical stress when encapsulating them with sealing material or overmolding with plastic material. Encapsulation may lead to worse heat dissipation too. Please ask for further information.
- Do not scratch the electrodes before, during or after the mounting process.
- Make sure contacts and housings used for assembly with CeraLink components are clean before mounting.
- The surface temperature of an operating CeraLink can be higher than the ambient temperature. Ensure that adjacent components are placed at a sufficient distance from a CeraLink to allow proper cooling.
- Avoid contamination of the CeraLink surface during processing.

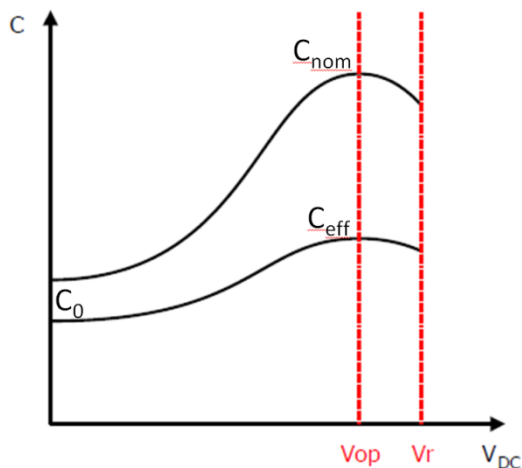
Soldering

- The use of mild, non-activated fluxes for soldering is recommended, as well as proper cleaning of the PCB.
- Complete removal of flux is recommended to avoid surface contamination that can result in an insable and/or high leakage current.
- Use resin-type or non-activated flux.
- Bear in mind that insufficient preheating may cause ceramic cracks.
- Rapid cooling by dipping in solvent is not recommended, otherwise a component may crack.
- Excessive usage of solder paste can reduce the mechanical robustness of the device, whereas insufficient solder may cause the CeraLink to detach from the PCB. Use an adequate amount of solder paste, but on the landing pads only.



- If an unsuitable cleaning fluid is used, flux residue or foreign particles may stick to the CeraLink surface and deteriorate its insulation resistance. Insufficient or improper cleaning of the CeraLink may cause damage to the component.
 - Excessive washing like ultrasonic cleaning, can affect the connection between the ceramic chip and the outer electrode. To avoid this, we give the following recommendation: Power: 20 W/l max.
 - Frequency: 40 kHz max.
 - Washing time: 5 minutes max.

Glossary



Initial capacitance C_0 :

Is the value at the origin of the hysteresis without any applied direct voltage.

Effective capacitance C_{eff} :

Occurs at V_{op} and is measured with an applied ripple voltage of $0.5 V_{RMS}$ and 1 kHz. The CeraLink is designed to have its highest capacitance value at the operating voltage V_{op} .

Nominal capacitance C_{nom} :

Is the value derived by the tangent of the mean hysteresis as the derivative of the mean hysteresis is $dQ/dV \sim C$.

Symbols and terms

| | |
|----------------|--|
| AC | Alternating current |
| C_0 | Initial capacitance @ $0 V_{DC}$, $0.5 V_{RMS}$, 1 kHz, 25 °C |
| $C_{eff,typ}$ | Typical effective capacitance @ V_{op} , $0.5 V_{RMS}$, 1 kHz, 25 °C |
| $C_{nom,typ}$ | Typical nominal capacitance @ V_{op} , quasistatic, 25 °C. See glossary on previous page for definition of the nominal capacitance |
| DC | Direct current |
| ESL | Equivalent serial inductance |
| ESR | Equivalent serial resistance |
| I_{op} | Operating ripple current, root mean square value of sinusoidal AC current |
| LP | Low profile |
| PCB | Printed circuit board |
| PLZT | Lead lanthanum zirconium titanate |
| R_{ins} | Insulation resistance @ V_{pk} , measurement time $t = 7$ s, 25 °C |
| $R_{ins, typ}$ | Insulation resistance @ V_{op} , measurement time $t > 240$ s, 25 °C |
| SAC | Tin silver copper alloy; lead-free solder paste |
| T_{amb} | Ambient temperature |
| $\tan \delta$ | Dissipation factor @ $0 V_{dc}$, $0.5 V_{rms}$ 1 kHz, 25°C |
| T_{device} | Device temperature. $T_{device} = T_{amb} + \Delta T$ (ΔT defines the self-heating of the device due to applied current). |
| V_{op} | Operating voltage |
| V_R | Rated voltage |
| V_{RMS} | Root mean square value of sinusoidal AC voltage |
| $V_{pk,max}$ | Maximum peak operating voltage |
| ΔT | Increase of temperature during operation |

Cautions and warnings

General

Not for use in resonant circuits, where a voltage of alternating polarity occurs.

Not for AC applications. Consult our local representative for further details.

If used in snubber circuits, ensure that the sum of all voltages remains at the same polarity.

Some parts of this publication contain statements about the suitability of our CeraLink components for certain areas of application, including recommendations about incorporation/design-in of these products into customer applications. The statements are based on our knowledge of typical requirements often made of our CeraLink devices in the particular areas. We nevertheless expressly point out that such statements cannot be regarded as binding statements about the suitability of our CeraLink components for a particular customer application. As a rule, TDK is either unfamiliar with individual customer applications or less familiar with them than the customers themselves. For these reasons, it is always incumbent on the customer to check and decide whether the CeraLink devices with the properties described in the product specification are suitable for use in a particular customer application.

- Do not use CeraLink components for purposes not identified in our specifications.
- Ensure the suitability of a CeraLink in particular by testing it for reliability during design-in. Always evaluate a CeraLink™ component under worst-case conditions.
- Pay special attention to the reliability of CeraLink devices intended for use in safety-critical applications (e.g. medical equipment, automotive, spacecraft, nuclear power plant).

Design notes

- Consider derating at higher operating temperatures. As a rule, lower temperatures and voltages increase the life time of CeraLink devices.
- If steep surge current edges are to be expected, make sure your design is as low-inductive as possible.
- In some cases the malfunctioning of passive electronic components or failure before the end of their service life cannot be completely ruled out in the current state of the art, even if they are operated as specified. In applications requiring a very high level of operational safety and especially when the malfunction or failure of a passive electronic component could endanger human life or health (e.g. in accident prevention, life-saving systems, or automotive battery line applications such as clamp 30), ensure by suitable design of the application or other measures (e.g. installation of protective circuitry, fuse or redundancy) that no injury or damage is sustained by third parties in the event of such a malfunction or failure.
- Specified values only apply to CeraLink components that have not been subject to prior electrical, mechanical or thermal damage. The use of CeraLink devices in line-to-ground applications is therefore not advisable, and it is only allowed together with safety countermeasures such as thermal fuses.

Operation

- Use CeraLink only within the specified operating temperature range.
- Use CeraLink only within specified voltage and current ranges.
- The CeraLink has to be operated in a dry atmosphere, which must not contain any additional chemical vapors or substances.
- Environmental conditions must not harm the CeraLink. Use the capacitors under normal atmospheric conditions only. A reduction of the oxygen partial pressure to below 1 mbar is not permissible.
- Prevent a CeraLink from contacting liquids and solvents.
- Avoid dewing and condensation.
- During operation, the CeraLink can produce audible noise due to its piezoelectric characteristic.
- CeraLink components are mainly designed for encased applications. Under all circumstances avoid exposure to:
 - direct sunlight
 - rain or condensation
 - steam, saline spray
 - corrosive gases
 - atmosphere with reduced oxygen content

This listing does not claim to be complete, but merely reflects the experience of TDK.

Display of ordering codes for TDK Electronics products

The ordering code for one and the same product can be represented differently in data sheets, data books, other publications, on the company website, or in order-related documents such as shipping notes, order confirmations and product labels. **The varying representations of the ordering codes are due to different processes employed and do not affect the specifications of the respective products.** Detailed information can be found on the Internet under www.tdk-electronics.tdk.com/orderingcodes.

Important notes

The following applies to all products named in this publication:

1. Some parts of this publication contain **statements about the suitability of our products for certain areas of application**. These statements are based on our knowledge of typical requirements that are often placed on our products in the areas of application concerned. We nevertheless expressly point out **that such statements cannot be regarded as binding statements about the suitability of our products for a particular customer application**. As a rule we are either unfamiliar with individual customer applications or less familiar with them than the customers themselves. For these reasons, it is always ultimately incumbent on the customer to check and decide whether a product with the properties described in the product specification is suitable for use in a particular customer application.
2. We also point out that **in individual cases, a malfunction of electronic components or failure before the end of their usual service life cannot be completely ruled out in the current state of the art, even if they are operated as specified**. In customer applications requiring a very high level of operational safety and especially in customer applications in which the malfunction or failure of an electronic component could endanger human life or health (e.g. in accident prevention or life-saving systems), it must therefore be ensured by means of suitable design of the customer application or other action taken by the customer (e.g. installation of protective circuitry or redundancy) that no injury or damage is sustained by third parties in the event of malfunction or failure of an electronic component.
3. **The warnings, cautions and product-specific notes must be observed.**
4. In order to satisfy certain technical requirements, **some of the products described in this publication may contain substances subject to restrictions in certain jurisdictions (e.g. because they are classed as hazardous)**. Useful information on this will be found in our Material Data Sheets on the Internet (www.tdk-electronics.tdk.com/material). Should you have any more detailed questions, please contact our sales offices.
5. We constantly strive to improve our products. Consequently, **the products described in this publication may change from time to time**. The same is true of the corresponding product specifications. Please check therefore to what extent product descriptions and specifications contained in this publication are still applicable before or when you place an order.

We also **reserve the right to discontinue production and delivery of products**. Consequently, we cannot guarantee that all products named in this publication will always be available. The aforementioned does not apply in the case of individual agreements deviating from the foregoing for customer-specific products.

6. Unless otherwise agreed in individual contracts, **all orders are subject to our General Terms and Conditions of Supply**.
7. **Our manufacturing sites serving the automotive business apply the IATF 16949 standard**. The IATF certifications confirm our compliance with requirements regarding the quality management system in the automotive industry. Referring to customer requirements and customer specific requirements ("CSR") TDK always has and will continue to have the policy of respecting individual agreements. Even if IATF 16949 may appear to support the acceptance of unilateral requirements, we hereby like to emphasize that **only requirements mutually agreed upon can and will be implemented in our Quality Management System**. For clarification purposes we like to point out that obligations from IATF 16949 shall only become legally binding if individually agreed upon.

Important notes

8. The trade names EPCOS, CeraCharge, CeraDiode, CeraLink, CeraPad, CeraPlas, CSMP, CTVS, DeltaCap, DigiSiMic, ExoCore, FilterCap, FormFit, LeaXield, MiniBlue, MiniCell, MKD, MKK, MotorCap, PCC, PhaseCap, PhaseCube, PhaseMod, PhiCap, PowerHap, PQSine, PQvar, SIFERRIT, SIFI, SIKOREL, SilverCap, SIMDAD, SiMic, SIMID, SineFormer, SIOV, ThermoFuse, WindCap are **trademarks registered or pending** in Europe and in other countries. Further information will be found on the Internet at www.tdk-electronics.tdk.com/trademarks.

Release 2018-10