



導電性高分子アルミ固体電解コンデンサ(ハイブリッドタイプ)
CONDUCTIVE POLYMER ALUMINUM SOLID ELECTROLYTIC CAPACITORS (HYBRID TYPE)

PEV

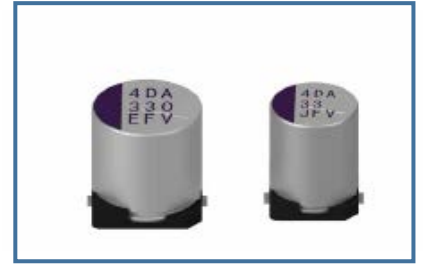
PEV シリーズ
SERIES

UPGRADE

チップ形 105°C 10000 時間 (ハイブリッドタイプ)
Load life : 105°C 10000 hours (Hybrid Type), Chip Type

- ・ AEC-Q200 対応可
AEC-Q200

RoHS
Compliance



◆規格表 SPECIFICATIONS

| 項目 Item | 特性 Characteristics | | | | | | | | | | | | | |
|--|--|-------------------------------|---|------------------------------|--|---------------|--|-------------------------|---|------|------|------|------|------|
| カテゴリ温度範囲 Category Temperature Range | -55~+105°C | | | | | | | | | | | | | |
| 定格電圧範囲 Rated Voltage Range | 25~80Vdc | | | | | | | | | | | | | |
| 静電容量許容差 Capacitance Tolerance | ±20% (20°C, 120Hz) | | | | | | | | | | | | | |
| 漏れ電流 Leakage Current (MAX) | I=0.01CV 又は 3μA のいずれか大なる値以下 (定格電圧印加2分後) I=0.01CV or 3μA whichever is greater. (After 2 minutes) I=漏れ電流 (μA) C=静電容量 (μF) V=定格電圧 (Vdc) Leakage Current Capacitance Rated Voltage | | | | | | | | | | | | | |
| 損失角の正接 (tan δ) Dissipation Factor (MAX) | <table border="1"> <tr> <td>定格電圧 (Vdc) Rated Voltage</td> <td>25</td> <td>35</td> <td>50</td> <td>63</td> <td>80</td> <td rowspan="2">(20°C, 120Hz)</td> </tr> <tr> <td>tan δ</td> <td>0.14</td> <td>0.12</td> <td>0.10</td> <td>0.08</td> <td>0.08</td> </tr> </table> | 定格電圧 (Vdc) Rated Voltage | 25 | 35 | 50 | 63 | 80 | (20°C, 120Hz) | tan δ | 0.14 | 0.12 | 0.10 | 0.08 | 0.08 |
| 定格電圧 (Vdc) Rated Voltage | 25 | 35 | 50 | 63 | 80 | (20°C, 120Hz) | | | | | | | | |
| tan δ | 0.14 | 0.12 | 0.10 | 0.08 | 0.08 | | | | | | | | | |
| 耐久性 Endurance | 105°C 中で 10000 時間定格電圧 (定格リップル重畳) 印加後、下記規格を満足すること。 After applying rated voltage with rated ripple current for 10000 hours at 105°C, the capacitors shall meet the following Criteria. | | | | | | | | | | | | | |
| 高温高湿負荷 Biased Humidity | 85°C, 85%RH 中で 2000 時間定格電圧印加後、下記規格を満足すること。 After applying rated voltage for 2000 hours at 85°C and humidity of 85%, the capacitors shall meet the following Criteria. | | | | | | | | | | | | | |
| 規格 Criteria | <table border="1"> <tr> <td>静電容量変化率 Capacitance Change</td> <td>初期値の±30%以内 Within ±30% of the initial value.</td> </tr> <tr> <td>損失角の正接 Dissipation Factor</td> <td>規格値の200%以下 Not more than 200% of the specified value.</td> </tr> <tr> <td>等価直列抵抗 ESR</td> <td>規格値の200%以下 Not more than 200% of the specified value.</td> </tr> <tr> <td>漏れ電流 Leakage Current</td> <td>規格値以下 Not more than the specified value.</td> </tr> </table> | 静電容量変化率 Capacitance Change | 初期値の±30%以内 Within ±30% of the initial value. | 損失角の正接 Dissipation Factor | 規格値の200%以下 Not more than 200% of the specified value. | 等価直列抵抗 ESR | 規格値の200%以下 Not more than 200% of the specified value. | 漏れ電流 Leakage Current | 規格値以下 Not more than the specified value. | | | | | |
| 静電容量変化率 Capacitance Change | 初期値の±30%以内 Within ±30% of the initial value. | | | | | | | | | | | | | |
| 損失角の正接 Dissipation Factor | 規格値の200%以下 Not more than 200% of the specified value. | | | | | | | | | | | | | |
| 等価直列抵抗 ESR | 規格値の200%以下 Not more than 200% of the specified value. | | | | | | | | | | | | | |
| 漏れ電流 Leakage Current | 規格値以下 Not more than the specified value. | | | | | | | | | | | | | |
| 低温特性 Low Temperature Stability (インピーダンス比) Impedance Ratio (MAX) | Z(-55°C)/Z(+20°C) ≤ 2.0 (100kHz) Z(-25°C)/Z(+20°C) ≤ 1.5 | | | | | | | | | | | | | |

◆リップル電流補正係数 MULTIPLIER FOR RIPPLE CURRENT

| | | | | |
|-----------------------|------|------|------|-------|
| 周波数 (Hz) Frequency | 120 | 1k | 10k | 100k≤ |
| 係数 Coefficient | 0.05 | 0.30 | 0.70 | 1.00 |

◆呼称方法 PART NUMBER

| | | | | | |
|-----------------------|-----------------|---------------------|----------------------------------|---------------|---------------------|
| □□□ | PEV | □□□ | M | □□□ | φDxL |
| 定格電圧 Rated Voltage | シリーズ名 Series | 静電容量 Capacitance | 静電容量許容差 Capacitance Tolerance | 副記号 Option | ケースサイズ Case Size |

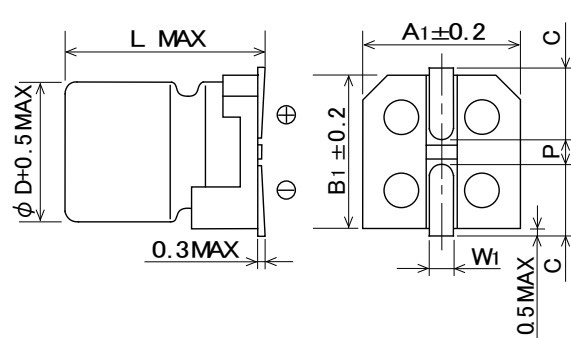
*本技術資料は、予告なしに変更する場合があります。
*Specifications subject to change without notice.



導電性高分子アルミ固体電解コンデンサ(ハイブリッドタイプ) CONDUCTIVE POLYMER ALUMINUM SOLID ELECTROLYTIC CAPACITORS (HYBRID TYPE)

PEV

◆寸法図 DIMENSIONS



| (mm) | | | | | | |
|------|------|------|------|-----|---------|-----|
| φD | L | A1 | B1 | C | W1 | P |
| 6.3 | 6.1 | 6.6 | 6.6 | 2.7 | 0.5~0.8 | 1.8 |
| 6.3 | 8 | 6.6 | 6.6 | 2.7 | 0.5~0.8 | 1.8 |
| 8 | 10.5 | 8.3 | 8.3 | 2.9 | 0.8~1.1 | 3.1 |
| 10 | 10.5 | 10.3 | 10.3 | 3.2 | 0.8~1.1 | 4.5 |

◆標準品一覧表 Standard size

| 定格電圧 Rated Voltage (V) | 静電容量 Capacitance (μF) | 外形寸法 Size φD × L (mm) | 損失角の正接 (tan δ) 120Hz, 20°C | 漏れ電流 Leakage Current (μA/2min) | 等価直列抵抗 E.S.R (mΩ MAX) | | 定格リップル電流 Rated Ripple Current (mA rms/ 105°C, 100kHz) |
|------------------------------|-----------------------------|-----------------------------|----------------------------------|--------------------------------------|--------------------------|--------------|--|
| | | | | | 20°C, 100kHz | -40°C, 10kHz | |
| 25 | 56 | 6.3 × 6.1 | 0.14 | 14.0 | 50 | 75 | 1300 |
| | 100 | 6.3 × 8 | 0.14 | 25.0 | 30 | 45 | 2000 |
| | 220 | 8 × 10.5 | 0.14 | 55.0 | 27 | 41 | 2300 |
| | 330 | 10 × 10.5 | 0.14 | 82.5 | 20 | 30 | 2500 |
| 35 | 47 | 6.3 × 6.1 | 0.12 | 16.4 | 60 | 90 | 1300 |
| | 68 | 6.3 × 8 | 0.12 | 23.8 | 35 | 53 | 2000 |
| | 150 | 8 × 10.5 | 0.12 | 52.5 | 27 | 41 | 2300 |
| | 270 | 10 × 10.5 | 0.12 | 94.5 | 20 | 30 | 2500 |
| 50 | 22 | 6.3 × 6.1 | 0.10 | 11.0 | 80 | 120 | 1100 |
| | 33 | 6.3 × 8 | 0.10 | 16.5 | 40 | 60 | 1600 |
| | 68 | 8 × 10.5 | 0.10 | 34.0 | 30 | 45 | 1800 |
| | 100 | 10 × 10.5 | 0.10 | 50.0 | 28 | 42 | 2000 |
| 63 | 10 | 6.3 × 6.1 | 0.08 | 6.3 | 120 | 180 | 1000 |
| | 22 | 6.3 × 8 | 0.08 | 13.8 | 80 | 120 | 1500 |
| | 33 | 8 × 10.5 | 0.08 | 20.8 | 40 | 60 | 1700 |
| | 56 | 10 × 10.5 | 0.08 | 35.3 | 30 | 45 | 1800 |
| NEW 80 | 22 | 8 × 10.5 | 0.08 | 17.6 | 45 | 68 | 1600 |
| | 39 | 10 × 10.5 | 0.08 | 31.2 | 35 | 53 | 1700 |

*本技術資料は、予告なしに変更する場合があります。

*Specifications subject to change without notice.