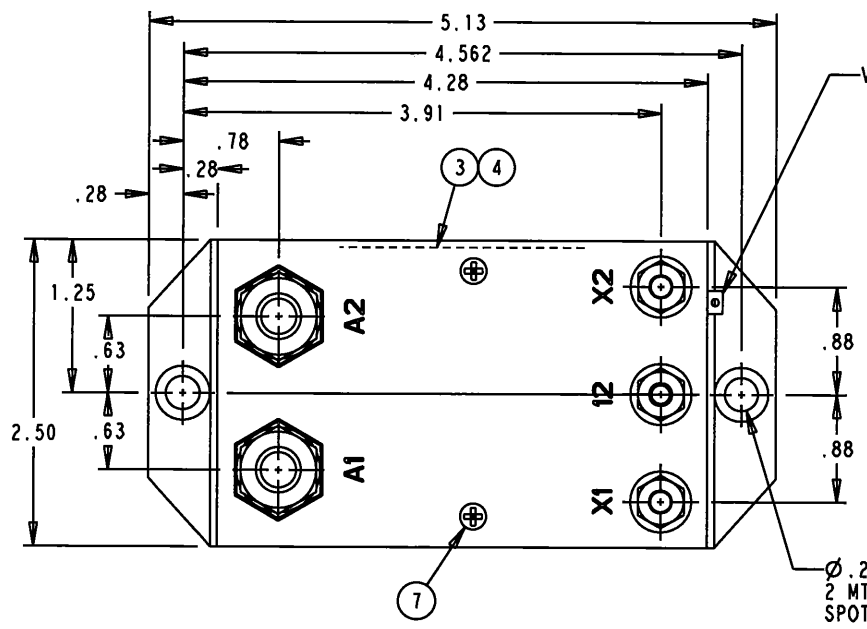


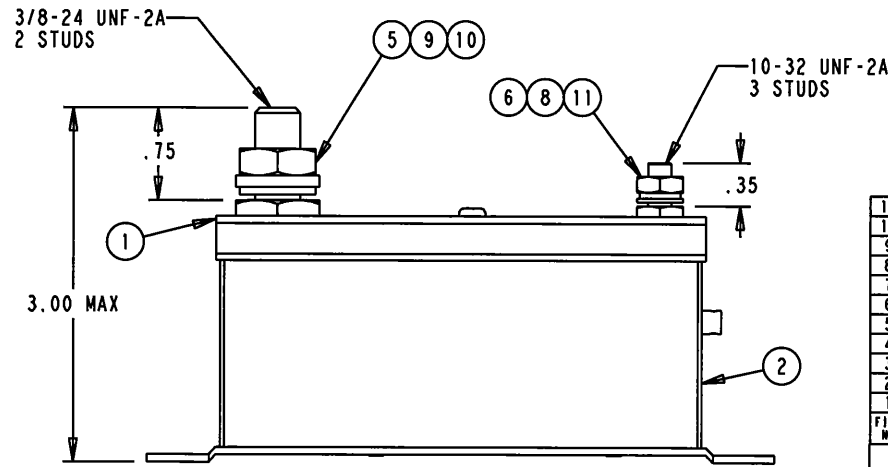
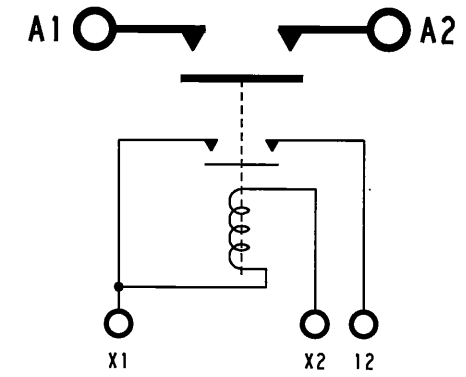
USED ON

DWG NO 3-1616058-3

THIS DRAWING IS A CONTROLLED DOCUMENT



MAXIMUM OPERATING VOLTAGE 29 VOLTS
 PICKUP VOLTAGE (MAX) 18 VOLTS
 DROPOUT VOLTAGE 11.5 VOLTS AT -65°F
 RATED CONTACT LOAD 300 AMP
 COIL CURRENT AT 25°C 0.4 AMP
 MINIMUM OPERATING PERIOD 3 HOURS
 MINIMUM OPERATING CYCLES 50,000
 MAXIMUM WEIGHT 1 LB, 15 OZ
 RATED DUTY CONTINUOUS
 AUX CONTACT 10 AMP, 28 VDC



NOTES:
 1. TOLERANCES ON ALL TERMINAL LENGTHS TO BE ± .06
 2. FOR ELECTRICAL PURPOSES, EXPOSE BARE METAL BY SANDING BOTTOM OF BOTH MOUNTING SURFACES AND SPOTFACE TOP OF MOUNTING HOLES Ø .44

11	3	51810-054	LOCKWASHER, #10 SPLIT			9-1616360-2	BRONZE
10	2	51807-084	LOCKWASHER, 3/8 SPLIT			4-1616360-3	
9	2	51704-024	WASHER 5/8 X 25/64 X .062			8-1616358-8	
8	3	51702-844	FLAT WASHER 7/16 X 13/64 X .032			5-1616358-3	
7	2	51200-020	SCREW NO. 4 X .25, SELF TAP			1616342-2	
6	3	50410-084	NUT 10-32 X 3/8 X 1/8 HEX			1616339-7	
5	2	50407-164	NUT 3/8-24 X 5/8 X 7/32 HEX			1616338-9	SST
4	1	39529-001	OVERLAY - NAMEPLATE			1616283-1	
3	1	16043-001	PLATE - NAME			3-1616169-5	
2	1	14520-060	CONTACTOR ASSY - PRIMARY			1-1616159-0	
1	1	10403-004	PLATE - COVER			5-1616141-7	

FIND QTY RECD PART OR IDENTIFYING NO		NOMENCLATURE OR DESCRIPTION		DRAWING OR SPECIFICATION	FSCM NO	TE PART NO	MATERIAL OR NOTE
CAGE CODE: 74063 <small>1800 North Lincoln Street, Division 1125 N. Diamond Street, Waukegan, IL 60087</small>		DWN 06SEP2002	CSC	MATERIAL	HEAT TREAT		
DIMENSIONS: INCH		CHN 11SEP2002	CC	TE TE Connectivity			
TOLERANCES UNLESS OTHERWISE SPECIFIED: 0 PLC ± 1 PLC ± 2 PLC ±.03 3 PLC ±.010 4 PLC ±		APVD 12SEP2002	RSS	NAME CONTACTOR - CONT DUTY, 300A, 28V A-770N			
ANGLE: 1° SURFACE TEXTURE: ✓		SCALE NONE	SIZE A3	DRAWING NO 3-1616058-3	SHEET 1 OF 1	REV M	

M	SEE ECO-19-003269	01MAR2019	DKN	DKN
LTR	REVISION RECORD	DATE	DWN	APVD

THIS INFORMATION IS CONFIDENTIAL AND PROPRIETARY TO TE CONNECTIVITY LTD. AND ITS HOLDING SUBSIDIARIES AND IS TO BE KEPT CONFIDENTIAL. IT IS NOT TO BE DISCLOSED TO ANYONE WITHOUT THE EXPRESS WRITTEN AUTHORIZATION FROM TE Connectivity (USA).