

Features

- ◆ 64K x 16 advanced high-speed CMOS Static RAM
- ◆ Equal access and cycle times
 - Commercial: 10/12/15/20ns
 - Industrial: 10/12/15/20ns
- ◆ One Chip Select plus one Output Enable pin
- ◆ Bidirectional data inputs and outputs directly LVTTTL-compatible
- ◆ Low power consumption via chip deselect
- ◆ Upper and Lower Byte Enable Pins
- ◆ Single 3.3V power supply
- ◆ Available in 44-pin Plastic SOJ, 44-pin TSOP, and 48-Ball Plastic FBGA packages
- ◆ Industrial temperature range (-40°C to +85°C) is available for selected speeds
- ◆ Green parts available, see ordering information

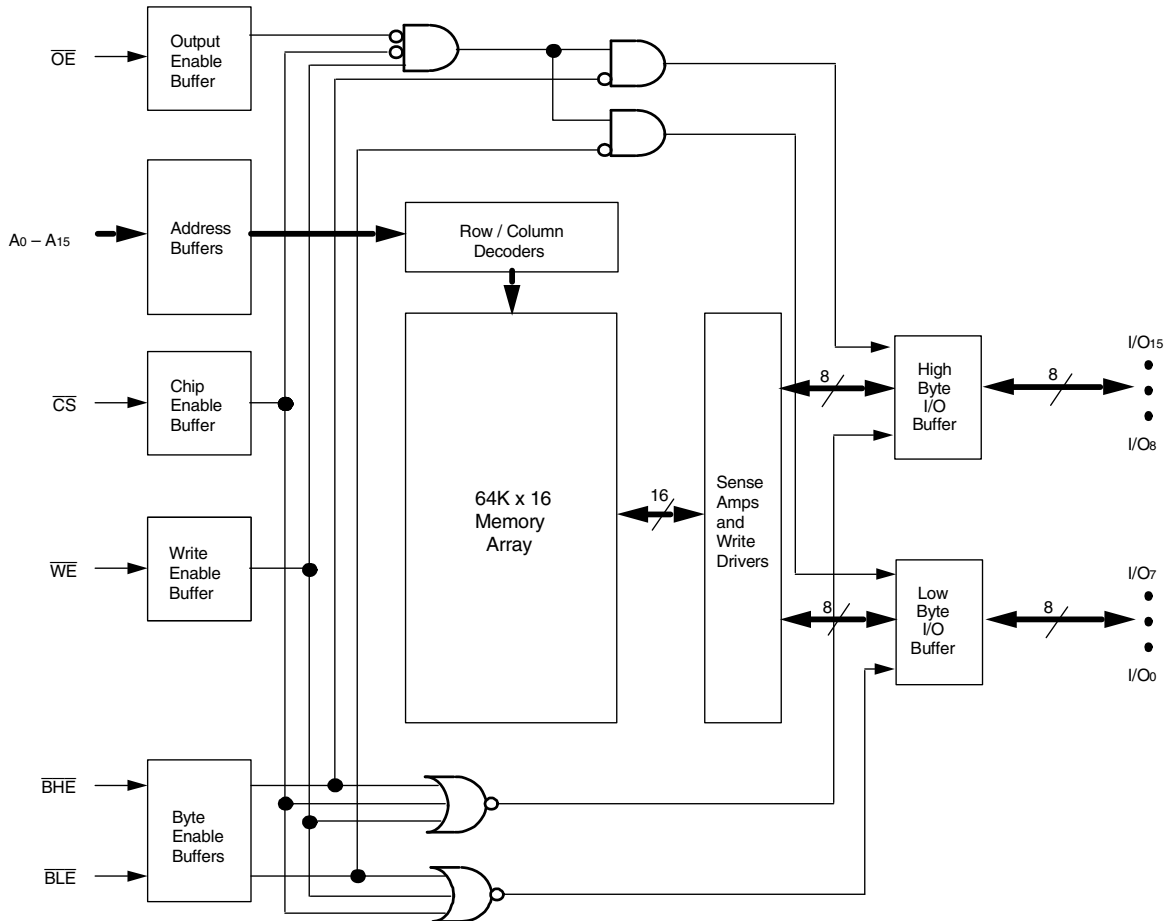
Description

The IDT71V016 is a 1,048,576-bit high-speed Static RAM organized as 64K x 16. It is fabricated using high-performance, high-reliability CMOS technology. This state-of-the-art technology, combined with innovative circuit design techniques, provides a cost-effective solution for high-speed memory needs.

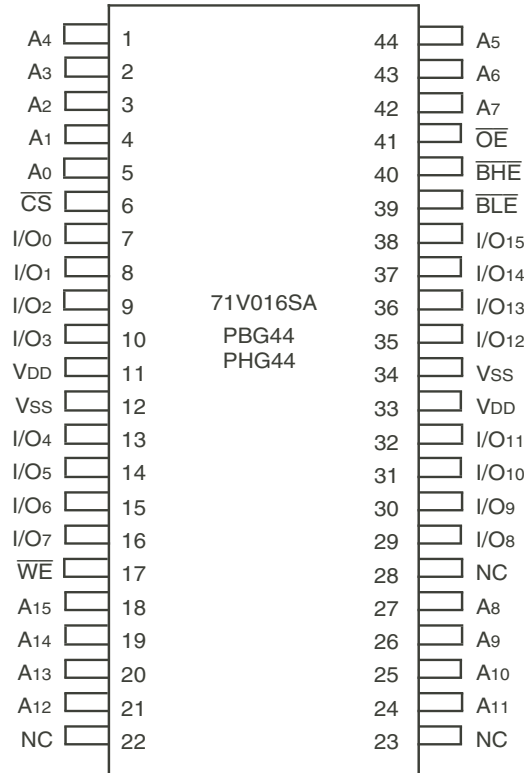
The IDT71V016 has an output enable pin which operates as fast as 5ns, with address access times as fast as 10ns. All bidirectional inputs and outputs of the IDT71V016 are LVTTTL compatible and operation is from a single 3.3V supply. Fully static asynchronous circuitry is used, requiring no clocks or refresh for operation.

The IDT71V016 is packaged in a JEDEC standard 44-pin Plastic SOJ, a 44-pin TSOP Type II, and a 48-ball plastic 7 x 7 mm FBGA.

Functional Block Diagram



Pin Configurations - PBG44, PHG44⁽¹⁾



SOJ/TSOP
Top View

3834 drw 02

NOTE:

1. This text does not indicate orientation of actual part-marking.

| | 1 | 2 | 3 | 4 | 5 | 6 |
|---|-------------------------|-------------------------|-----|-----|------------------------|------------------|
| A | $\overline{\text{BLE}}$ | $\overline{\text{OE}}$ | A0 | A1 | A2 | NC |
| B | I/O ₈ | $\overline{\text{BHE}}$ | A3 | A4 | $\overline{\text{CS}}$ | I/O ₀ |
| C | I/O ₉ | I/O ₁₀ | A5 | A6 | I/O ₁ | I/O ₂ |
| D | V _{SS} | I/O ₁₁ | NC | A7 | I/O ₃ | V _{DD} |
| E | V _{DD} | I/O ₁₂ | NC | NC | I/O ₄ | V _{SS} |
| F | I/O ₁₄ | I/O ₁₃ | A14 | A15 | I/O ₅ | I/O ₆ |
| G | I/O ₁₅ | NC | A12 | A13 | $\overline{\text{WE}}$ | I/O ₇ |
| H | NC | A8 | A9 | A10 | A11 | NC |

FBGA (BF48, BFG48)⁽¹⁾

3834 tbl 02a

Top View

NOTE:

1. This text does not indicate orientation of actual part-marking.

Pin Description

| | | |
|--------------------------------------|-------------------|-------|
| A0 – A15 | Address Inputs | Input |
| $\overline{\text{CS}}$ | Chip Select | Input |
| $\overline{\text{WE}}$ | Write Enable | Input |
| $\overline{\text{OE}}$ | Output Enable | Input |
| $\overline{\text{BHE}}$ | High Byte Enable | Input |
| $\overline{\text{BLE}}$ | Low Byte Enable | Input |
| I/O ₀ – I/O ₁₅ | Data Input/Output | I/O |
| V _{DD} | 3.3V Power | Power |
| V _{SS} | Ground | Gnd |

3834 tbl 01

Truth Table⁽¹⁾

| $\overline{\text{CS}}$ | $\overline{\text{OE}}$ | $\overline{\text{WE}}$ | $\overline{\text{BLE}}$ | $\overline{\text{BHE}}$ | I/O ₀ -I/O ₇ | I/O ₈ -I/O ₁₅ | Function |
|------------------------|------------------------|------------------------|-------------------------|-------------------------|------------------------------------|-------------------------------------|----------------------|
| H | X | X | X | X | High-Z | High-Z | Deselected – Standby |
| L | L | H | L | H | DATA _{OUT} | High-Z | Low Byte Read |
| L | L | H | H | L | High-Z | DATA _{OUT} | High Byte Read |
| L | L | H | L | L | DATA _{OUT} | DATA _{OUT} | Word Read |
| L | X | L | L | L | DATA _{IN} | DATA _{IN} | Word Write |
| L | X | L | L | H | DATA _{IN} | High-Z | Low Byte Write |
| L | X | L | H | L | High-Z | DATA _{IN} | High Byte Write |
| L | H | H | X | X | High-Z | High-Z | Outputs Disabled |
| L | X | X | H | H | High-Z | High-Z | Outputs Disabled |

NOTE:

1. H = V_H, L = V_L, X = Don't care.

3834 tbl 02

Absolute Maximum Ratings⁽¹⁾

| Symbol | Rating | Value | Unit |
|------------------------------------|--|------------------------------|------|
| V _{DD} | Supply Voltage Relative to V _{SS} | -0.5 to +4.6 | V |
| V _{IN} , V _{OUT} | Terminal Voltage Relative to V _{SS} | -0.5 to V _{DD} +0.5 | V |
| T _{BIAS} | Temperature Under Bias | -55 to +125 | °C |
| T _{STG} | Storage Temperature | -55 to +125 | °C |
| P _T | Power Dissipation | 1.25 | W |
| I _{OUT} | DC Output Current | 50 | mA |

NOTE:

- Stresses greater than those listed under ABSOLUTE MAXIMUM RATINGS may cause permanent damage to the device. This is a stress rating only and functional operation of the device at these or any other conditions above those indicated in the operational sections of this specification is not implied. Exposure to absolute maximum rating conditions for extended periods may affect reliability.

3834 tbl 03

Capacitance

(T_A = +25°C, f = 1.0MHz, SOJ package)

| Symbol | Parameter ⁽¹⁾ | Conditions | Max. | Unit |
|------------------|--------------------------|------------------------|------|------|
| C _{IN} | Input Capacitance | V _{IN} = 3dV | 6 | pF |
| C _{I/O} | I/O Capacitance | V _{OUT} = 3dV | 7 | pF |

NOTE:

- This parameter is guaranteed by device characterization, but not production tested.

3834 tbl 06

Recommended Operating Temperature and Supply Voltage

| Grade | Temperature | V _{SS} | V _{DD} |
|------------|----------------|-----------------|-----------------|
| Commercial | 0°C to +70°C | 0V | See Below |
| Industrial | -40°C to +85°C | 0V | See Below |

3834 tbl 04

Recommended DC Operating Conditions

| Symbol | Parameter | Min. | Typ. | Max. | Unit |
|--------------------------------|--------------------|---------------------|------|-------------------------------------|------|
| V _{DD} ⁽¹⁾ | Supply Voltage | 3.15 | 3.3 | 3.6 | V |
| V _{DD} ⁽²⁾ | Supply Voltage | 3.0 | 3.3 | 3.6 | V |
| V _{SS} | Ground | 0 | 0 | 0 | V |
| V _{IH} | Input High Voltage | 2.0 | — | V _{DD} +0.3 ⁽³⁾ | V |
| V _{IL} | Input Low Voltage | -0.3 ⁽⁴⁾ | — | 0.8 | V |

3834 tbl 05

NOTES:

- For 71V016SA10 only.
- For all speed grades except 71V016SA10.
- V_{IH} (max.) = V_{DD}+2V for pulse width less than 5ns, once per cycle.
- V_{IL} (min.) = -2V for pulse width less than 5ns, once per cycle.

DC Electrical Characteristics

(V_{DD} = Min. to Max., Commercial and Industrial Temperature Ranges)

| Symbol | Parameter | Test Condition | IDT71V016SA | | Unit |
|-----------------|------------------------|---|-------------|------|------|
| | | | Min. | Max. | |
| I _{LI} | Input Leakage Current | V _{DD} = Max., V _{IN} = V _{SS} to V _{DD} | — | 5 | μA |
| I _{LO} | Output Leakage Current | V _{DD} = Max., \overline{CS} = V _{IH} , V _{OUT} = V _{SS} to V _{DD} | — | 5 | μA |
| V _{OL} | Output Low Voltage | I _{OL} = 8mA, V _{DD} = Min. | — | 0.4 | V |
| V _{OH} | Output High Voltage | I _{OH} = -4mA, V _{DD} = Min. | 2.4 | — | V |

3834 tbl 07

DC Electrical Characteristics^(1,2)

(V_{DD} = Min. to Max., V_{LC} = 0.2V, V_{HC} = V_{DD} - 0.2V)

| Symbol | Parameter | | 71V016SA10 | | 71V016SA12 | | 71V016SA15 | | 71V016SA20 | | Unit |
|------------------|---|---------------------|------------|-------|------------|-------|------------|-------|------------|-------|------|
| | | | Com'l | Ind'l | Com'l | Ind'l | Com'l | Ind'l | Com'l | Ind'l | |
| I _{CC} | Dynamic Operating Current $\overline{CS} \leq V_{LC}$, Outputs Open, V _{DD} = Max., f = f _{MAX} ⁽³⁾ | Max. | 160 | 170 | 150 | 160 | 130 | 130 | 120 | 120 | mA |
| | | Typ. ⁽⁴⁾ | 65 | -- | 60 | -- | 55 | -- | 50 | -- | |
| I _{SB} | Dynamic Standby Power Supply Current $\overline{CS} \geq V_{HC}$, Outputs Open, V _{DD} = Max., f = f _{MAX} ⁽³⁾ | | 45 | 50 | 40 | 45 | 35 | 35 | 30 | 30 | mA |
| I _{SB1} | Full Standby Power Supply Current (static) $\overline{CS} \geq V_{HC}$, Outputs Open, V _{DD} = Max., f = 0 ⁽³⁾ | | 10 | 10 | 10 | 10 | 10 | 10 | 10 | 10 | mA |

3834 tbl 08

NOTES:

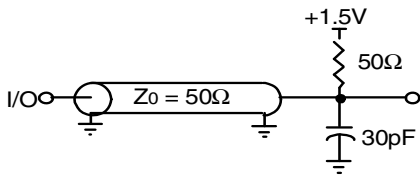
- All values are maximum guaranteed values.
- All inputs switch between 0.2V (Low) and V_{DD} - 0.2V (High).
- f_{MAX} = 1/trc (all address inputs are cycling at f_{MAX}); f = 0 means no address input lines are changing.
- Typical values are based on characterization data for H step only measured at 3.3V, 25°C and with equal read and write cycles.

AC Test Conditions

| | |
|-------------------------------|-----------------------|
| Input Pulse Levels | GND to 3.0V |
| Input Rise/Fall Times | 1.5ns |
| Input Timing Reference Levels | 1.5V |
| Output Reference Levels | 1.5V |
| AC Test Load | See Figure 1, 2 and 3 |

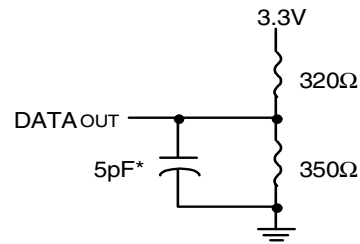
3834 tbl 09

AC Test Loads



3834 drw 03

Figure 1. AC Test Load



3834 drw 04

*Including jig and scope capacitance.

Figure 2. AC Test Load
(for tCLZ, tOLZ, tCHZ, tOHZ, tOW, and tWHZ)



3834 drw 05

Figure 3. Output Capacitive Derating

AC Electrical Characteristics (VDD = Min. to Max., Commercial and Industrial Temperature Ranges)

| Symbol | Parameter | 71V016SA10 | | 71V016SA12 | | 71V016SA15 | | 71V016SA20 | | Unit |
|---------------------------------|--|------------|------|------------|------|------------|------|------------|------|------|
| | | Min. | Max. | Min. | Max. | Min. | Max. | Min. | Max. | |
| READ CYCLE | | | | | | | | | | |
| t _{RC} | Read Cycle Time | 10 | — | 12 | — | 15 | — | 20 | — | ns |
| t _{AA} | Address Access Time | — | 10 | — | 12 | — | 15 | — | 20 | ns |
| t _{ACS} | Chip Select Access Time | — | 10 | — | 12 | — | 15 | — | 20 | ns |
| t _{CLZ} ⁽¹⁾ | Chip Select Low to Output in Low-Z | 4 | — | 4 | — | 5 | — | 5 | — | ns |
| t _{CHZ} ⁽¹⁾ | Chip Select High to Output in High-Z | — | 5 | — | 6 | — | 6 | — | 8 | ns |
| t _{OE} | Output Enable Low to Output Valid | — | 5 | — | 6 | — | 7 | — | 8 | ns |
| t _{OLZ} ⁽¹⁾ | Output Enable Low to Output in Low-Z | 0 | — | 0 | — | 0 | — | 0 | — | ns |
| t _{OHZ} ⁽¹⁾ | Output Enable High to Output in High-Z | — | 5 | — | 6 | — | 6 | — | 8 | ns |
| t _{OH} | Output Hold from Address Change | 4 | — | 4 | — | 4 | — | 4 | — | ns |
| t _{BE} | Byte Enable Low to Output Valid | — | 5 | — | 6 | — | 7 | — | 8 | ns |
| t _{BLZ} ⁽¹⁾ | Byte Enable Low to Output in Low-Z | 0 | — | 0 | — | 0 | — | 0 | — | ns |
| t _{BHZ} ⁽¹⁾ | Byte Enable High to Output in High-Z | — | 5 | — | 6 | — | 6 | — | 8 | ns |
| WRITE CYCLE | | | | | | | | | | |
| t _{WC} | Write Cycle Time | 10 | — | 12 | — | 15 | — | 20 | — | ns |
| t _{AW} | Address Valid to End of Write | 7 | — | 8 | — | 10 | — | 12 | — | ns |
| t _{CW} | Chip Select Low to End of Write | 7 | — | 8 | — | 10 | — | 12 | — | ns |
| t _{BW} | Byte Enable Low to End of Write | 7 | — | 8 | — | 10 | — | 12 | — | ns |
| t _{AS} | Address Set-up Time | 0 | — | 0 | — | 0 | — | 0 | — | ns |
| t _{WR} | Address Hold from End of Write | 0 | — | 0 | — | 0 | — | 0 | — | ns |
| t _{WP} | Write Pulse Width | 7 | — | 8 | — | 10 | — | 12 | — | ns |
| t _{DW} | Data Valid to End of Write | 5 | — | 6 | — | 7 | — | 9 | — | ns |
| t _{DH} | Data Hold Time | 0 | — | 0 | — | 0 | — | 0 | — | ns |
| t _{OW} ⁽¹⁾ | Write Enable High to Output in Low-Z | 3 | — | 3 | — | 3 | — | 3 | — | ns |
| t _{WHZ} ⁽¹⁾ | Write Enable Low to Output in High-Z | — | 5 | — | 6 | — | 6 | — | 8 | ns |

NOTE:

3834 tbl 10

1. This parameter is guaranteed with the AC Load (Figure 2) by device characterization, but is not production tested.

Timing Waveform of Read Cycle No. 1^(1,2,3)

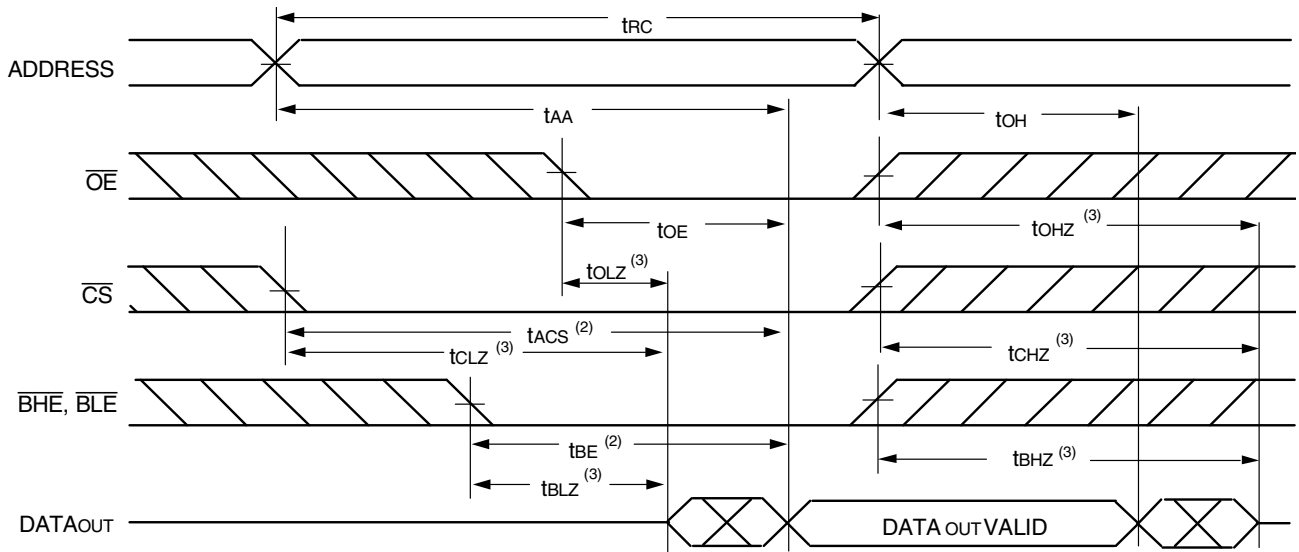


NOTES:

3834 drw 06

1. \overline{WE} is HIGH for Read Cycle.
2. Device is continuously selected, \overline{CS} is LOW.
3. \overline{OE} , \overline{BHE} , and \overline{BLE} are LOW.

Timing Waveform of Read Cycle No. 2⁽¹⁾

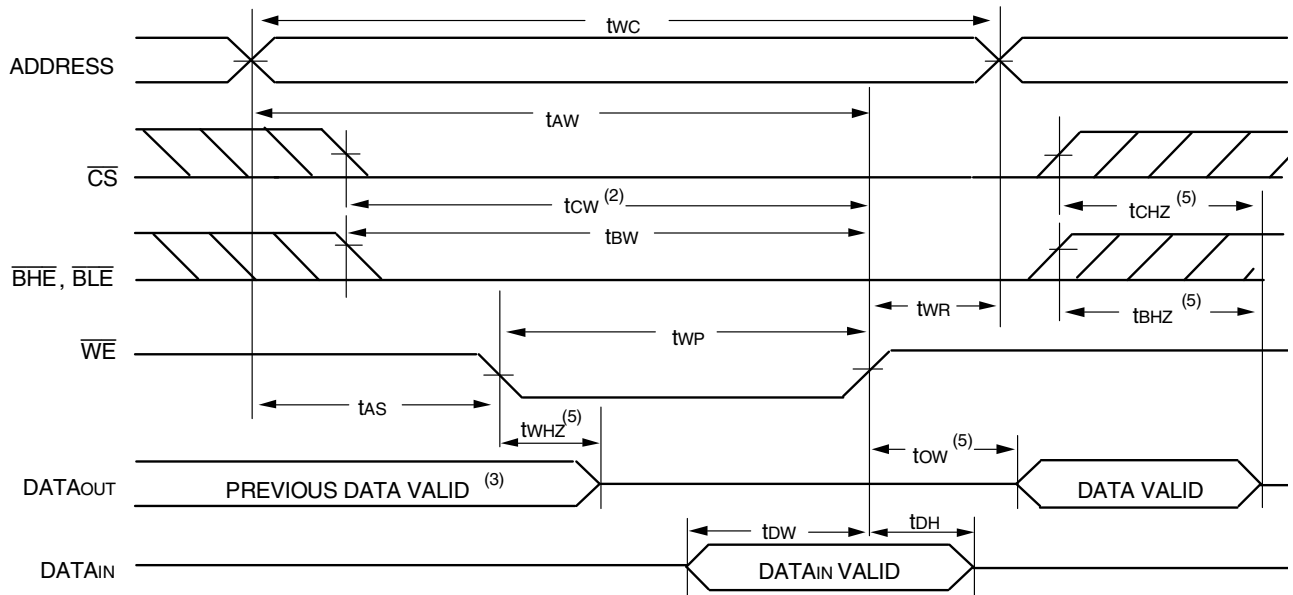


3834 drw 07

NOTES:

1. \overline{WE} is HIGH for Read Cycle.
2. Address must be valid prior to or coincident with the later of \overline{CS} , \overline{BHE} , or \overline{BLE} transition LOW; otherwise t_{AA} is the limiting parameter.
3. Transition is measured $\pm 200\text{mV}$ from steady state.

Timing Waveform of Write Cycle No. 1 (\overline{WE} Controlled Timing)^(1,2,4)

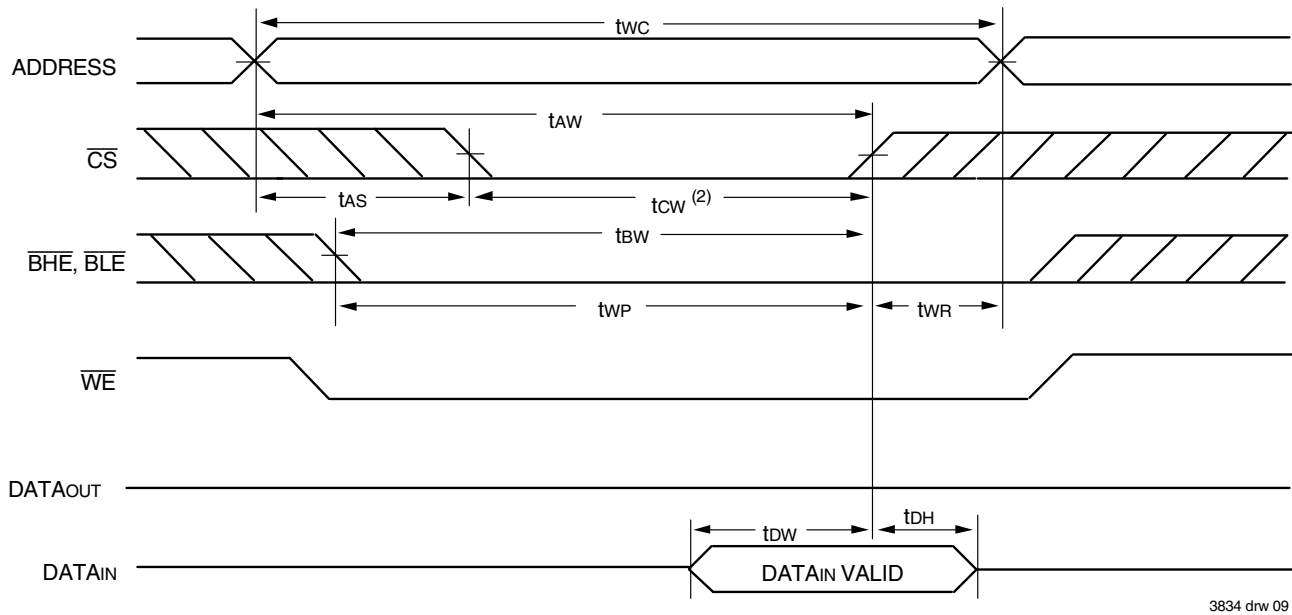


3834 drw 08

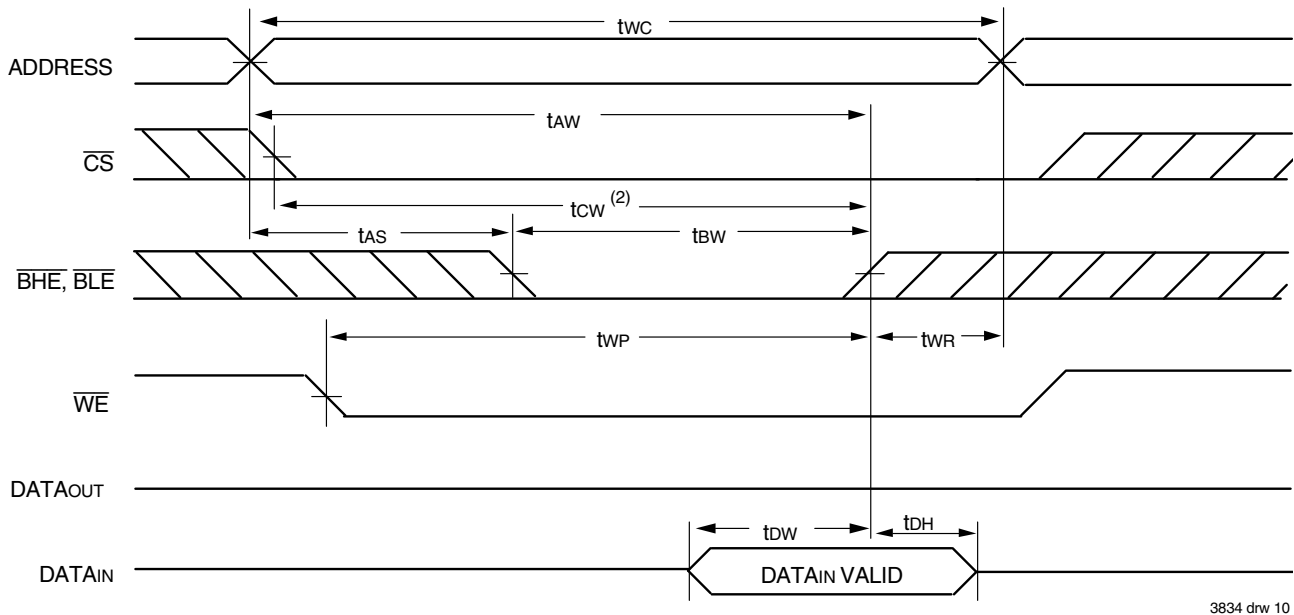
NOTES:

1. A write occurs during the overlap of a LOW \overline{CS} , LOW \overline{BHE} or \overline{BLE} , and a LOW \overline{WE} .
2. \overline{OE} is continuously HIGH. If during a \overline{WE} controlled write cycle \overline{OE} is LOW, t_{WP} must be greater than or equal to $t_{WHZ} + t_{BW}$ to allow the I/O drivers to turn off and data to be placed on the bus for the required t_{OW} . If \overline{OE} is HIGH during a \overline{WE} controlled write cycle, this requirement does not apply and the minimum write pulse is as short as the specified t_{WR} .
3. During this period, I/O pins are in the output state, and input signals must not be applied.
4. If the \overline{CS} LOW or \overline{BHE} and \overline{BLE} LOW transition occurs simultaneously with or after the \overline{WE} LOW transition, the outputs remain in a high-impedance state.
5. Transition is measured $\pm 200\text{mV}$ from steady state.

Timing Waveform of Write Cycle No. 2 ($\overline{\text{CS}}$ Controlled Timing)^(1,4)



Timing Waveform of Write Cycle No. 3 ($\overline{\text{BHE}}$, $\overline{\text{BLE}}$ Controlled Timing)^(1,4)



NOTES:

1. A write occurs during the overlap of a LOW $\overline{\text{CS}}$, LOW $\overline{\text{BHE}}$ or $\overline{\text{BLE}}$, and a LOW $\overline{\text{WE}}$.
2. $\overline{\text{OE}}$ is continuously HIGH. If during a $\overline{\text{WE}}$ controlled write cycle $\overline{\text{OE}}$ is LOW, t_{WP} must be greater than or equal to $t_{WHZ} + t_{BW}$ to allow the I/O drivers to turn off and data to be placed on the bus for the required t_{BW} . If $\overline{\text{OE}}$ is HIGH during a $\overline{\text{WE}}$ controlled write cycle, this requirement does not apply and the minimum write pulse is as short as the specified t_{WR} .
3. During this period, I/O pins are in the output state, and input signals must not be applied.
4. If the $\overline{\text{CS}}$ LOW or $\overline{\text{BHE}}$ and $\overline{\text{BLE}}$ LOW transition occurs simultaneously with or after the $\overline{\text{WE}}$ LOW transition, the outputs remain in a high-impedance state.
5. Transition is measured $\pm 200\text{mV}$ from steady state.

Ordering Information



3834 drw 11

NOTE:

1. Contact your local sales office for industrial temp. range for other speeds, packages and powers.
2. Green parts available. For specific speeds, packages and powers contact your local sales office.

Note that information regarding recently obsoleted parts are included in this datasheet for customer convenience.

Orderable Part Information

| Speed (ns) | Orderable Part ID | Pkg. Code | Pkg. Type | Temp. Grade |
|-----------------|-------------------|--------------|-----------|-------------|
| 10 | 71V016SA10BF | BF48 | CABGA | C |
| | 71V016SA10BF8 | BF48 | CABGA | C |
| | 71V016SA10BFG | BFG48 | CABGA | C |
| | 71V016SA10BFG8 | BFG48 | CABGA | C |
| | 71V016SA10BFGI | BFG48 | CABGA | I |
| | 71V016SA10BFGI8 | BFG48 | CABGA | I |
| | 71V016SA10PHG | PHG44 | TSOP | C |
| | 71V016SA10PHG8 | PHG44 | TSOP | C |
| | 71V016SA10PHGI | PHG44 | TSOP | I |
| | 71V016SA10PHG8I | PHG44 | TSOP | I |
| | 71V016SA10YG | PBG44 | SOJ | C |
| | 71V016SA10YG8 | PBG44 | SOJ | C |
| | 12 | 71V016SA12BF | BF48 | CABGA |
| 71V016SA12BF8 | | BF48 | CABGA | C |
| 71V016SA12BFG | | BFG48 | CABGA | C |
| 71V016SA12BFG8 | | BFG48 | CABGA | C |
| 71V016SA12BFGI | | BFG48 | CABGA | I |
| 71V016SA12BFGI8 | | BFG48 | CABGA | I |
| 71V016SA12BFI | | BF48 | CABGA | I |
| 71V016SA12BFI8 | | BF48 | CABGA | I |
| 71V016SA12PHG | | PHG44 | TSOP | C |
| 71V016SA12PHG8 | | PHG44 | TSOP | C |
| 71V016SA12PHGI | | PHG44 | TSOP | I |
| 71V016SA12PHGI8 | | PHG44 | TSOP | I |
| 71V016SA12YG | | PBG44 | SOJ | C |
| 71V016SA12YG8 | | PBG44 | SOJ | C |
| 71V016SA12YGI | | PBG44 | SOJ | I |
| 71V016SA12YGI8 | PBG44 | SOJ | I | |

| Speed (ns) | Orderable Part ID | Pkg. Code | Pkg. Type | Temp. Grade |
|----------------|-------------------|-----------|-----------|-------------|
| 15 | 71V016SA15BF | BF48 | CABGA | C |
| | 71V016SA15BF8 | BF48 | CABGA | C |
| | 71V016SA15BFG | BFG48 | CABGA | C |
| | 71V016SA15BFG8 | BFG48 | CABGA | C |
| | 71V016SA15BFGI | BFG48 | CABGA | I |
| | 71V016SA15BFGI8 | BFG48 | CABGA | I |
| | 71V016SA15BFI | BF48 | CABGA | I |
| | 71V016SA15BFI8 | BF48 | CABGA | I |
| | 71V016SA15PHG | PHG44 | TSOP | C |
| | 71V016SA15PHG8 | PHG44 | TSOP | C |
| | 71V016SA15PHGI | PHG44 | TSOP | I |
| | 71V016SA15PHGI8 | PHG44 | TSOP | I |
| | 71V016SA15YG | PBG44 | SOJ | C |
| 71V016SA15YG8 | PBG44 | SOJ | C | |
| 71V016SA15YGI | PBG44 | SOJ | I | |
| 71V016SA15YGI8 | PBG44 | SOJ | I | |
| 20 | 71V016SA20BF | BF48 | CABGA | C |
| | 71V016SA20BF8 | BF48 | CABGA | C |
| | 71V016SA20BFG | BFG48 | CABGA | C |
| | 71V016SA20BFG8 | BFG48 | CABGA | C |
| | 71V016SA20BFGI | BFG48 | CABGA | I |
| | 71V016SA20BFGI8 | BFG48 | CABGA | I |
| | 71V016SA20BFI | BF48 | CABGA | I |
| | 71V016SA20BFI8 | BF48 | CABGA | I |
| | 71V016SA20PHG | PHG44 | TSOP | C |
| | 71V016SA20PHG8 | PHG44 | TSOP | C |
| | 71V016SA20PHGI | PHG44 | TSOP | I |
| | 71V016SA20PHGI8 | PHG44 | TSOP | I |
| | 71V016SA20YG | PBG44 | SOJ | C |
| | 71V016SA20YG8 | PBG44 | SOJ | C |
| | 71V016SA20YGI | PBG44 | SOJ | I |
| 71V016SA20YGI8 | PBG44 | SOJ | I | |

Datasheet Document History

| | | |
|----------|----------------|--|
| 01/07/00 | | Updated to new format |
| | Pg. 1, 3, 5, 8 | Added Industrial Temperature range offerings |
| | Pg. 2 | Numbered I/Os and address pins on FBGA Top View |
| | Pg. 6 | Revised footnotes on Write Cycle No. 1 diagram |
| | Pg. 7 | Revised footnotes on Write Cycle No. 2 and No. 3 diagrams |
| | Pg. 9 | Added Datasheet Document History |
| 08/30/00 | Pg. 3 | Tighten ICC and ISB. |
| | Pg. 5 | Tighten tCLZ, tCHZ, tOHZ, tBHZ and tWHZ |
| 08/22/01 | Pg. 8 | Removed footnote "available in 15ns and 20ns only" |
| 06/20/02 | Pg. 8 | Added tape and reel field to ordering information |
| 01/30/04 | Pg. 8 | Added "Restricted hazardous substance device" to ordering information. |
| 09/27/06 | Pg. 8 | Corrected ordering information, changed position of I and G. |
| 02/14/07 | Pg. 8 | Added H step generation to data sheet ordering information. |
| 06/26/07 | Pg. 3 | Changed typical parameters for ICC, DC electrical characteristics table. |
| 10/13/08 | Pg. 8 | Removed "IDT" from orderable part number |
| 10/11/11 | Pg. 1, 8 | Updated datasheet with removal of Obsolete HSA part number. |
| 08/13/13 | Pg. 1, 3, 5, 8 | Added 10ns for Industrial Temperature range offerings. |
| 06/23/20 | Pg. 1 - 9 | Rebranded as Renesas datasheet |
| | Pg. 1 & 8 | Updated Industrial temp and Green availability |
| | Pg. 2 & 8 | Updated package codes |
| | Pg. 9 | Added Orderable Part Information tables |

IMPORTANT NOTICE AND DISCLAIMER

RENESAS ELECTRONICS CORPORATION AND ITS SUBSIDIARIES (“RENESAS”) PROVIDES TECHNICAL SPECIFICATIONS AND RELIABILITY DATA (INCLUDING DATASHEETS), DESIGN RESOURCES (INCLUDING REFERENCE DESIGNS), APPLICATION OR OTHER DESIGN ADVICE, WEB TOOLS, SAFETY INFORMATION, AND OTHER RESOURCES “AS IS” AND WITH ALL FAULTS, AND DISCLAIMS ALL WARRANTIES, EXPRESS OR IMPLIED, INCLUDING, WITHOUT LIMITATION, ANY IMPLIED WARRANTIES OF MERCHANTABILITY, FITNESS FOR A PARTICULAR PURPOSE, OR NON-INFRINGEMENT OF THIRD PARTY INTELLECTUAL PROPERTY RIGHTS.

These resources are intended for developers skilled in the art designing with Renesas products. You are solely responsible for (1) selecting the appropriate products for your application, (2) designing, validating, and testing your application, and (3) ensuring your application meets applicable standards, and any other safety, security, or other requirements. These resources are subject to change without notice. Renesas grants you permission to use these resources only for development of an application that uses Renesas products. Other reproduction or use of these resources is strictly prohibited. No license is granted to any other Renesas intellectual property or to any third party intellectual property. Renesas disclaims responsibility for, and you will fully indemnify Renesas and its representatives against, any claims, damages, costs, losses, or liabilities arising out of your use of these resources. Renesas' products are provided only subject to Renesas' Terms and Conditions of Sale or other applicable terms agreed to in writing. No use of any Renesas resources expands or otherwise alters any applicable warranties or warranty disclaimers for these products.

(Rev.1.0 Mar 2020)

Corporate Headquarters

TOYOSU FORESIA, 3-2-24 Toyosu,
Koto-ku, Tokyo 135-0061, Japan
www.renesas.com

Contact Information

For further information on a product, technology, the most up-to-date version of a document, or your nearest sales office, please visit:
www.renesas.com/contact/

Trademarks

Renesas and the Renesas logo are trademarks of Renesas Electronics Corporation. All trademarks and registered trademarks are the property of their respective owners.