



**ON Semiconductor®**

<http://onsemi.com>

# LV5216CS

---

Bi-CMOS IC

## LED Driver

### Overview

The LV5216CS is 10ch LED driver IC for the cell phones with built-in charge pump circuit.

### Features

- LED driver ×10 channels (MAIN, 3-color, 1-color) and charge pump circuit incorporated.
- Each LED driver current value adjusted by serial bus.
- Main LED automatic luminance control with illumination sensor incorporated.
- Usable both the LOG type and the linear type illumination sensor.
- Output level changeover possible for illumination sensor ON/OFF control output.
- Ringing tone and 3-color LEDs synchronization function incorporated.
- Gradation function incorporated (3-color LEDs)

### Function

- Charge pump circuit ((One time and automatic switch method of 1.5 times) 5.0V time fixed output 1.5 times)
- LED driver

    Main LCD backlight LED driver ×6 with automatic luminance control

        LED current 5-bit changeover (0.6 to 19.2mA)

        Fade IN / OUT function.

        External brightness control function.

        MLED5 and MLED6 independently controllable. Full ON possible.

        Dim mode 3-bit changeover (0.2mA to 1.6mA)

    3-color LEDs driver ×1

        LED current 5-bit changeover (0.6 to 19.2mA)

        Gradation function

        Ringing tone synchronization function (Forced to operate at SCTL: H)

    1-color LED driver ×1

        LED current 5-bit changeover (0.6 to 19.2mA)

        2-fold current mode available

# LV5216CS

## Specifications

### Maximum Ratings at Ta = 25°C

Parameter	Symbol	Conditions	Ratings	Unit
Maximum supply voltage	V <sub>CC</sub> max		4.5	V
Maximum pin voltage	V <sub>I</sub> max	LED driver, charge pump circuit	6	V
Allowable power dissipation	P <sub>d</sub> max	* Mounted on a circuit board	850	mW
Operating temperature	T <sub>opr</sub>		-30 to +75	°C
Storage temperature	T <sub>stg</sub>		-40 to +125	°C

\* Specified board: 40mm × 50mm × 0.8mm, glass epoxy board. (2S2P (4-layer board))

Stresses exceeding Maximum Ratings may damage the device. Maximum Ratings are stress ratings only. Functional operation above the Recommended Operating Conditions is not implied. Extended exposure to stresses above the Recommended Operating Conditions may affect device reliability.

### Operating Conditions at Ta = 25°C

Parameter	Symbol	Conditions	Ratings	Unit
Supply voltage 1	V <sub>BAT</sub>		3.0 to 4.5	V
Supply voltage 2	V <sub>DD</sub>		1.7 to V <sub>BAT</sub>	V

### Electrical Characteristics at Ta = 25°C, V<sub>CC</sub> = 5.0V

Parameter	Symbol	Conditions	Ratings			Unit
			min	typ	max	
Consumption current						
Consumption current	I <sub>CC1</sub>	RESET:L (standby mode)		0	5	μA
	I <sub>CC2</sub>	RESET:H (sleep mode)		0.3	5.0	μA
	I <sub>CC3</sub>	charge pump: ON		4	7	mA
Charge pump block						
Output voltage	V <sub>O1</sub>	I <sub>O</sub> =50mA One time		3.65		V
	V <sub>O2</sub>	I <sub>O</sub> =50mA 1.5 times		5.0		V
Resistance current	I <sub>LM</sub>	1.5 times mode V <sub>BAT</sub> =3.4V >4V	170			mA
Charge pump change voltage						
Threshold voltage	V <sub>D1</sub>	When you set the voltage of the LED pin and the MAIN current value 19.2mA		0.25	0.35	V
Charge pump clock block						
Clock frequency	F <sub>OSC</sub>		400	500	600	kHz
LED driver block						
Minimum output current value	I <sub>MIN1</sub>	MAIN LED driver, Serial data=#00, V <sub>O</sub> =0.5V	0.2	0.6	1.7	mA
	I <sub>MIN2</sub>	3+1-color LED driver, Serial data=#00, V <sub>O</sub> =0.5V	0.2	0.6	1.7	mA
	I <sub>MIN3</sub>	1-color LED driver, Serial data=#00, V <sub>O</sub> =0.5V, 2 times current mode	0.4	1.2	3.4	mA
Maximum output current value	I <sub>MAX1</sub>	MAIN LED driver, Serial data=#FF, V <sub>O</sub> =0.5V	18.0	19.2	20.4	mA
	I <sub>MAX2</sub>	3+1-color LED driver, Serial data=#FF, V <sub>O</sub> =0.5V	18.0	19.2	20.4	mA
	I <sub>MAX3</sub>	1-color LED driver, Serial data=#FF, V <sub>O</sub> =0.5V, 2 times current mode	36.0	38.4	40.8	mA
Non-linearity error	LE	*1	-2		2	LSB
Differential linearity error	DLE	*2	-2		2	LSB
Maximum output current	ΔIL1	MAIN LED driver Maximum current setting V <sub>O</sub> =2 or 0.2V	-10			%
	ΔIL2	3+1-color LED driver Maximum current setting V <sub>O</sub> =4 to 0.35V	-10			%
Leakage current	IL1	MAIN LED driver, LED driver: OFF, V <sub>O</sub> =5V			1	μA
	IL2	3+1-color LED driver, LED driver: OFF, V <sub>O</sub> =5V			1	μA
External CTL current	V <sub>EM1</sub>	MLED fixed current mode current value, MICTL pin voltage =1.8V, RT2=100kΩ, Serial MISW: Difference current with turning OFF, MICTLC:01h	-0.05	0	0.05	mA
	V <sub>EM2</sub>	MLED fixed current mode current value, MICTL pin voltage =0.98V, RT2=100kΩ, Serial MISW: Ratio to current value when turning it OFF, MICTLC:01h	45	50	55	%

Continued on next page.

# LV5216CS

Continued from preceding page.

Parameter	Symbol	Conditions	Ratings			Unit
			min	typ	max	
External CTL current	$V_{EM3}$	MLED fixed current mode current value, MICTL pin voltage =0V, RT2=100k $\Omega$ , MICTLC: 01h * Operation to erase LED by 0V impression is NG as for the MICTL pin.		0	0.5	mA
ON resistance for SW mode	FONR	MLED5 and 6: SW mode, $I_L$ =-30mA		10		$\Omega$
Illuminance sensor information input circuit (LOG type)						
PTD pin thresh voltage 1	VPLG1	Voltage of change PTD pin of 1 in brightness and 2 in brightness, Serial TAD=0.42V, TAU=0.84 setting	0.197	0.247	0.297	V
PTD pin thresh voltage 2	VPLG15	Voltage of change PTD pin of 15 in brightness and 16 in brightness, Serial TAD=0.42V, TAU=0.84 setting	0.752	0.843	0.920	V
PTD pin thresh voltage difference 1	$\Delta VPLG$	Difference of voltage of change PTD pin of change voltage of PTD pin, brightness n+2, and n+1 in brightness of brightness n+1 and n in brightness	$VPLG_{n+1}-VPLG_n \times 0 (1 \leq n \leq 14)$			V
Illuminance sensor information input circuit (Linear type)						
PTD pin thresh voltage 3	VPLN1	Voltage of change PTD pin of 1 in brightness and 2 in brightness, Serial TAU=0.84 setting	0.01	0.03	0.05	V
PTD pin thresh voltage 4	VPLN9A	Voltage of change PTD pin of 9 in brightness and 10 in brightness, Serial TAU=0.84 setting, PTGSW: open	0.84	0.99	1.14	V
PTD pin thresh voltage difference 2	$\Delta VPLNL$	Difference of voltage of change PTD pin of change voltage of PTD pin, brightness n+2, and n+1 in brightness of brightness n+1 and n in brightness	$VPLN_{n+1}-VPLN_n \times 0 (1 \leq n \leq 8)$			V
PTD pin thresh voltage 5	VPLN8B	Voltage of change PTD pin of 8 in brightness and 9 in brightness, Serial TAU=0.84 setting, PTGSW: ON	0.04	0.06	0.08	V
PTD pin thresh voltage 6	VPLN15	Voltage of change PTD pin of 15 in brightness and 16 in brightness, Serial TAU=0.84 setting	1.08	1.23	1.38	V
PTD pin thresh voltage difference 3	$\Delta VPLNH$	Difference of voltage of change PTD pin of change voltage of PTD pin, brightness n+2, and n+1 in brightness of brightness n+1 and n in brightness	$VPLN_{n+1}-VPLN_n \times 0 (8 \leq n \leq 14)$			V
Control circuit block						
H level 1	$V_{INH1}$	Input H level Serial	$V_{DD} \times 0.8$			V
L level 1	$V_{INL1}$	Input L level Serial	0		$V_{DD} \times 0.2$	V
H level 2	$V_{INH2}$	Input H level RESET SCTL	1.5			V
L level 2	$V_{INL2}$	Input L level RESET SCTL	0		0.3	V
H output level 1	$V_{HO1}$	Output H level PTEN $I_L$ =1mA Serial PTENH: $V_{BAT}$ setting	$V_{BAT} - 0.3$			V
H output level 2	$V_{HO2}$	Output H level PTEN $I_L$ =1mA Serial PTENH: $V_{DD}$ setting	$V_{DD} - 0.3$			V
L output level 1	$V_{LO1}$	Output L level PTEN $I_L$ =1mA	0		0.3	V

\*1. Non-linearity error: The difference between the actual and ideal current values.

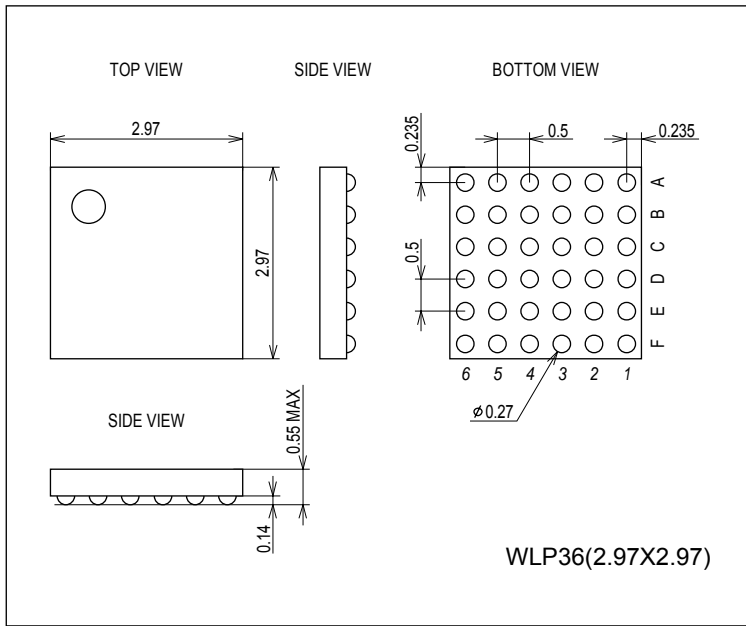
\*2. Differential linearity error: The difference between the actual and ideal increment when one low-order bit value is added.

# LV5216CS

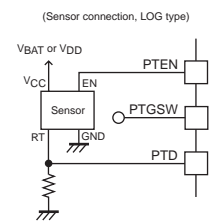
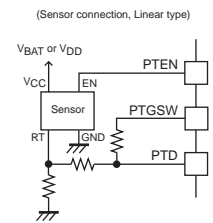
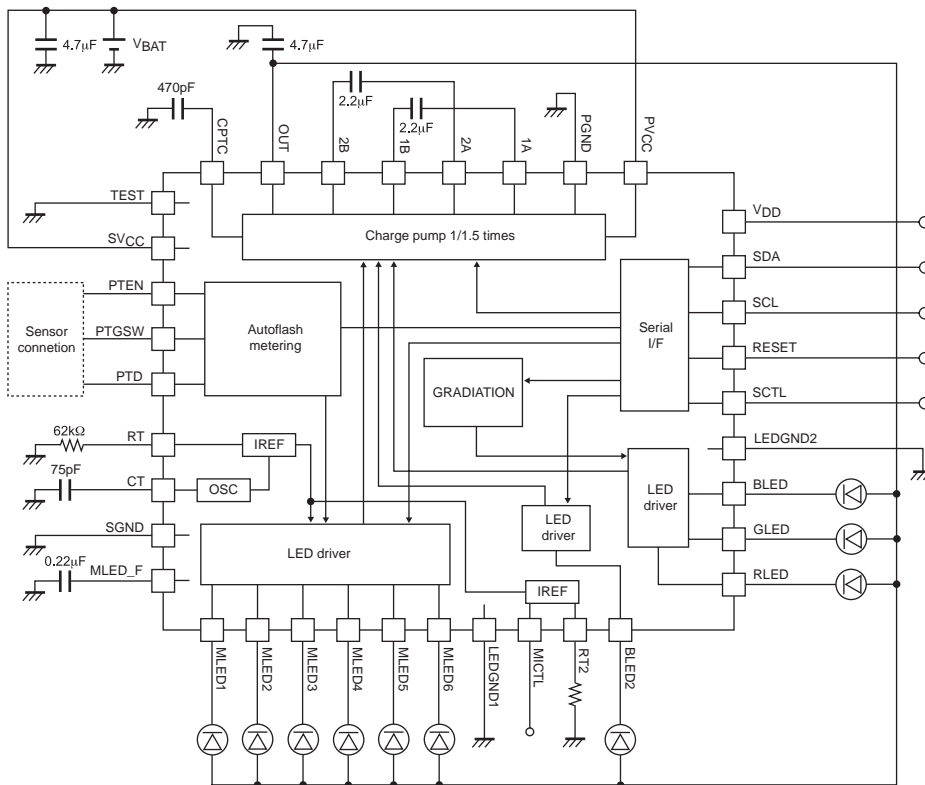
## Package Dimensions

unit : mm (typ)

3412

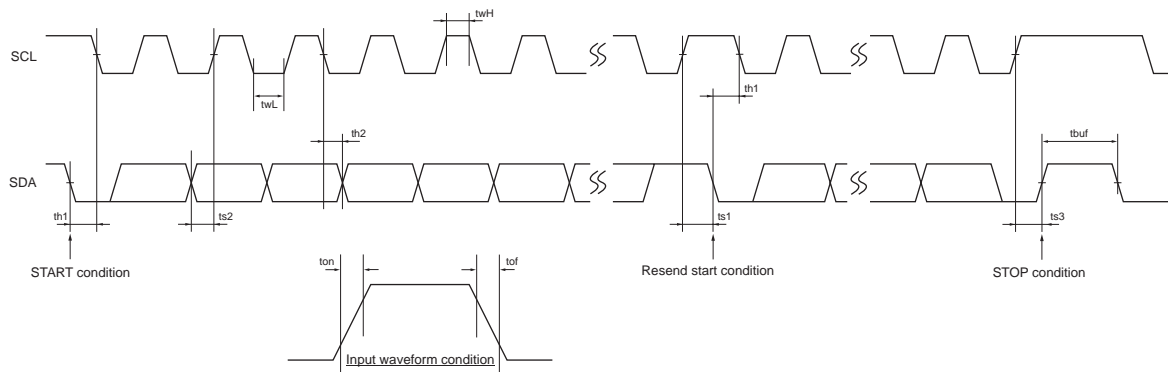


## Block Diagram & Pin arrangement drawing



Serial Bus Communication Specifications

1) I<sup>2</sup>C serial transfer timing conditions



Standard mode

Parameter	Symbol	Conditions	Min.	Typ.	Max.	Unit
SCL clock frequency	fsc1	SCL clock frequency	0	-	100	kHz
Data setup time	ts1	SCL setup time relative to the fall of SDA	4.7	-	-	μs
	ts2	SDA setup time relative to the rise of SCL	250	-	-	ns
	ts3	SCL setup time relative to the rise of SDA	4.0	-	-	μs
Data hold time	th1	SCL hold time relative to the fall of SDA	4.0	-	-	μs
	th2	SDA hold time relative to the fall of SCL	0	-	-	μs
Pulse width	twL	SCL pulse width for the L period	4.7	-	-	μs
	twH	SCL pulse width for the H period	4.0	-	-	μs
Input waveform conditions	ton	SCL and SDA (input) rise time	-	-	1000	ns
	tof	SCL and SDA (input) fall time	-	-	300	ns
Bus free time	tbuf	Time between STOP condition and START condition	4.7	-	-	μs

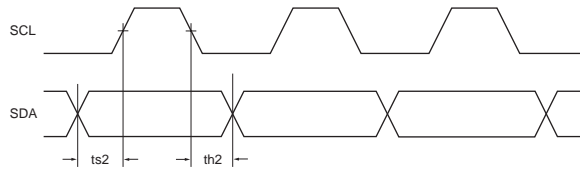
High-speed mode

Parameter	Symbol	Conditions	Min.	Typ.	Max.	Unit
SCL clock frequency	fsc1	SCL clock frequency	0	-	400	kHz
Data setup time	ts1	SCL setup time relative to the fall of SDA	0.6	-	-	μs
	ts2	SDA setup time relative to the rise of SCL	100	-	-	ns
	ts3	SCL setup time relative to the rise of SDA	0.6	-	-	μs
Data hold time	th1	SCL hold time relative to the fall of SDA	0.6	-	-	μs
	th2	SDA hold time relative to the fall of SCL	0	-	-	μs
Pulse width	twL	SCL pulse width for the L period	1.3	-	-	μs
	twH	SCL pulse width for the H period	0.6	-	-	μs
Input waveform conditions	ton	SCL and SDA (input) rise time	-	-	300	ns
	tof	SCL and SDA (input) fall time	-	-	300	ns
Bus free time	tbuf	Time between STOP and START conditions	1.3	-	-	μs

## 2) I<sup>2</sup>C bus transfer method

### Start and stop conditions

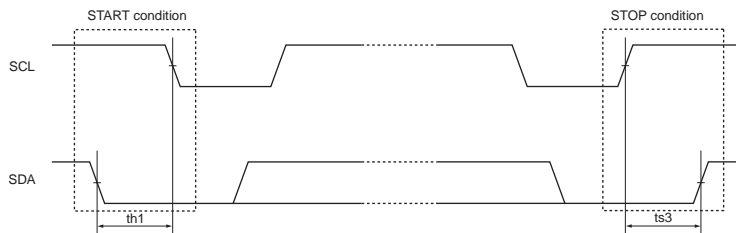
During data transfer operation using the I<sup>2</sup>C bus, SDA must basically be kept in constant state while SCL is "H" as shown below.



When data is not being transferred, both SCL and SDA are set in the "H" state.

When SCL=SDA is "H," the start condition is established when SDA is changed from "H" to "L," and access is started.

When SCL is "H," the stop condition is established when SDA is changed from "L" to "H," and access is ended.



### Data transfer and acknowledgement response

After the start condition has been established, the data is transferred one byte (8 bits) at a time.

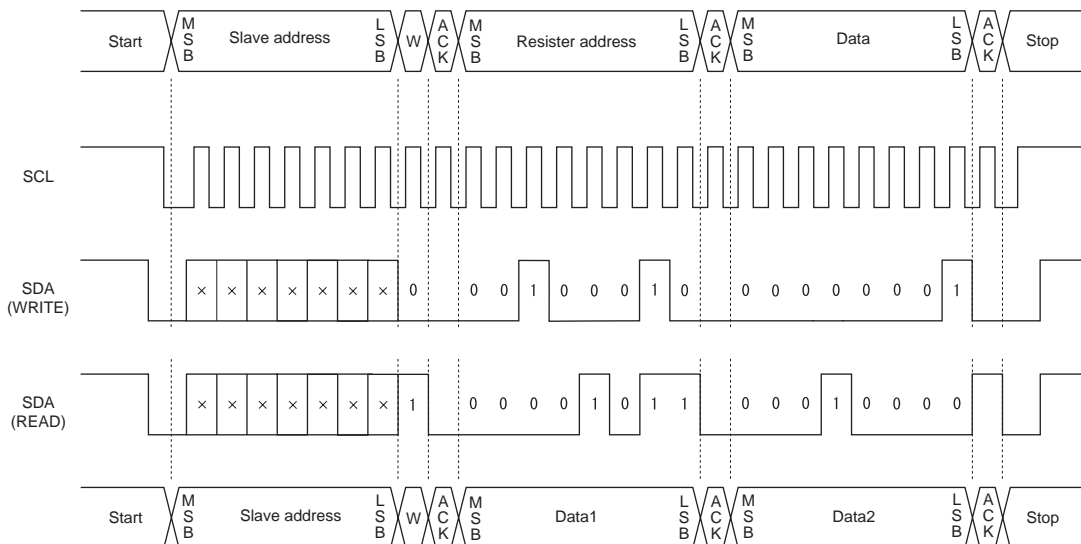
Any number of bytes of data can be transferred continuously.

Each time the 8-bit data is transferred, the ACK signal is sent from the receive side to the send side. The ACK signal is issued when SDA on the send side is released and SDA on the receive side is set to "L" immediately after fall of the clock pulse at the SCL eighth bit of data transfer to "L."

When the next 1-byte transfer is left in the receive state after sending the ACK signal from the receive side, the receive side releases SDA at the fall of the SCL ninth clock.

In the I<sup>2</sup>C bus, there is no CE signal. In its place, a 7-bit slave address is assigned to each device, and the first byte of transfer is assigned to the command (R/W) representing the 7-bit address and subsequent transfer direction. Note that only write is valid in this IC. The 7-bit address is transferred sequentially starting with MSB, and the eighth bit is set to "L" which indicates a write.

In the LV5216CS the slave address is specified as "1110100"



# LV5216CS

## Data transfer writing format

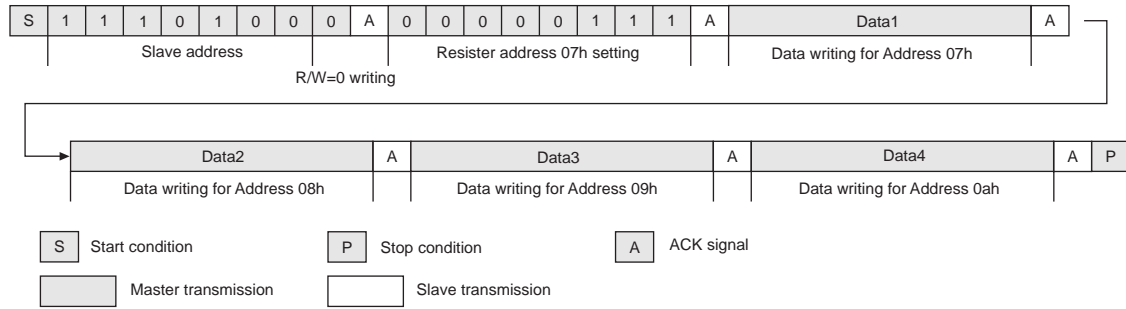
In the first one byte, the slave address and the Write command are allocated, and the following one byte specifies the register address in the cereal map.

The register address is done after the fourth byte be to do the data transfer to the address specified in the register address written in the third byte and the 2nd byte, and to continue data after that and the increment is done by the automatic operation.

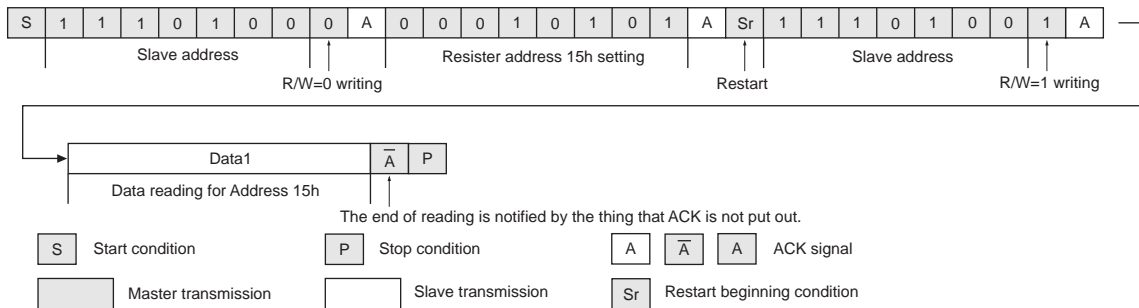
As a result, a data continuous sending from a specified address becomes possible.

However, when the address becomes 3fh, the forwarding address of the following byte becomes 00h.

## Example of writing data



## Example of reading data



ON Semiconductor and the ON logo are registered trademarks of Semiconductor Components Industries, LLC (SCILLC). SCILLC owns the rights to a number of patents, trademarks, copyrights, trade secrets, and other intellectual property. A listing of SCILLC's product/patent coverage may be accessed at [www.onsemi.com/site/pdf/Patent-Marking.pdf](http://www.onsemi.com/site/pdf/Patent-Marking.pdf). SCILLC reserves the right to make changes without further notice to any products herein. SCILLC makes no warranty, representation or guarantee regarding the suitability of its products for any particular purpose, nor does SCILLC assume any liability arising out of the application or use of any product or circuit, and specifically disclaims any and all liability, including without limitation special, consequential or incidental damages. "Typical" parameters which may be provided in SCILLC data sheets and/or specifications can and do vary in different applications and actual performance may vary over time. All operating parameters, including "Typicals" must be validated for each customer application by customer's technical experts. SCILLC does not convey any license under its patent rights nor the rights of others. SCILLC products are not designed, intended, or authorized for use as components in systems intended for surgical implant into the body, or other applications intended to support or sustain life, or for any other application in which the failure of the SCILLC product could create a situation where personal injury or death may occur. Should Buyer purchase or use SCILLC products for any such unintended or unauthorized application, Buyer shall indemnify and hold SCILLC and its officers, employees, subsidiaries, affiliates, and distributors harmless against all claims, costs, damages, and expenses, and reasonable attorney fees arising out of, directly or indirectly, any claim of personal injury or death associated with such unintended or unauthorized use, even if such claim alleges that SCILLC was negligent regarding the design or manufacture of the part. SCILLC is an Equal Opportunity/Affirmative Action Employer. This literature is subject to all applicable copyright laws and is not for resale in any manner.