

LC898122XA



ON Semiconductor®

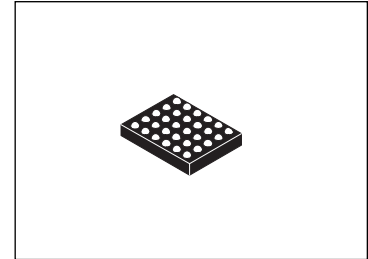
www.onsemi.com

CMOS LSI

Optical Image Stabilization (OIS) / Auto Focus (AF) Controller & Driver

Overview

LC898122XA is a system LSI (WLP type) integrating a digital signal processing function for Optical Image Stabilization (OIS) / Auto Focus (AF) control and driver.



WLCSP30, 2.59x1.99

Function

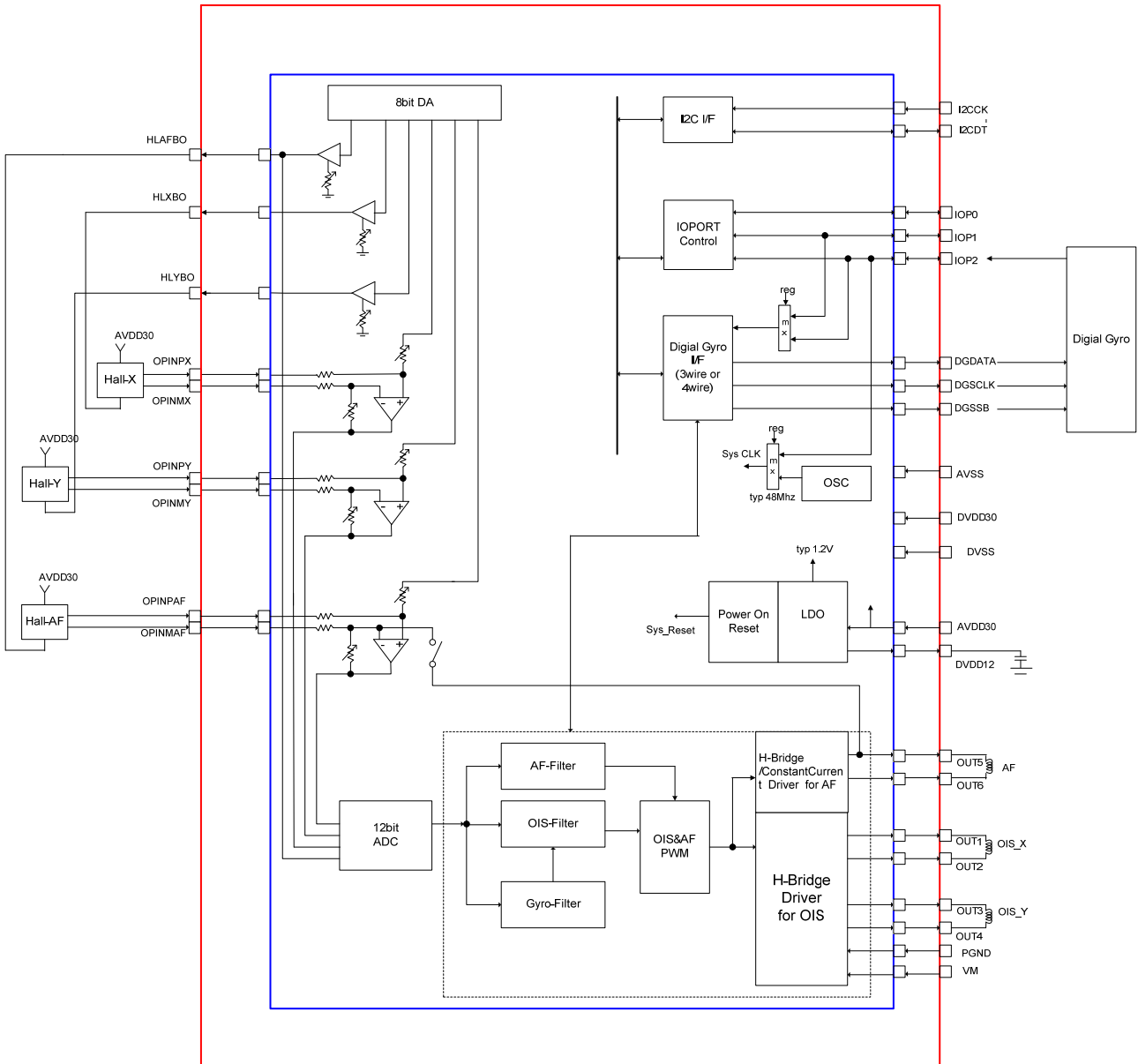
- Digital signal processing
 - Built-in digital servo circuit
 - Built-in Gyro filter
 - AD converter
 - 12bit
 - Input 3ch
 - Equipped with a sample-hold circuit
 - DA converter
 - 8bit
 - Output 3ch
 - Built-in Serial I/F circuit (2-wire I²C-Bus)
 - Built-in Hall Bias circuit
 - Built-in Hall Amp
(Gain of Op-amp :
×6, ×12, ×50, ×75, ×100, ×150, ×200)
 - Built-in OSC (Oscillator)
 - Typ. 48MHz
 - Built-in LDO (Low Drop-Out regulator)
 - Digital Gyro I/F for the companies (SPI Bus)
(Please refer for the details)
- Motor Driver
 - OIS control & drive H bridge ×2ch, I_{Omax} : 220mA
 - AF control & driver H bridge/constant current ×1ch : 150mA
- Package
 - WLCSP30, 2.59mm × 1.99mm,
thickness Max. 0.45mm, with B/C
 - Pb-Free / Halogen Free
- Power Supply Voltage
 - AD/DA/VGA/LDO/OSC : AVDD30 = 2.6V to 3.6V
 - Digital I/O : DVDD30 = 2.6V to 3.6V
 - Driver : VM = 2.6V to 3.6V
 - Core Logic : Generation in LDO
DVDD12 = typ 1.2V output

* I²C Bus is a trademark of Philips Corporation.

ORDERING INFORMATION

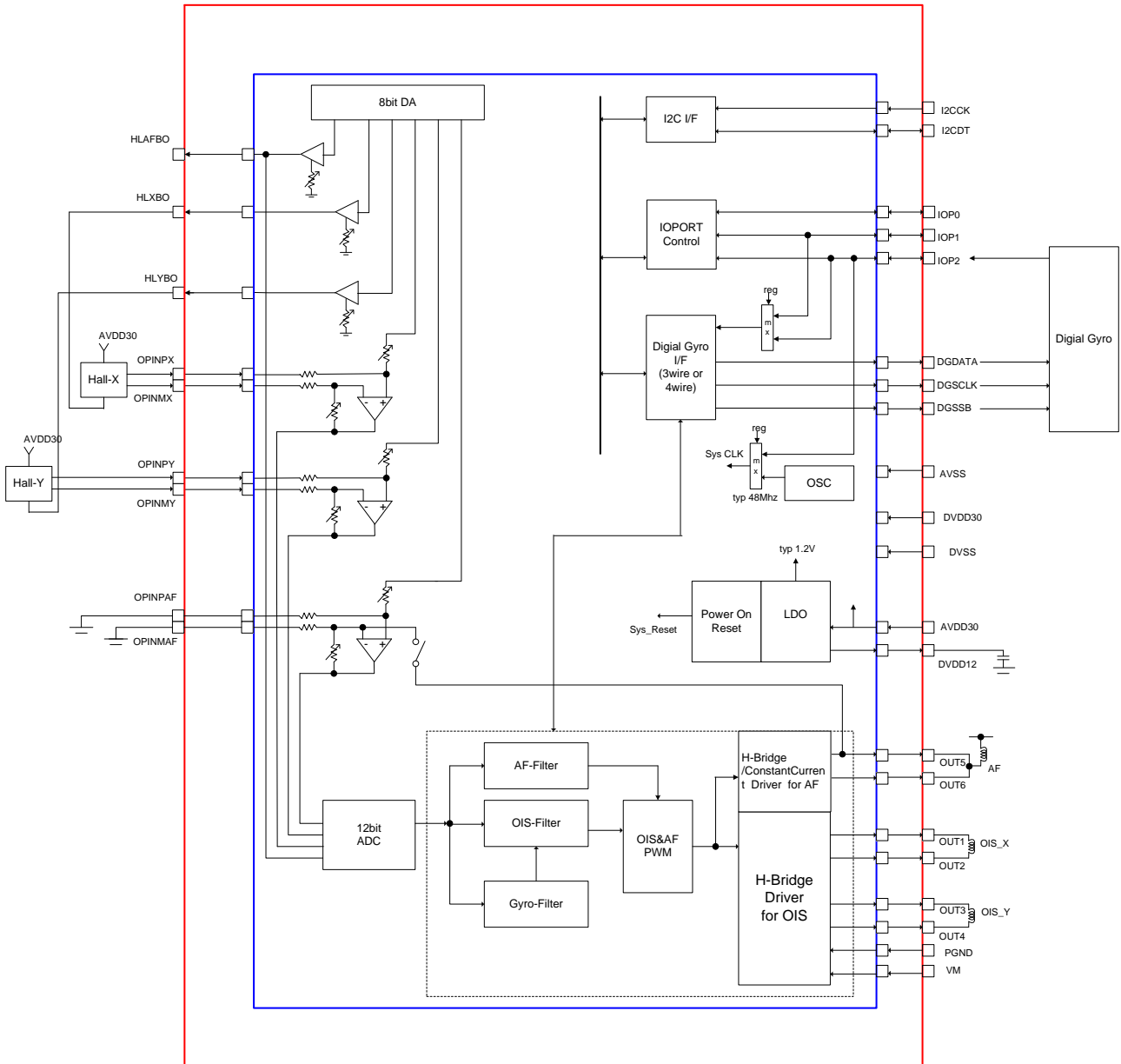
See detailed ordering and shipping information on page 7 of this data sheet.

Block Diagram



Example of wiring diagram [Hall, Closed AF] in LC898122XA

LC898122XA

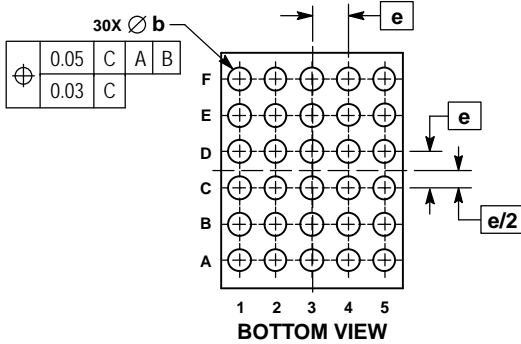
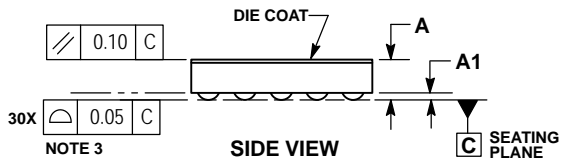
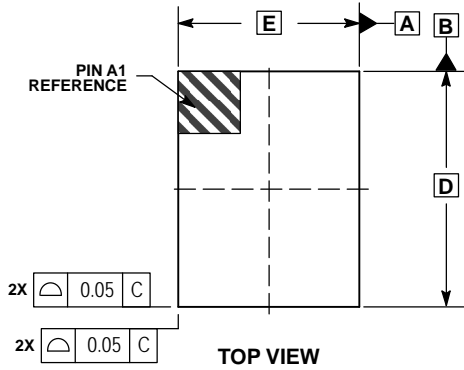


Example of wiring diagram [Hall(OIS), Open AF] in LC898122XA

Package Dimensions

unit : mm

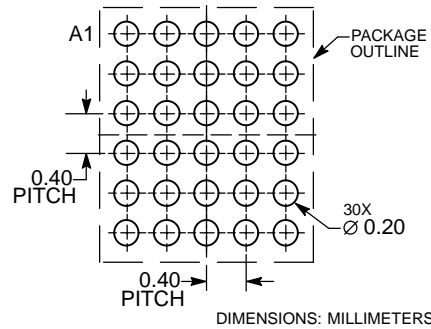
WLCSP30, 2.59x1.99
CASE 567HG
ISSUE O



- NOTES:
1. DIMENSIONING AND TOLERANCING PER ASME Y14.5M, 1994.
 2. CONTROLLING DIMENSION: MILLIMETERS.
 3. COPLANARITY APPLIES TO SPHERICAL CROWNS OF SOLDER BALLS.

DIM	MILLIMETERS	
	MIN	MAX
A	---	0.45
A1	0.03	0.13
b	0.15	0.25
D	2.59 BSC	
E	1.99 BSC	
e	0.40 BSC	

RECOMMENDED SOLDERING FOOTPRINT*



DIMENSIONS: MILLIMETERS

*For additional information on our Pb-Free strategy and soldering details, please download the ON Semiconductor Soldering and Mounting Techniques Reference Manual, SOLDERRM/D.

Pin Assignment

Bottom View

	OUT5	OUT4	OUT3	PGND	OUT2	OUT1
5	OUT6	DGDATA	DGSSB	VM	I2CDT	I2CCK
4	HAFBO	DVSS	DGSCLK	DVDD30	IOP2	IOP1
3	HLYBO	HLXBO	OPINMAF	OPINMX	OPINMY	IOP0
2	OPINPAF	OPINPX	OPINPY	AVSS	AVDD30	DVDD12
1	F	E	D	C	B	A

- Driver
- Analog VDD
- Analog GND
- Digital GND
- Digital VDD
- Logic Core VDD (Output)

LC898122XA

<typ> I : INPUT, O : OUTPUT, B : BIDIRECTION, P : Power

Ball No	Pin Name	type	Description
A1	DVDD12	P	LDO Power supply out (Logic Core VDD (typ 1.2V))
A2	IOP0	B	General-purpose IOPORT
A3	IOP1	B	General-purpose IOPORT
A4	I2CCK	I	I2C IF clock
A5	OUT1	O	OIS Driver output (H bridge)
B1	AVDD30	P	Analog Power (2.6 to 3.6V)
B2	OPINMY	I	OIS Hall-Y OpAmp input-
B3	IOP2	B	General-purpose IOPORT/ External Clock input (switch from OSC at Register)
B4	I2CDT	B	I2C_IF Data
B5	OUT2	O	OIS Driver output (H bridge)
C1	AVSS	P	Analog GND
C2	OPINMX	I	OIS Hall-X OpAmp input-
C3	DVDD30	P	IO Power (2.6V to 3.6V)
C4	VM	P	Driver Power (2.6V to 3.6V)
C5	PGND	P	Driver GND
D1	OPINPY	I	Hall-Y Bias (Current Drive) for OIS
D2	OPINMAF	I	AF Hall OpAmp input-
D3	DGSCCLK	B	Digital Gyro IF clock / General-purpose IOPORT
D4	DGSSB	B	Digital Gyro IF Chip Select / General-purpose IOPORT
D5	OUT3	O	OIS Driver output (H bridge)
E1	OPINPX	I	Hall-X OpAmp input+ for OIS
E2	HLXBO	O	Hall-X Bias (Current Driver) for OIS
E3	DVSS	P	Logic GND
E4	DGDATA	B	Digital Gyro IF Data (3wire : Data in/out, 4wire : Data out)
E5	OUT4	O	OIS Driver output (H bridge)
F1	OPINPAF	I	AF Hall OpAmp input+
F2	HLXBO	O	Hall-Y Bias (current drive) for OIS
F3	HAFBFO	O	Hall Bias (current drive) for AF
F4	OUT6	O	AF Driver output (H bridge/constant current)
F5	OUT5	O	AF Driver output (H bridge/constant current)

ORDERING INFORMATION

Device	Package	Shipping (Qty / Packing)
LC898122XA-VH	WLCSP30, 2.59x1.99 (Pb-Free / Halogen Free)	5000 / Tape & Reel

† For information on tape and reel specifications, including part orientation and tape sizes, please refer to our Tape and Reel Packaging Specifications Brochure, BRD8011/D. http://www.onsemi.com/pub_link/Collateral/BRD8011-D.PDF

ON Semiconductor and the ON logo are registered trademarks of Semiconductor Components Industries, LLC (SCILLC) or its subsidiaries in the United States and/or other countries. SCILLC owns the rights to a number of patents, trademarks, copyrights, trade secrets, and other intellectual property. A listing of SCILLC's product/patent coverage may be accessed at www.onsemi.com/site/pdf/Patent-Marking.pdf. SCILLC reserves the right to make changes without further notice to any products herein. SCILLC makes no warranty, representation or guarantee regarding the suitability of its products for any particular purpose, nor does SCILLC assume any liability arising out of the application or use of any product or circuit, and specifically disclaims any and all liability, including without limitation special, consequential or incidental damages. "Typical" parameters which may be provided in SCILLC data sheets and/or specifications can and do vary in different applications and actual performance may vary over time. All operating parameters, including "Typicals" must be validated for each customer application by customer's technical experts. SCILLC does not convey any license under its patent rights nor the rights of others. SCILLC products are not designed, intended, or authorized for use as components in systems intended for surgical implant into the body, or other applications intended to support or sustain life, or for any other application in which the failure of the SCILLC product could create a situation where personal injury or death may occur. Should Buyer purchase or use SCILLC products for any such unintended or unauthorized application, Buyer shall indemnify and hold SCILLC and its officers, employees, subsidiaries, affiliates, and distributors harmless against all claims, costs, damages, and expenses, and reasonable attorney fees arising out of, directly or indirectly, any claim of personal injury or death associated with such unintended or unauthorized use, even if such claim alleges that SCILLC was negligent regarding the design or manufacture of the part. SCILLC is an Equal Opportunity/Affirmative Action Employer. This literature is subject to all applicable copyright laws and is not for resale in any manner.