



# LV8734V

Monolithic Linear IC

## PWM Constant-Current Control Stepper Motor Driver

ON Semiconductor®

<http://onsemi.com>

### Overview

The LV8734V is a 2-channel H-bridge driver IC that can switch a stepper motor driver, which supports micro-step drive with 1/8-step resolution, and two channels of a brushed motor driver, which supports forward, reverse, brake, and standby of a motor. It is ideally suited for driving brushed DC motors and stepper motors used in office equipment and amusement applications.

### Function

- Single-channel PWM current control stepper motor driver (selectable with DC motor driver channel 2) incorporated.
- BiCDMOS process IC
- Low on resistance (upper side :  $0.48\Omega$  ; lower side :  $0.32\Omega$  ; total of upper and lower :  $0.8\Omega$  ;  $T_a = 25^\circ\text{C}$ ,  $I_O = 1.5\text{A}$ )
- Micro-step mode can be set to Full-step, Half-step, Quarter-step , or 1/8-step
- Excitation step proceeds only by step signal input
- Motor current selectable in four steps
- Output short-circuit protection circuit (selectable from latch-type or auto-reset-type) incorporated
- Unusual condition warning output pins
- Built-in thermal shutdown circuit
- No control power supply required

### Specifications

#### Absolute Maximum Ratings at $T_a = 25^\circ\text{C}$

Parameter	Symbol	Conditions	Ratings	Unit
Supply voltage	$V_M$ max	$V_M$ , $V_{M1}$ , $V_{M2}$	36	V
Output peak current	$I_O$ peak	$t_w \leq 10\text{ms}$ , duty 20%, per 1ch	1.75	A
Output current	$I_O$ max	Per 1ch	1.5	A
Logic input voltage	$V_{IN}$ max	ATT1, ATT2, EMM, RST/BLK, STEP/DC22, FR/DC21, MD2/DC12, MD1/DC11, DM, OE/CMK, ST	-0.3 to +6	V
MONI/EMO input voltage	$V_{mo}/V_{emo}$		-0.3 to +6	V
Allowable power dissipation	$P_d$ max	*	3.25	W
Operating temperature	$T_{opr}$		-40 to +85	$^\circ\text{C}$
Storage temperature	$T_{stg}$		-55 to +150	$^\circ\text{C}$

\* Specified circuit board : 90.0mm×90.0mm×1.6mm, glass epoxy 2-layer board, with backside mounting.

Caution 1) Absolute maximum ratings represent the value which cannot be exceeded for any length of time.

Caution 2) Even when the device is used within the range of absolute maximum ratings, as a result of continuous usage under high temperature, high current, high voltage, or drastic temperature change, the reliability of the IC may be degraded. Please contact us for the further details.

Stresses exceeding Maximum Ratings may damage the device. Maximum Ratings are stress ratings only. Functional operation above the Recommended Operating Conditions is not implied. Extended exposure to stresses above the Recommended Operating Conditions may affect device reliability.

### ORDERING INFORMATION

See detailed ordering and shipping information on page 26 of this data sheet.

# LV8734V

## Allowable Operating Ratings at Ta = 25°C

Parameter	Symbol	Conditions	Ratings	Unit
Supply voltage range	VM	VM, VM1, VM2	9 to 32	V
Logic input voltage	V <sub>IN</sub>	ATT1, ATT2, EMM, RST/BLK, STEP/DC22, FR/DC21, MD2/DC12, MD1/DC11, DM, OE/CMK, ST	0 to 5.5	V
VREF input voltage range	VREF		0 to 3	V

## Electrical Characteristics at Ta = 25°C, VM = 24V, VREF = 1.5V

Parameter	Symbol	Conditions	Ratings			Unit	
			min	typ	max		
Standby mode current drain	IMst	ST = "L", I(VM)+I(VM1)+I(VM2)		100	400	μA	
Current drain	IM	ST = "H", OE = "L", with no load I(VM)+I(VM1)+I(VM2)		3.2	5	mA	
VREG5 output voltage	Vreg5	I <sub>O</sub> = -1mA	4.5	5	5.5	V	
Thermal shutdown temperature	TSD	Design guarantee	150	180	200	°C	
Thermal hysteresis width	ΔTSD	Design guarantee		40		°C	
<b>Motor driver</b>							
Output on resistance	Ronu	I <sub>O</sub> = 1.5A, Upper-side on resistance		0.48	0.63	Ω	
	Rond	I <sub>O</sub> = 1.5A, Lower-side on resistance		0.32	0.42	Ω	
Output leakage current	I <sub>Oleak</sub>				50	μA	
Diode forward voltage	VD	ID = -1.5A		1.2	1.4	V	
Logic input voltage	High	V <sub>INH</sub>	ATT1, ATT2, EMM, RST/BLK, STEP/DC22, FR/DC21, MD2/DC12, MD1/DC11, DM, OE/CMK, ST	2.0		5.5	V
	Low	V <sub>INL</sub>		0		0.8	V
Logic pin input current Except the OE/CMK pin	I <sub>INL</sub>	ATT1, ATT2, EMM, RST/BLK, STEP/DC22, FR/DC21, MD2/DC12, MD1/DC11, DM, ST, V <sub>IN</sub> = 0.8V	4	8	12	μA	
	I <sub>INH</sub>	V <sub>IN</sub> = 5V	30	50	70	μA	
OE / CMK pin input current	I <sub>CMKL</sub>	DM = "L", OE/CMK = 0.8V	4	8	12	μA	
	I <sub>CMKH</sub>	DM = "L", OE/CMK = 5V	30	50	70	μA	
	I <sub>CMK</sub>	DM = "H", OE/CMK = 0V	-32	-25	-18	μA	
OE/CMK pin current LIMIT mask threshold voltage.	V <sub>tCMK</sub>	DM = "H"	1.2	1.5	1.8	V	
Current setting comparator threshold voltage (current step switching)	1/8 step resolution	Vtdac0_2W	Step 0 (When initialized : channel 1 comparator level)	0.291	0.3	0.309	V
		Vtdac1_2W	Step 1 (Initial state+1)	0.285	0.294	0.303	V
		Vtdac2_2W	Step 2 (Initial state+2)	0.267	0.276	0.285	V
		Vtdac3_2W	Step 3 (Initial state+3)	0.240	0.249	0.258	V
		Vtdac4_2W	Step 4 (Initial state+4)	0.201	0.21	0.219	V
		Vtdac5_2W	Step 5 (Initial state+5)	0.157	0.165	0.173	V
		Vtdac6_2W	Step 6 (Initial state+6)	0.107	0.114	0.121	V
	Quarter step resolution	Vtdac0_W	Step 0 (When initialized : channel 1 comparator level)	0.291	0.3	0.309	V
		Vtdac2_W	Step 2 (Initial state+1)	0.267	0.276	0.285	V
		Vtdac4_W	Step 4 (Initial state+2)	0.201	0.21	0.219	V
		Vtdac6_W	Step 6 (Initial state+3)	0.107	0.114	0.121	V
	Half step resolution	Vtdac0_H	Step 0 (When initialized : channel 1 comparator level)	0.291	0.3	0.309	V
		Vtdac4_H	Step 4 (Initial state+1)	0.201	0.21	0.219	V
	Full step resolution	Vtdac4_F	Step 4' (When initialized : channel 1 comparator level)	0.291	0.3	0.309	V
	Current setting comparator threshold voltage (current attenuation rate switching)	Vtatt00	ATT1 = L, ATT2 = L	0.291	0.3	0.309	V
Vtatt01		ATT1 = H, ATT2 = L	0.232	0.24	0.248	V	
Vtatt10		ATT1 = L, ATT2 = H	0.143	0.15	0.157	V	
Vtatt11		ATT1 = H, ATT2 = H	0.053	0.06	0.067	V	

Continued on next page.

# LV8734V

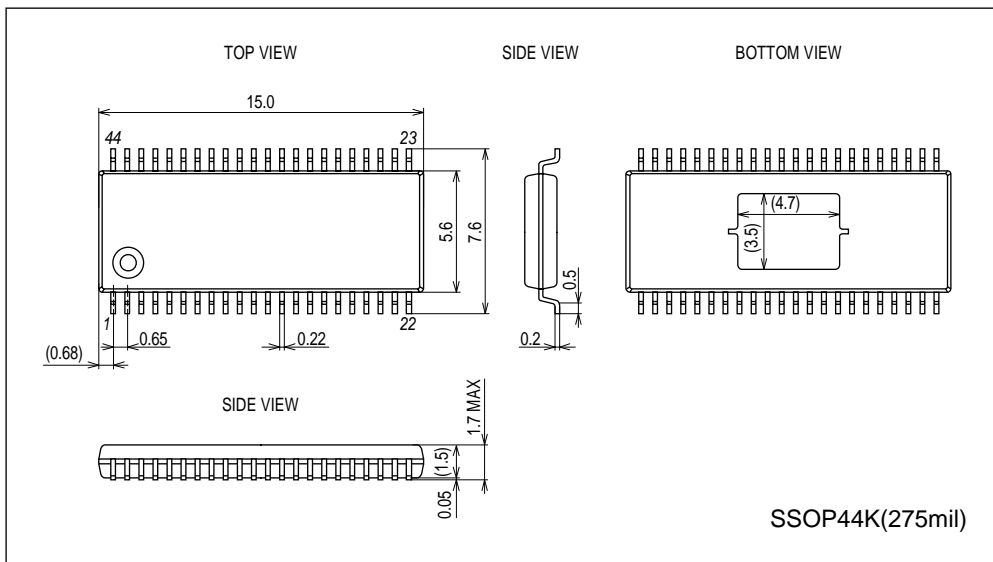
Continued from preceding page.

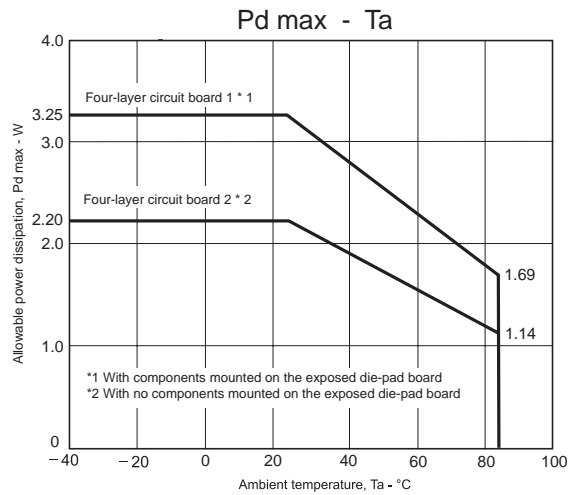
Parameter	Symbol	Conditions	Ratings			Unit
			min	typ	max	
Chopping frequency	Fchop	Cchop = 200pF	40	50	60	kHz
CHOP pin charge/discharge current	Ichop		7	10	13	μA
Chopping oscillation circuit threshold voltage	Vtup		0.8	1	1.2	V
	Vtdown		0.4	0.5	0.6	V
VREF pin input current	Iref	VREF = 1.5V	-0.5			μA
MONI pin saturation voltage	Vsatmon	Imoni = 1mA			400	mV
<b>Charge pump</b>						
VG output voltage	VG		28	28.7	29.8	V
Rise time	tONG	VG = 0.1μF, 0.1μF between CP1-CP2 ST= "H" → VG=VM+4V		200	500	μS
Oscillator frequency	Fosc		90	125	150	kHz
<b>Output short-circuit protection</b>						
EMO pin saturation voltage	Vsatemo	Iemo = 1mA			400	mV
CEM pin charge current	Icem		7	10	13	μA
CEM pin threshold voltage	Vtcem		0.8	1	1.2	V

## Package Dimensions

unit : mm (typ)

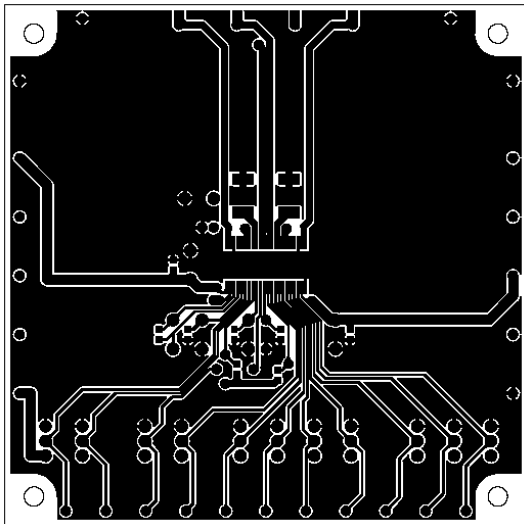
3333A



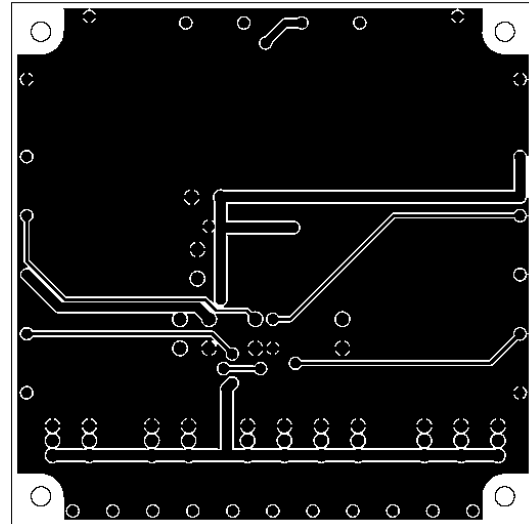


## Substrate Specifications (Substrate recommended for operation of LV8734V)

Size : 90mm × 90mm × 1.6mm (two-layer substrate [2S0P])  
 Material : Glass epoxy  
 Copper wiring density : L1 = 85% / L2 = 90%



L1 : Copper wiring pattern diagram



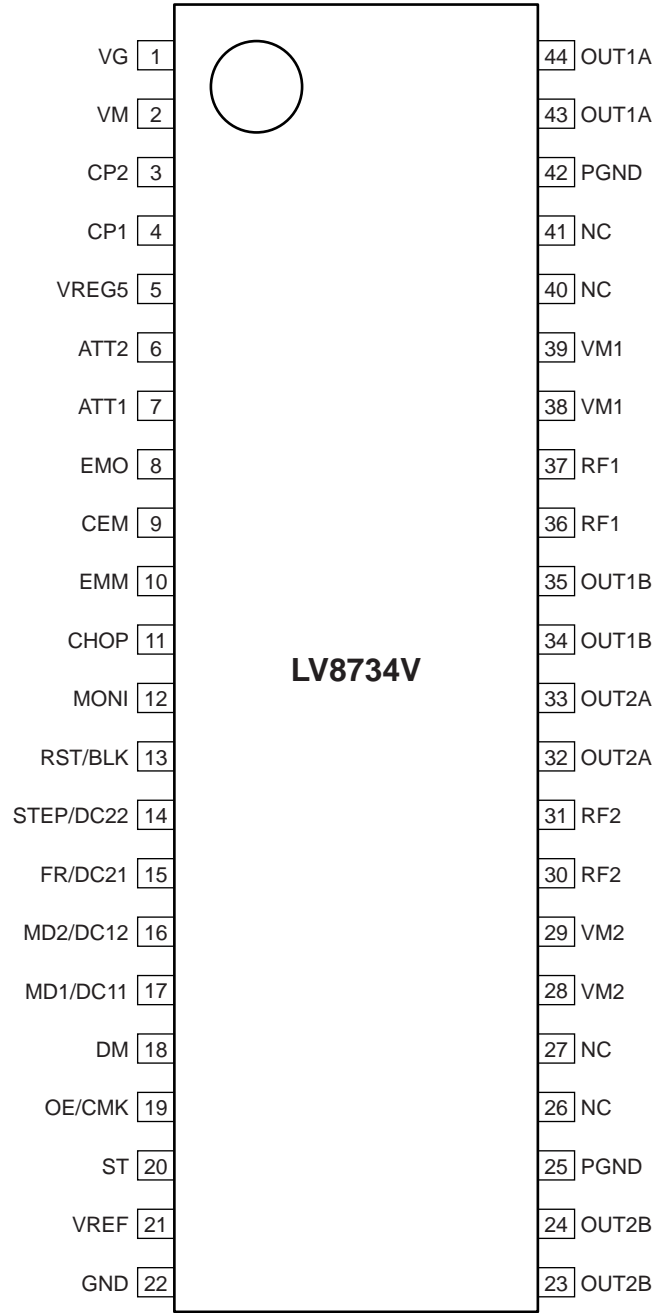
L2 : Copper wiring pattern diagram

## Cautions

- 1) The data for the case with the Exposed Die-Pad substrate mounted shows the values when 90% or more of the Exposed Die-Pad is wet.
- 2) For the set design, employ the derating design with sufficient margin.  
 Stresses to be derated include the voltage, current, junction temperature, power loss, and mechanical stresses such as vibration, impact, and tension.  
 Accordingly, the design must ensure these stresses to be as low or small as possible.  
 The guideline for ordinary derating is shown below :
  - (1)Maximum value 80% or less for the voltage rating
  - (2)Maximum value 80% or less for the current rating
  - (3)Maximum value 80% or less for the temperature rating
- 3) After the set design, be sure to verify the design with the actual product.  
 Confirm the solder joint state and verify also the reliability of solder joint for the Exposed Die-Pad, etc.  
 Any void or deterioration, if observed in the solder joint of these parts, causes deteriorated thermal conduction, possibly resulting in thermal destruction of IC.

# LV8734V

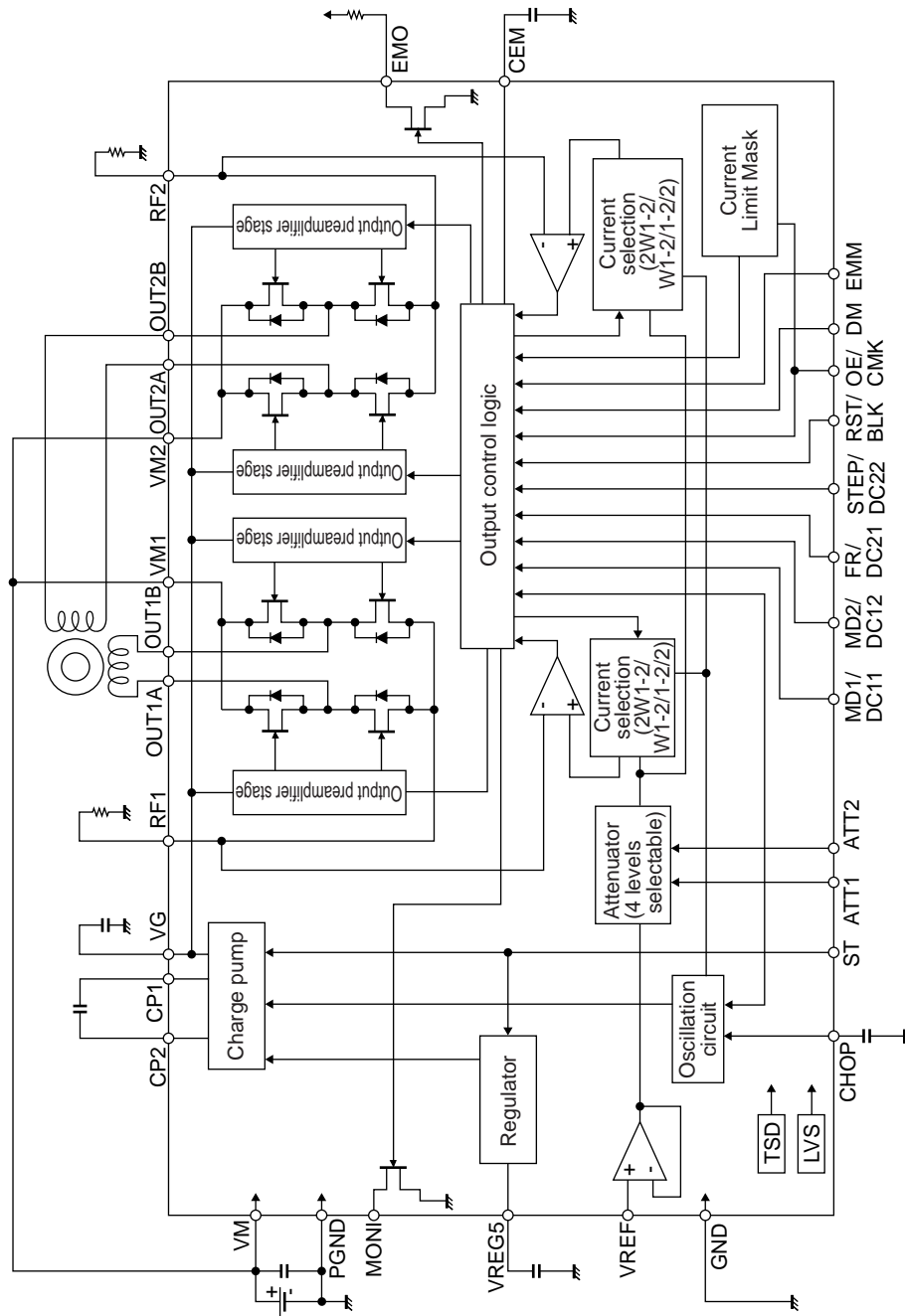
## Pin Assignment



Top view

# LV8734V

## Block Diagram



# LV8734V

## Pin Functions

Pin No.	Pin Name	Pin Function	Equivalent Circuit
6 7 10 13 14 15 16 17 18	ATT2 ATT1 EMM RST/BLK STEP/DC22 FR/DC21 MD2/DC12 MD1/DC11 DM	Motor holding current switching pin. Motor holding current switching pin. Output short-circuit protection mode switching pin. RESET input pin (STM) / Blanking time switching pin (DCM). STEP signal input pin (STM) / Channel 2 output control input pin 2 (DCM). CW / CCW signal input pin (STM) / Channel 2 output control input pin 1 (DCM). Excitation mode switching pin 2 (STM) / Channel 1 output control input pin 2 (DCM). Excitation mode switching pin 1 (STM) / Channel 1 output control input pin 1 (DCM). Drive mode (STM/DCM) switching pin.	
20	ST	Chip enable pin.	
23, 24 25, 42 28, 29 30, 31 32, 33 34, 35 36, 37 38, 39 43, 44	OUT2B PGND VM2 RF2 OUT2A OUT1B RF1 VM1 OUT1A	Channel 2 OUTB output pin. Power system ground. Channel 2 motor power supply connection pin. Channel 2 current-sense resistor connection pin. Channel 2 OUTA output pin. Channel 1 OUTB output pin. Channel 1 current-sense resistor connection pin. Channel 1 motor power supply pin. Channel 1 OUTA output pin.	

Continued on next page.

# LV8734V

Continued from preceding page.

Pin No.	Pin Name	Pin Function	Equivalent Circuit
1 2 3 4	VG VM CP2 CP1	Charge pump capacitor connection pin. Motor power supply connection pin. Charge pump capacitor connection pin. Charge pump capacitor connection pin.	
21	VREF	Constant current control reference voltage input pin.	
5	VREG5	Internal power supply capacitor connection pin.	
8 12	EMO MONI	Output short-circuit state warning output pin. Position detection monitor pin.	

Continued on next page.



# LV8734V

Continued from preceding page.

Pin No.	Pin Name	Pin Function	Equivalent Circuit
9	CEM	Pin to connect the output short-circuit state detection time setting capacitor.	
11	CHOP	Chopping frequency setting capacitor connection pin.	
19	OE/CMK	Output enable signal input pin(STM) / Set capacitor connection pin of time of current LIMIT mask(DCM).	
22	GND	Ground.	
26, 27 40, 41	NC	No Connection (No internal connection to the IC)	

**Description of operation**

1. Input Pin Function

Each input terminal has the function to prevent the flow of the current from an input to a power supply. Therefore, even if a power supply (VM) is turned off in the state that applied voltage to an input terminal, the electric current does not flow into the power supply.

1-1) Chip enable function

This IC is switched between standby and operating mode by setting the ST pin. In standby mode, the IC is set to power-save mode and all logic is reset. In addition, the internal regulator circuit and charge pump circuit do not operate in standby mode.

ST	Mode	Internal regulator	Charge pump
Low or Open	Standby mode	Standby	Standby
High	Operating mode	Operating	Operating

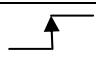
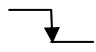
1-2) Drive mode switching pin function

The IC drive mode is switched by setting the DM pin. In STM mode, stepper motor channel 1 can be controlled by the CLK-IN input. In DCM mode, DC motor channel 2 or stepper motor channel 1 can be controlled by parallel input. Stepper motor control using parallel input is Full-step or Half-step full torque.

DM	Drive mode	Application
Low or Open	STM mode	Stepper motor channel 1 (CLK-IN)
High	DCM mode	DC motor channel 2 or stepper motor channel 1 (parallel)

2. STM mode (DM = Low or Open)

2-1) STEP pin function

Input		Operating mode
ST	STP	
Low	*	Standby mode
High		Excitation step proceeds
High		Excitation step is kept

2-2) Excitation mode setting function

MD1	MD2	Micro-step resolution (Excitation mode)	Initial position	
			Channel 1	Channel 2
Low	Low	Full step(2 phase excitation)	100%	-100%
High	Low	Half step(-2 phase excitation)	100%	0%
Low	High	Quarter step (W1-2 phase excitation)	100%	0%
High	High	1/8 step(2W1-2 phase excitation)	100%	0%

This is the initial position of each excitation mode in the initial state after power-on and when the counter is reset.

2-3) Position detection monitoring function

The MONI position detection monitoring pin is of an open drain type. When the excitation position is in the initial position, the MONI output is placed in the ON state. (Refer to "2-12.Examples of current waveforms in each micro-step mode.")

## 2-4) Setting constant-current control reference current

This IC is designed to automatically exercise PWM constant-current chopping control for the motor current by setting the output current. Based on the voltage input to the VREF pin and the resistance connected between RF and GND, the output current that is subject to the constant-current control is set using the calculation formula below :

$$I_{OUT} = (VREF/5)/RF \text{ resistance}$$

\* The above setting is the output current at 100% of each excitation mode.

The voltage input to the VREF pin can be switched to four-step settings depending on the statuses of the two inputs, ATT1 and ATT2. This is effective for reducing power consumption when motor holding current is supplied.

Attenuation function for VREF input voltage

ATT1	ATT2	Current setting reference voltage attenuation ratio
Low	Low	100%
High	Low	80%
Low	High	50%
High	High	20%

The formula used to calculate the output current when using the function for attenuating the VREF input voltage is given below.

$$I_{OUT} = (VREF/5) \times (\text{attenuation ratio})/RF \text{ resistance}$$

Example : At VREF of 1.5V, a reference voltage setting of 100% [(ATT1, ATT2) = (L, L)] and an RF resistance of 0.5Ω, the output current is set as shown below.

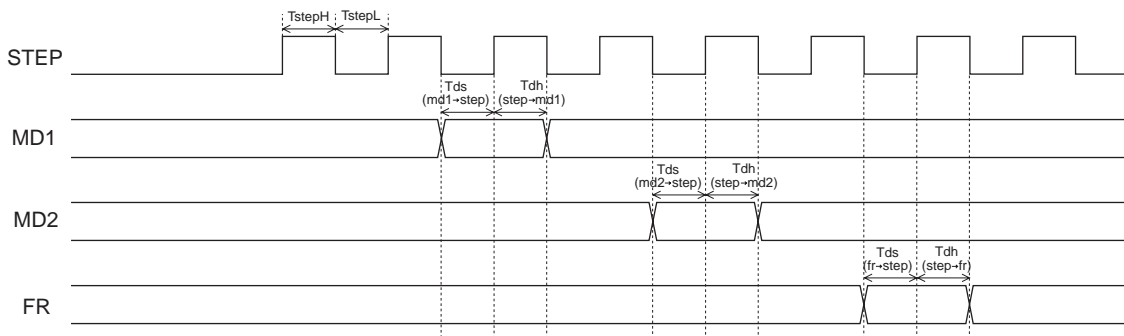
$$I_{OUT} = 1.5V/5 \times 100\%/0.5\Omega = 0.6A$$

If, in this state, (ATT1, ATT2) is set to (H, H), IOOUT will be as follows :

$$I_{OUT} = 0.6A \times 20\% = 120mA$$

In this way, the output current is attenuated when the motor holding current is supplied so that power can be conserved.

## 2-5) Input timing



TstepH/TstepL : Clock H/L pulse width (min 500ns)

Tds : Data set-up time (min 500ns)

Tdh : Data hold time (min 500ns)

## 2-6) Blanking time

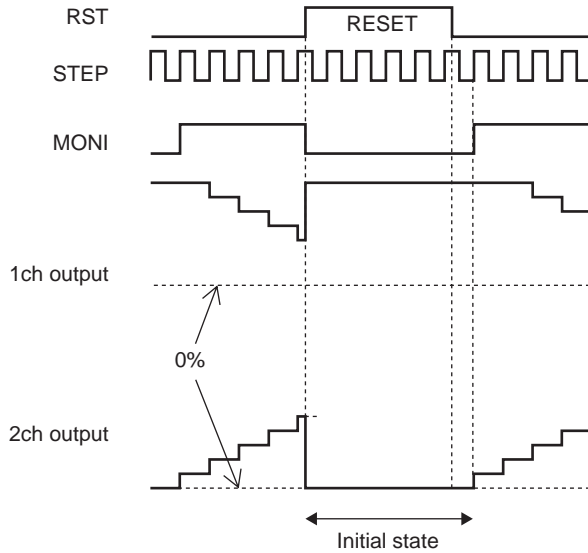
If, when exercising PWM constant-current chopping control over the motor current, the mode is switched from decay to charge, the recovery current of the parasitic diode may flow to the current sensing resistance, causing noise to be carried on the current sensing resistance pin, and this may result in erroneous detection. To prevent this erroneous detection, a blanking time is provided to prevent the noise occurring during mode switching from being received. During this time, the mode is not switched from charge to decay even if noise is carried on the current sensing resistance pin.

In the stepper motor driver mode (DM = Low or Open) of this IC, the blanking time is fixed at approximately 1μs. In the DC motor driver mode (DM = High), the blanking time can be switched to one of two levels using the RST/BLK pin. (Refer to "Blanking time switching function.")

2-7) Reset function

(Only the STM mode. : It change the BLK terminal at DCM mode. It operates as a switch function of the blanking time.  
Refer to (Blanking time switching function))

RST	Operating mode
Low	Normal operation
High	Reset state

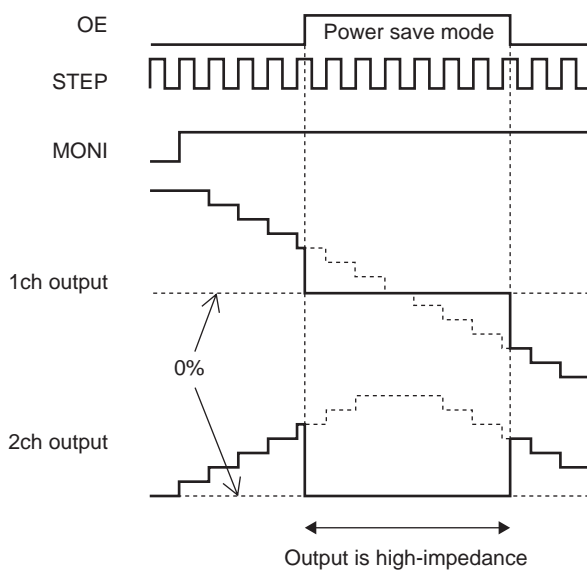


When the RST pin is set to High, the excitation position of the output is forcibly set to the initial state, and the MONI output is placed in the ON state. When RST is then set to Low, the excitation position is advanced by the next STEP input.

2-8) Output enable function

(Only the STM mode. : It change the CMK terminal at DCM mode. It operates as current LIMIT mask function. Refer to (Current limit reference voltage setting function))

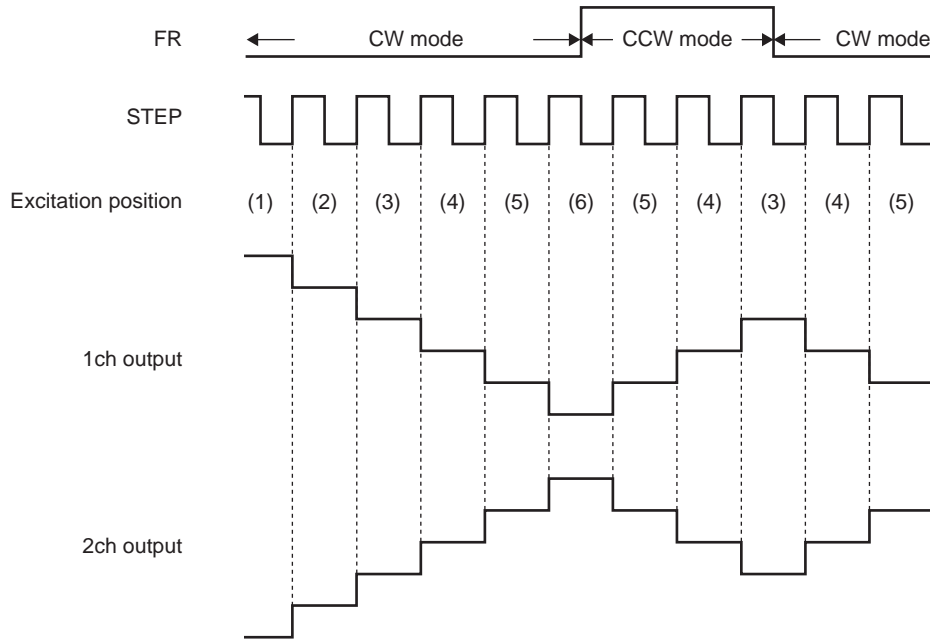
OE	Operating mode
Low	Output ON
High	Output OFF



When the OE pin is set High, the output is forced OFF and goes to high impedance. However, the internal logic circuits are operating, so the excitation position proceeds when the STEP signal is input. Therefore, when OE is returned to Low, the output level conforms to the excitation position proceeded by the STEP input.

## 2-9) Forward/reverse switching function

FR	Operating mode
Low	Clockwise (CW)
High	Counter-clockwise (CCW)



The internal D/A converter proceeds by one bit at the rising edge of the input STEP pulse.  
 In addition, CW and CCW mode are switched by setting the FR pin.  
 In CW mode, the channel 2 current phase is delayed by 90° relative to the channel 1 current.  
 In CCW mode, the channel 2 current phase is advanced by 90° relative to the channel 1 current.

## 2-10) Chopping frequency setting

For constant-current control, this IC performs chopping operations at the frequency determined by the capacitor (Cchop) connected between the CHOP pin and GND.

The chopping frequency is set as shown below by the capacitor (Cchop) connected between the CHOP pin and GND.

$$F_{chop} = I_{chop} / (C_{chop} \times V_{tchop} \times 2) \text{ (Hz)}$$

$I_{chop}$  : Capacitor charge/discharge current, typ 10μA

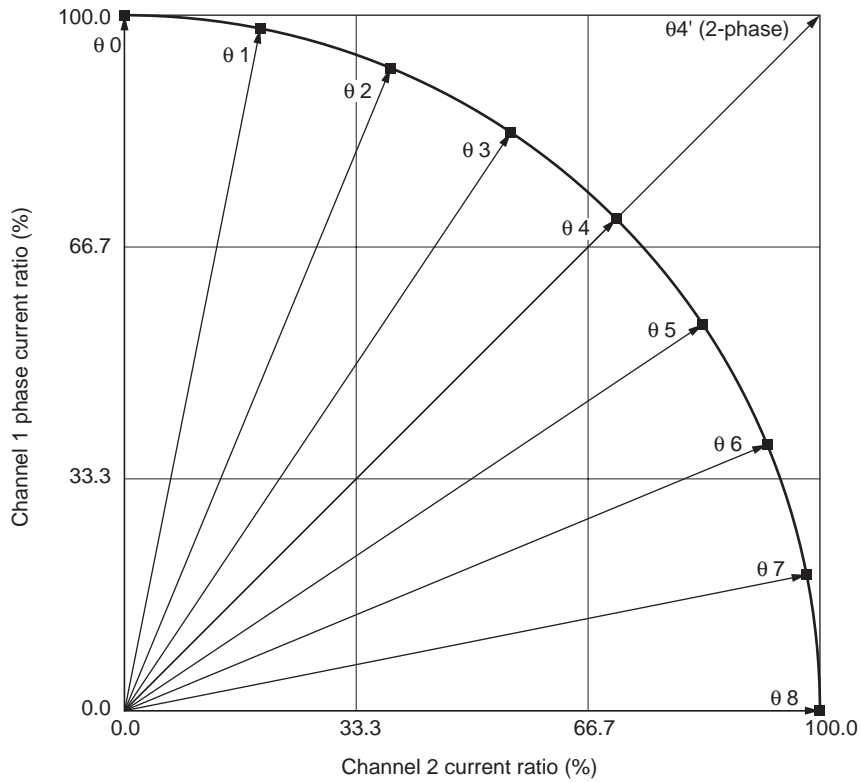
$V_{tchop}$  : Charge/discharge hysteresis voltage ( $V_{tup} - V_{tdown}$ ), typ 0.5V

For instance, when Cchop is 200pF, the chopping frequency will be as follows :

$$F_{chop} = 10\mu A / (200pF \times 0.5V \times 2) = 50kHz$$

# LV8734V

2-11) Output current vector locus (one step is normalized to 90 degrees)

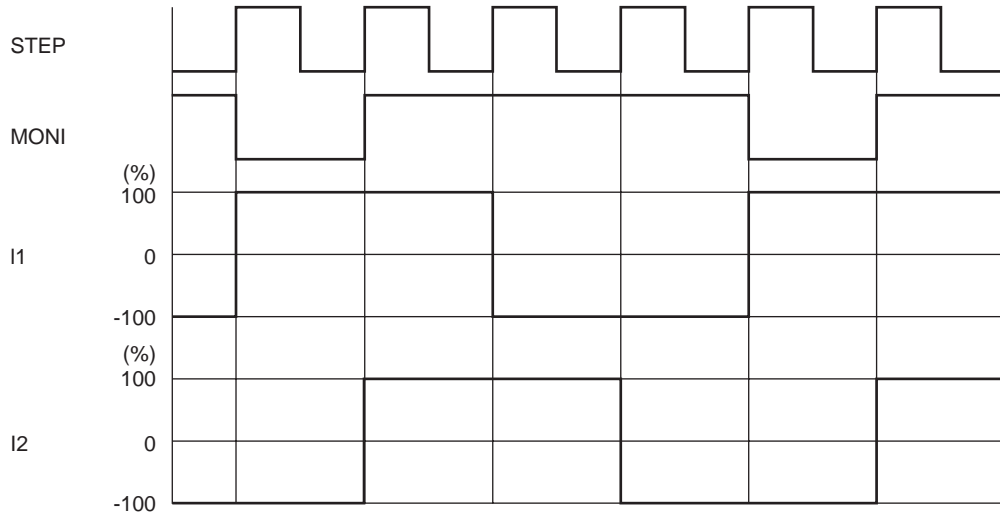


Setting current ration in each micro-step mode

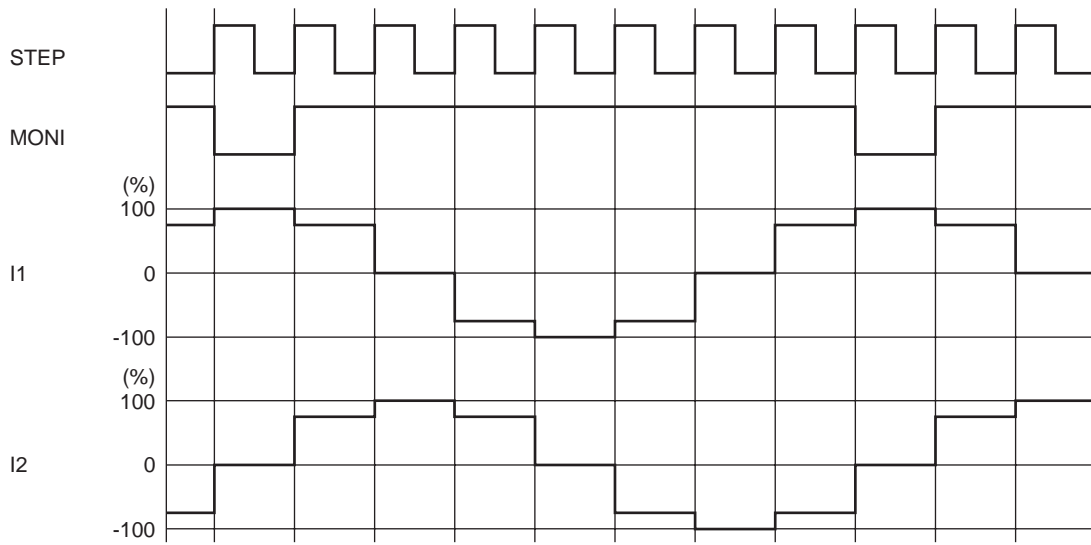
STEP	1/8 step (%)		Quarter step (%)		Half step (%)		Full step (%)	
	Channel 1	Channel 2	Channel 1	Channel 2	Channel 1	Channel 2	Channel 1	Channel 2
00	100	0	100	0	100	0		
01	98	20						
02	92	38	92	38				
03	83	55						
04	70	70	70	70	70	70	100	100
05	55	83						
06	38	92	38	92				
07	20	98						
08	0	100	0	100	0	100		

2-12) Examples of current waveform in each micro-step mode

Full step (CW mode)

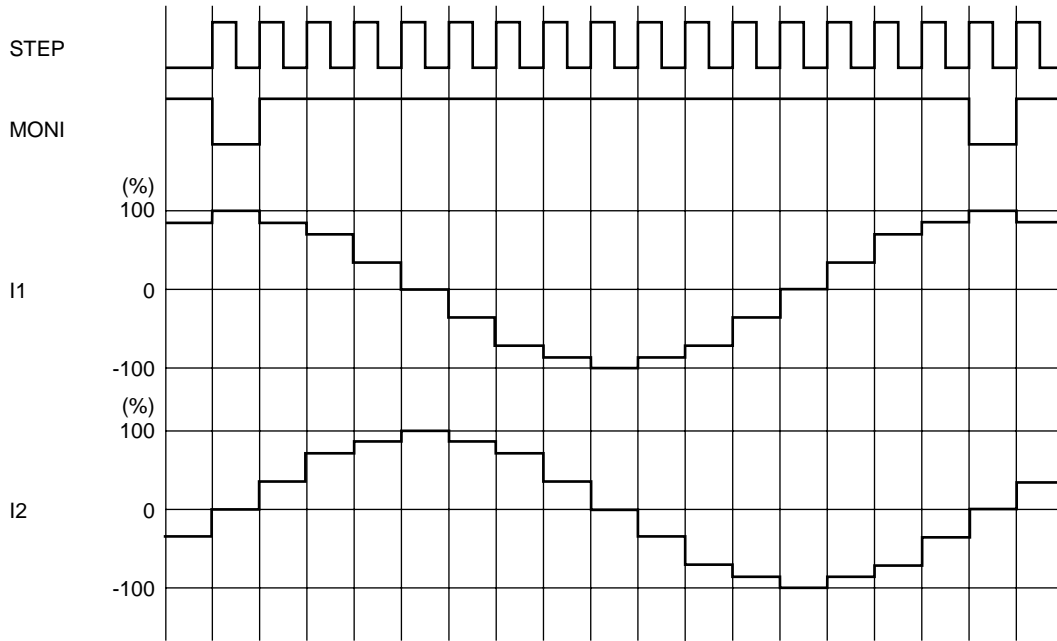


Half step (CW mode)

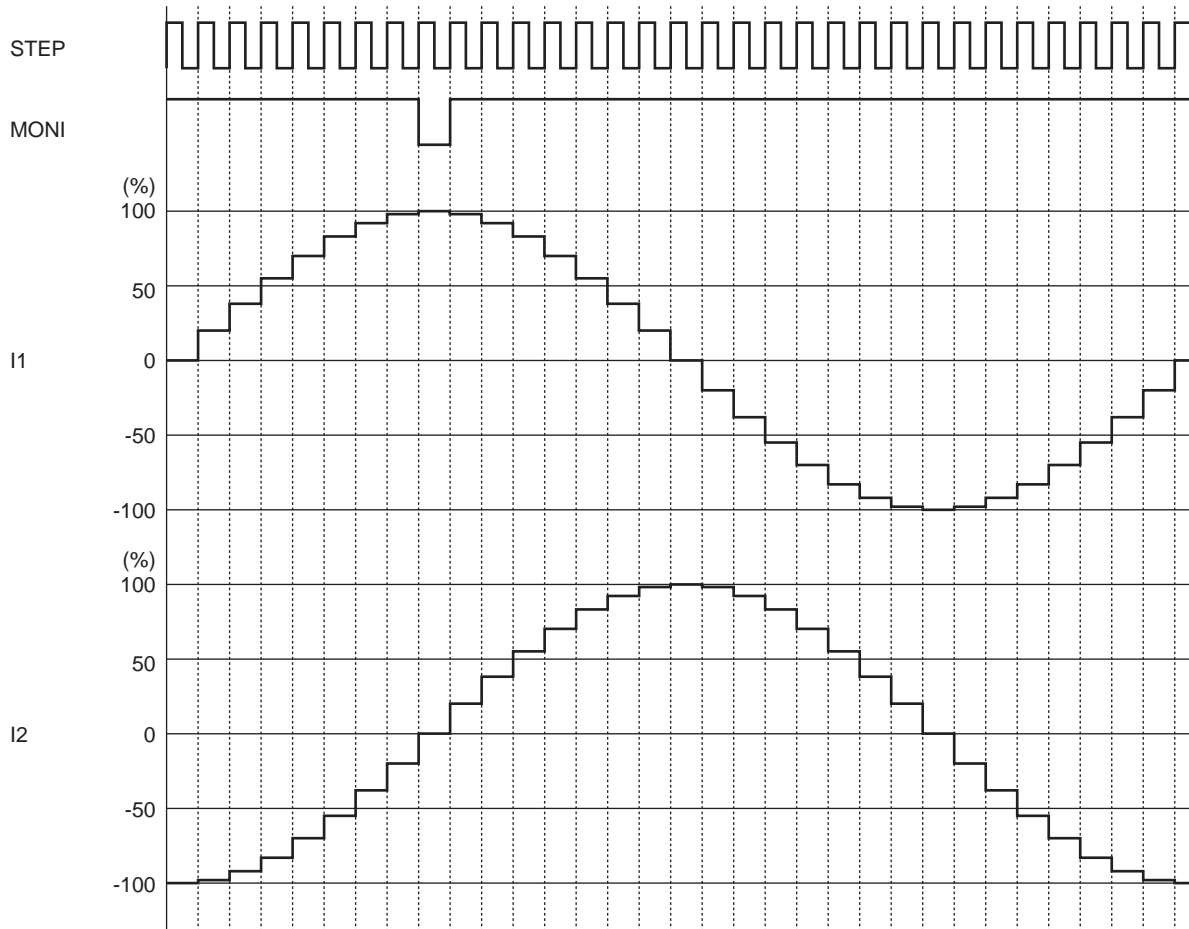


# LV8734V

Quarter step (CW mode)



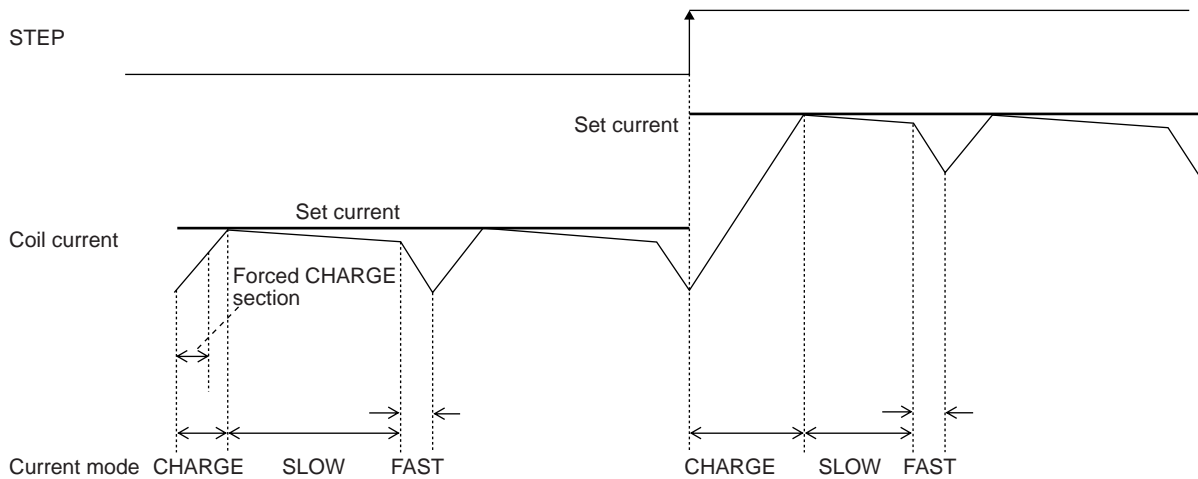
1/8 step (CW mode)



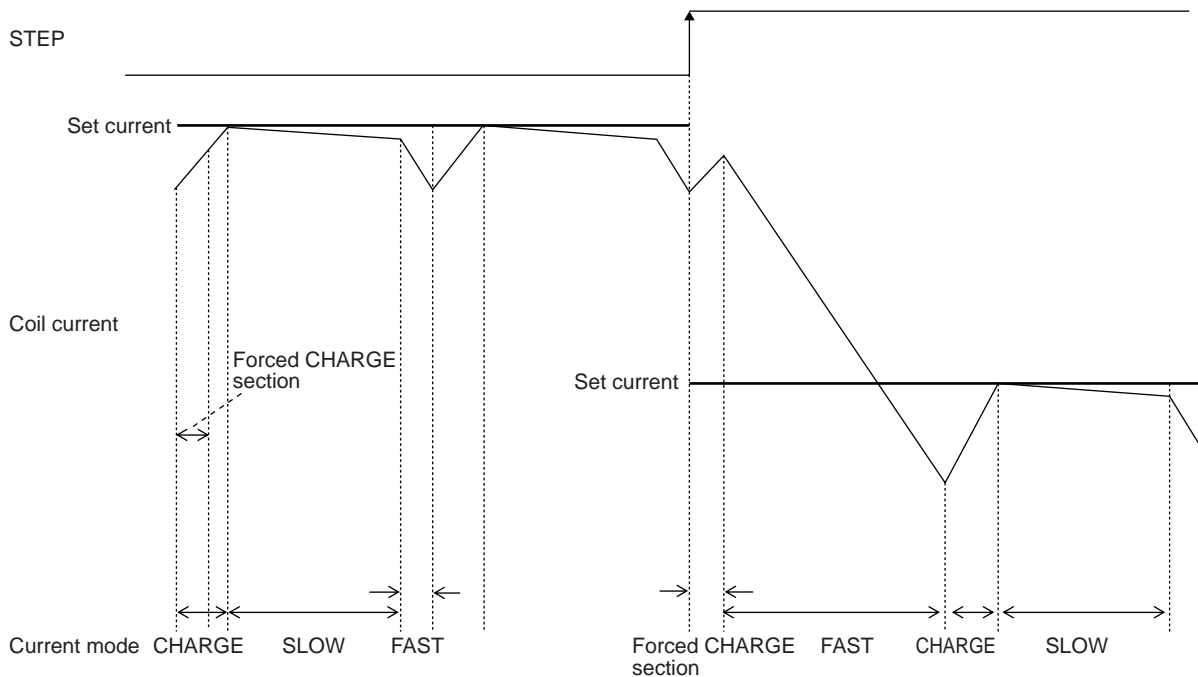


2-13) Current control operation specification

(Sine wave increasing direction)



(Sine wave decreasing direction)



In each current mode, the operation sequence is as described below :

- At rise of chopping frequency, the CHARGE mode begins. (In the time defined as the “blanking time,” the CHARGE mode is forced regardless of the magnitude of the coil current (ICOIL) and set current (IREF).)
- The coil current (ICOIL) and set current (IREF) are compared in this blanking time.

When  $(ICOIL < IREF)$  state exists ;

The CHARGE mode up to  $ICOIL \geq IREF$ , then followed by changeover to the SLOW DECAy mode, and finally by the FAST DECAy mode for approximately  $1\mu s$ .

When  $(ICOIL < IREF)$  state does not exist ;

The FAST DECAy mode begins. The coil current is attenuated in the FAST DECAy mode till one cycle of chopping is over.

Above operations are repeated. Normally, the SLOW (+FAST) DECAy mode continues in the sine wave increasing direction, then entering the FAST DECAy mode till the current is attenuated to the set level and followed by the SLOW DECAy mode.

### 3.DCM Mode (DM=High)

#### 3-1) DCM mode output control logic

Parallel input		Output		Mode
DC11 (21)	DC12 (22)	OUT1 (2) A	OUT1 (2) B	
Low	Low	OFF	OFF	Standby
High	Low	High	Low	CW (Forward)
Low	High	Low	High	CCW (Reverse)
High	High	Low	Low	Brake

#### 3-2) Blanking time switching function

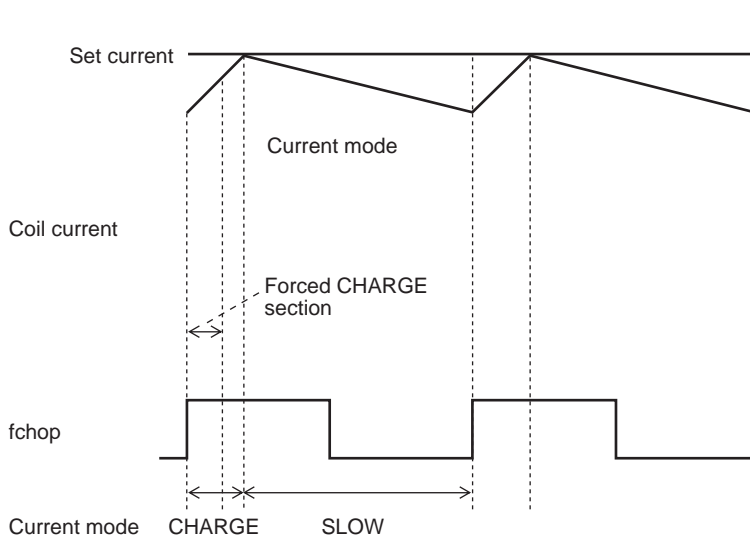
(Only the DCM mode. : It change the RST terminal at STM mode. It operates as RESET function. Refer to (reset function))

BLK	Blanking time
Low	2μs
High	3μs

#### 3-3) Current limit reference voltage setting function

By setting a current limit, this IC automatically exercises short braking control to ensure that when the motor current has reached this limit, the current will not exceed it.

(Current limit control time chart)



The limit current is set as calculated on the basis of the voltage input to the VREF pin and the resistance between the RF pin and GND using the formula given below.

$$I_{\text{limit}} = (V_{\text{REF}}/5) / R_{\text{F}} \text{ resistance}$$

The voltage applied to the VREF pin can be switched to any of the four setting levels depending on the statuses of the two inputs, ATT1 and ATT2.

Function for attenuating VREF input voltage

ATT1	ATT2	Current setting reference voltage attenuation ratio
Low	Low	100%
High	Low	80%
Low	High	50%
High	High	20%

The formula used to calculate the output current when using the function for attenuating the VREF input voltage is given below.

$$I_{\text{limit}} = (V_{\text{REF}}/5) \times (\text{attenuation ratio}) / R_{\text{F}} \text{ resistance}$$

Example : At VREF of 1.5V, a reference voltage setting of 100% [(ATT1, ATT2) = (L, L)] and an RF resistance of 0.5Ω, the output current is set as shown below.

$$I_{\text{limit}} = 1.5\text{V}/5 \times 100\%/0.5\Omega = 0.6\text{A}$$

If, in this state, (ATT1, ATT2) has been set to (H, H), I<sub>limit</sub> will be as follows :

$$I_{\text{limit}} = 0.6\text{A} \times 20\% = 120\text{mA}$$

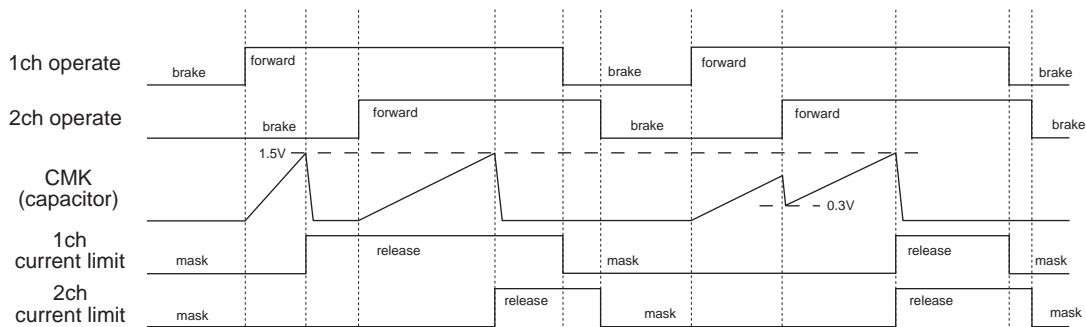
### 3-4) Current LIMIT mask function

(Only the DCM mode. : It change the OE terminal at STM mode. It operates as output enable function. Refer to (output enable function))

The mask can do current LIMIT function during the fixed time set with the CMK pin at the DCM mode. It is effective to make it not hang to the limiter by the start current of the motor to set current LIMIT low.

The charge is begun, current LIMIT function is done to the CMK capacitor meanwhile when switching to forward/reverse mode, and the mask is done. Afterwards, the mask is released when the voltage of the CMK pin reaches set voltage (typ 1.5V), and the current limit function works.

When 2ch side begins forward (reverse) operation while the mask on 1ch side is operating, the CMK pin is discharged one degree up to a constant voltage, and begins charging again because the CMK pin becomes 2ch using combinedly. Meanwhile, 1ch side and 2ch side enter the state of the mask.



When the capacitor is not connected, the function of LIMIT in the current can be switched to operation/no operating state by the state of the input of the CMK pin.

CMK	Current LIMIT function
“L”	no operating
“H” or OPEN	operation

### 3-5) Current LIMIT mask time (T<sub>cmk</sub>)

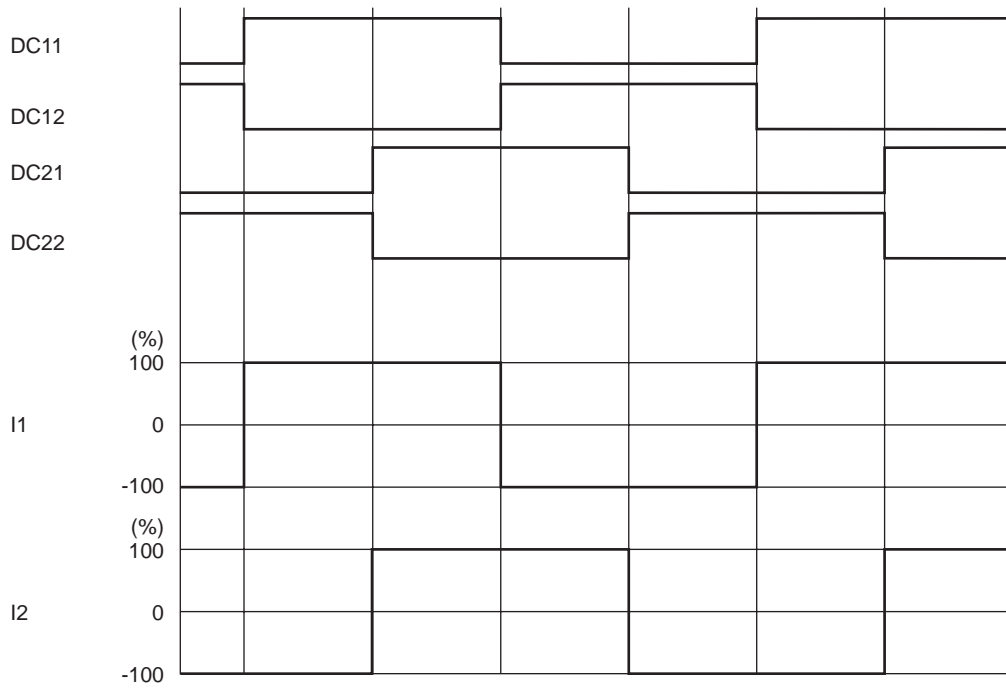
The time of the mask of current LIMIT function can be set by connecting capacitor C<sub>CMK</sub> between CMK pin - GND. Decide the value of capacitor C<sub>CMK</sub> according to the following expressions.

$$\text{Mask time : } T_{\text{CMK}} \quad T_{\text{CMK}} \approx -C_{\text{CMK}} \times R \times \ln \left( 1 - V_{t\text{CMK}} / (I_{\text{CMK}} \times R) \right) \quad (\text{sec})$$

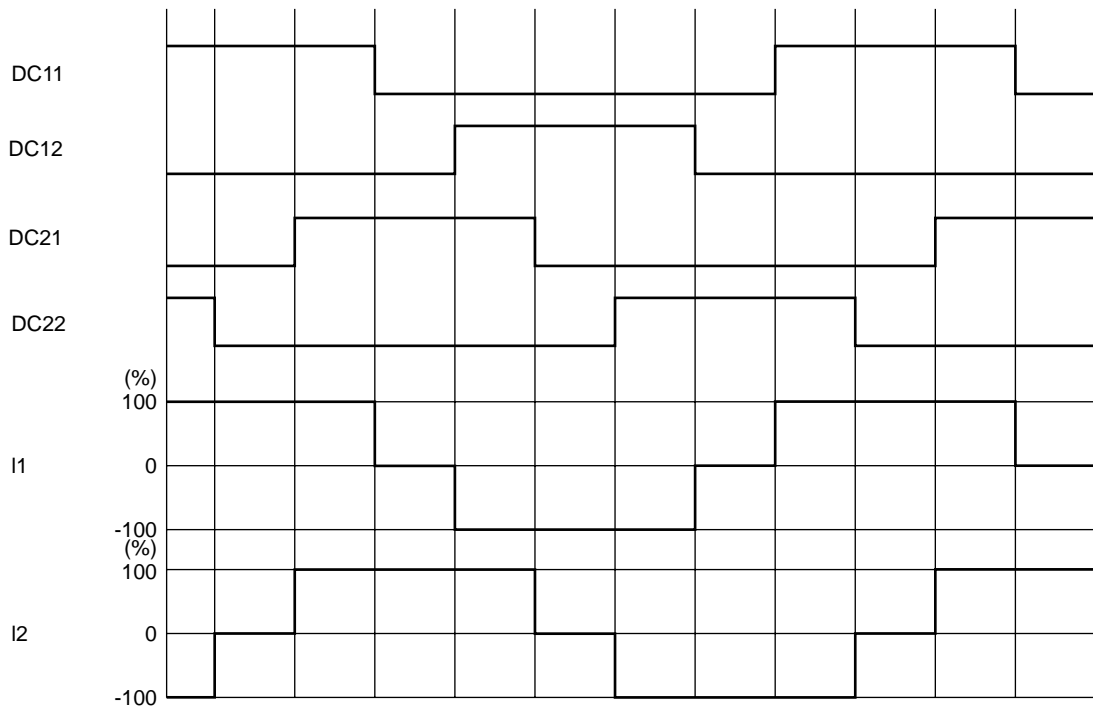
$V_{t\text{CMK}}$  : LIMIT mask threshold voltage typ. 1.5V  
 $I_{\text{CMK}}$  : CMK pin charge current typ. 25 $\mu$ A  
 $R$  : Internal resistance typ. 100k $\Omega$

# LV8734V

3-6) Examples of current waveform in each micro-step mode when stepper motor parallel input control  
Full step (CW mode)



Half step full torque (CW mode)



## 4. Output short-circuit protection function

This IC incorporates an output short-circuit protection circuit that, when the output has been shorted by an event such as shorting to power or shorting to ground, sets the output to the standby mode and turns on the warning output in order to prevent the IC from being damaged. In the stepping motor driver (STM) mode (DM = Low), this function sets the output to the standby mode for both channels by detecting the short-circuiting in one of the channels. In the DC motor driver mode (DM = High), channels 1 and 2 operate independently. (Even if the output of channel 1 has been short-circuited, channel 2 will operate normally.)

### 4-1) Output short-circuit protection mode switching function

Output short-circuit protection mode of IC can be switched by the setting of EMM pin.

EMM	State
Low or Open	Latch method
High	Auto reset method

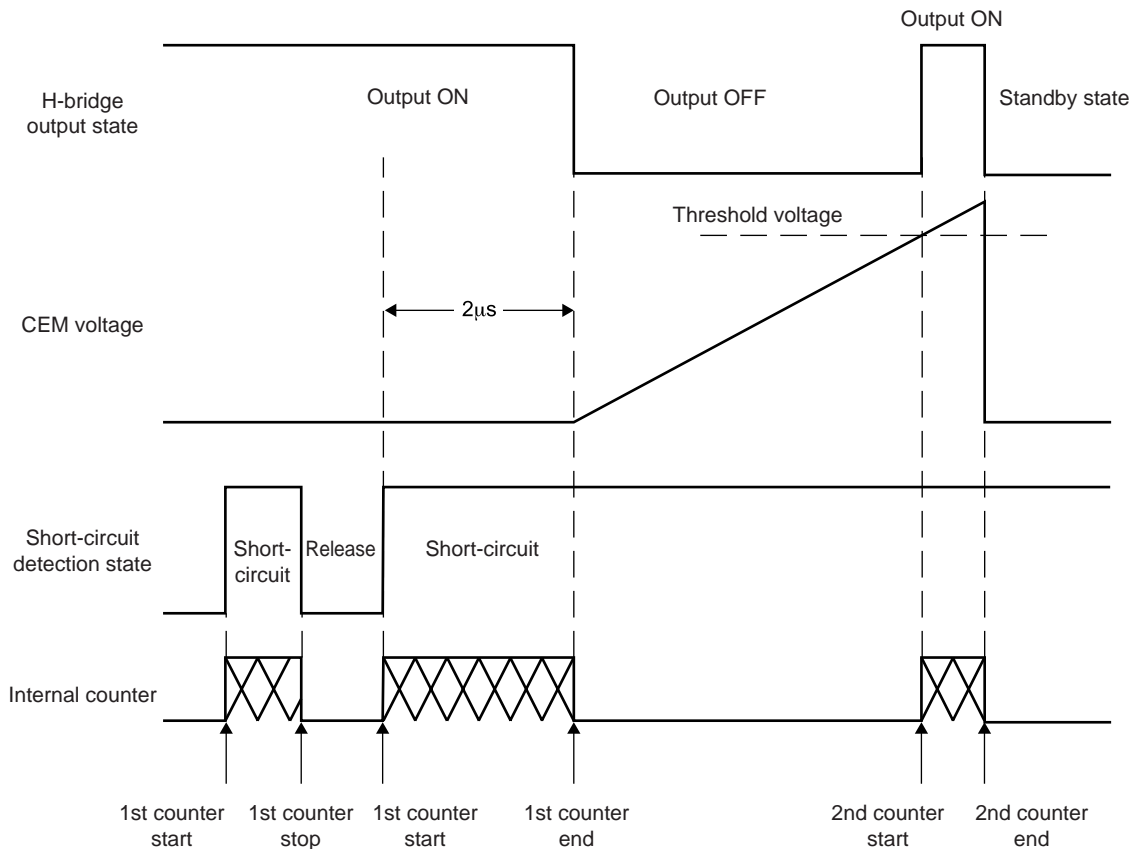
### 4-2) Latch type

In the latch mode, when the output current exceeds the detection current level, the output is turned OFF, and this state is held.

The detection of the output short-circuited state by the IC causes the output short-circuit protection circuit to be activated.

When the short-circuited state continues for the time of time set using the internal timer (approximately  $2\mu\text{s}$ ), the output in which the short-circuiting has been detected is first set to OFF. After this, the output is set to ON again as soon as the timer latch time ( $T_{cem}$ ) described later has been exceeded, and if the short-circuited state is still detected, all the outputs of the channel concerned are switched to the standby mode, and this state is held.

This state is released by setting ST to low.



## 4-3) Auto reset type

In the automatic reset mode, when the output current exceeds the detection current level, the output waveform changes to the switching waveform.

As with the latch system, when the output short-circuited state is detected, the short-circuit protection circuit is activated. When the operation of the short-circuit detection circuit exceeds the timer latch time ( $T_{cem}$ ) described later, the output is changed over to the standby mode and is reset to the ON mode again in 2ms (typ). In this event, if the overcurrent mode still continues, the switching mode described above is repeated until the overcurrent mode is canceled.

## 4-4) Unusual condition warning output pins (EMO, MONI)

The LV8731V is provided with the EMO pin which notifies the CPU of an unusual condition if the protection circuit operates by detecting an unusual condition of the IC. This pin is of the open-drain output type and when an unusual condition is detected, the EMO output is placed in the ON (EMO = Low) state.

In the DC motor driver mode (DM = High), the MONI pin also functions as a warning output pin.

The functions of the EMO pin and MONI pin change as shown below depending on the state of the DM pin.

When the DM is low (STM mode) :

EMO : Unusual condition warning output pin

MONI : Excitation initial position detection monitoring

When the DM is high (DCM mode) :

EMO : Channel 1 warning output pin

MONI : Channel 2 warning output pin

Furthermore, the EMO (MONI) pin is placed in the ON state when one of the following conditions occurs.

1. Shorting-to-power, shorting-to-ground, or shorting-to-load occurs at the output pin and the output short-circuit protection circuit is activated.
2. The IC junction temperature rises and the thermal protection circuit is activated.

Unusual condition	DM = L (STM mode)		DM = H (DCM mode)	
	EMO	MONI	EMO	MONI
Channel 1 short-circuit detected	ON	-	ON	-
Channel 2 short-circuit detected	ON	-	-	ON
Overheating condition detected	ON	-	ON	ON

## 4-5) Timer latch time ( $T_{cem}$ )

The time taken for the output to be set to OFF when the output has been short-circuited can be set using capacitor  $C_{cem}$ , connected between the CEM pin and GND. The value of capacitor  $C_{cem}$  is determined by the formula given below.

Timer latch :  $T_{cem}$

$$T_{cem} \approx C_{cem} \times V_{tcm} / I_{cem} \text{ [sec]}$$

$V_{tcm}$  : Comparator threshold voltage, typ 1V

$I_{cem}$  : CEM pin charge current, typ 10 $\mu$ A

## 5. Thermal shutdown function

The thermal shutdown circuit is included, and the output is turned off when junction temperature  $T_j$  exceeds 180°C and the abnormal state warning output is turned on at the same time.

When the temperature falls hysteresis level, output is driven again (automatic restoration)

The thermal shutdown circuit doesn't guarantee protection of the set and the destruction prevention of IC, because it works at the temperature that is higher than rating ( $T_{jmax}=150^\circ\text{C}$ ) of the junction temperature

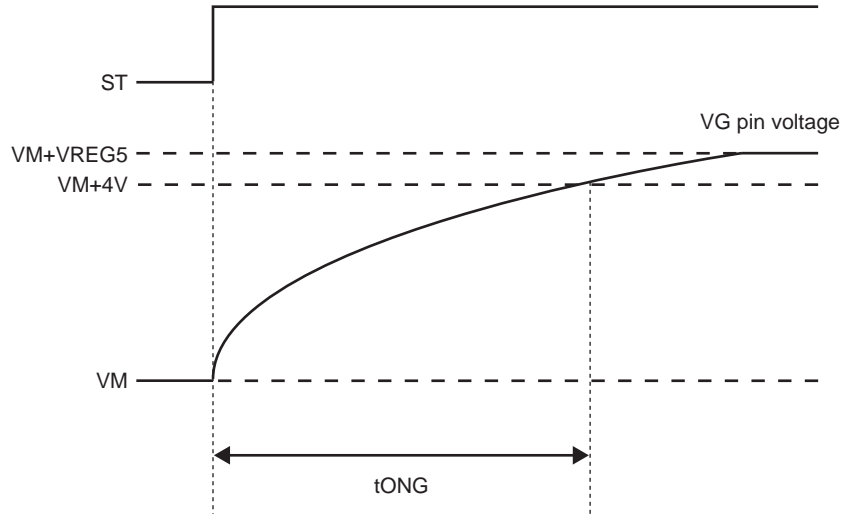
$$TSD = 180^\circ\text{C (typ)}$$

$$\Delta TSD = 40^\circ\text{C (typ)}$$

## 6. Charge Pump Circuit

When the ST pin is set High, the charge pump circuit operates and the VG pin voltage is boosted from the VM voltage to the VM + VREG5 voltage.

If the VG pin voltage is not boosted to VM+4V or more, the output pin cannot be turned on. Therefore it is recommended that the drive of motor is started after the time has passed tONG or more.

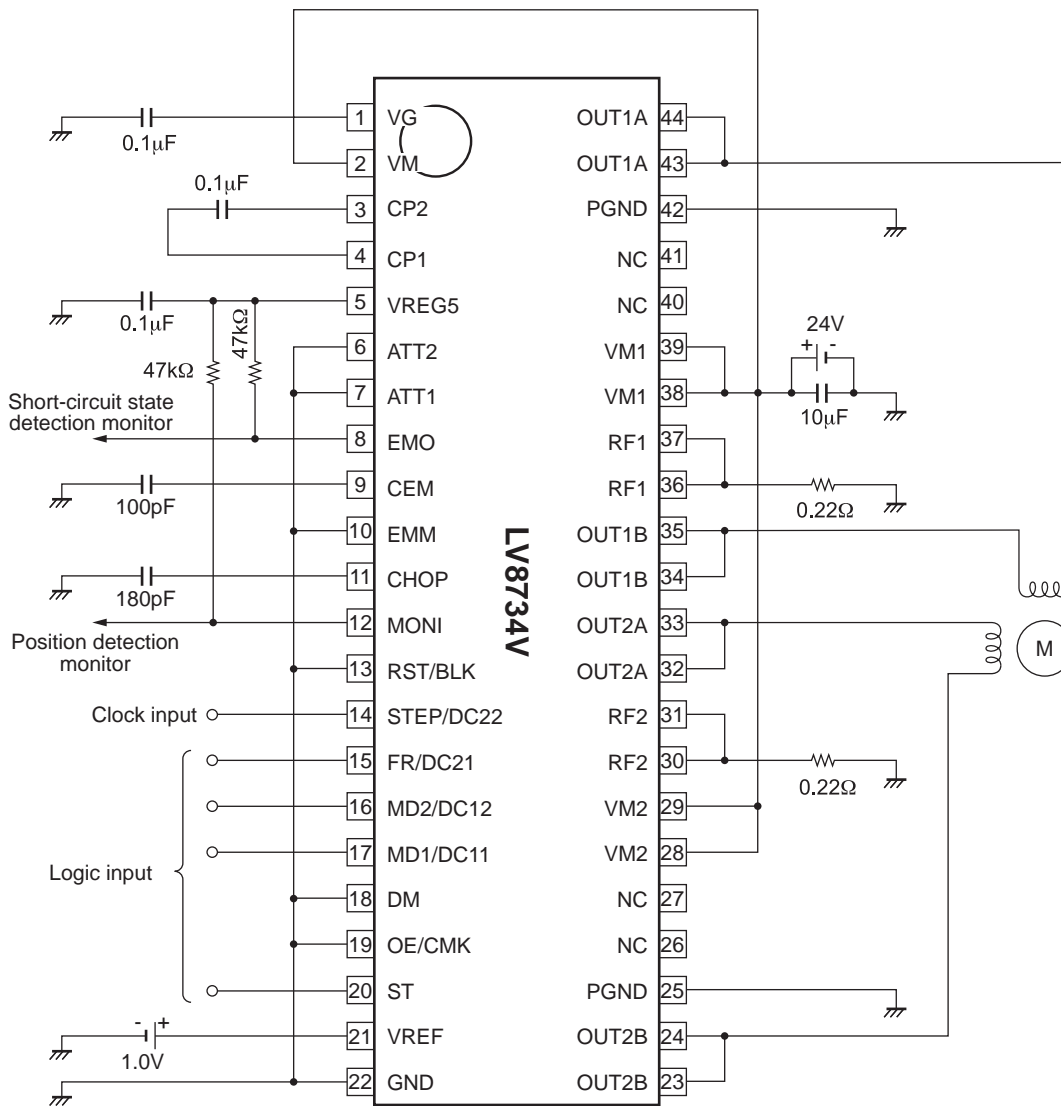


VG Pin Voltage Schematic View

# LV8734V

## 7. Application Circuit Example

### 7-1) Stepper motor driver circuit (DM = Low)



The formulae for setting the constants in the examples of the application circuits above are as follows :

Constant current (100%) setting

When  $V_{REF} = 1.0V$

$$I_{OUT} = V_{REF} / 5 / R_F \text{ resistance} \\ = 1.0V / 5 / 0.22\Omega = 0.91A$$

Chopping frequency setting

$$F_{chop} = I_{chop} / (C_{chop} \times V_{tchop} \times 2) \\ = 10\mu A / (180pF \times 0.5V \times 2) = 55kHz$$

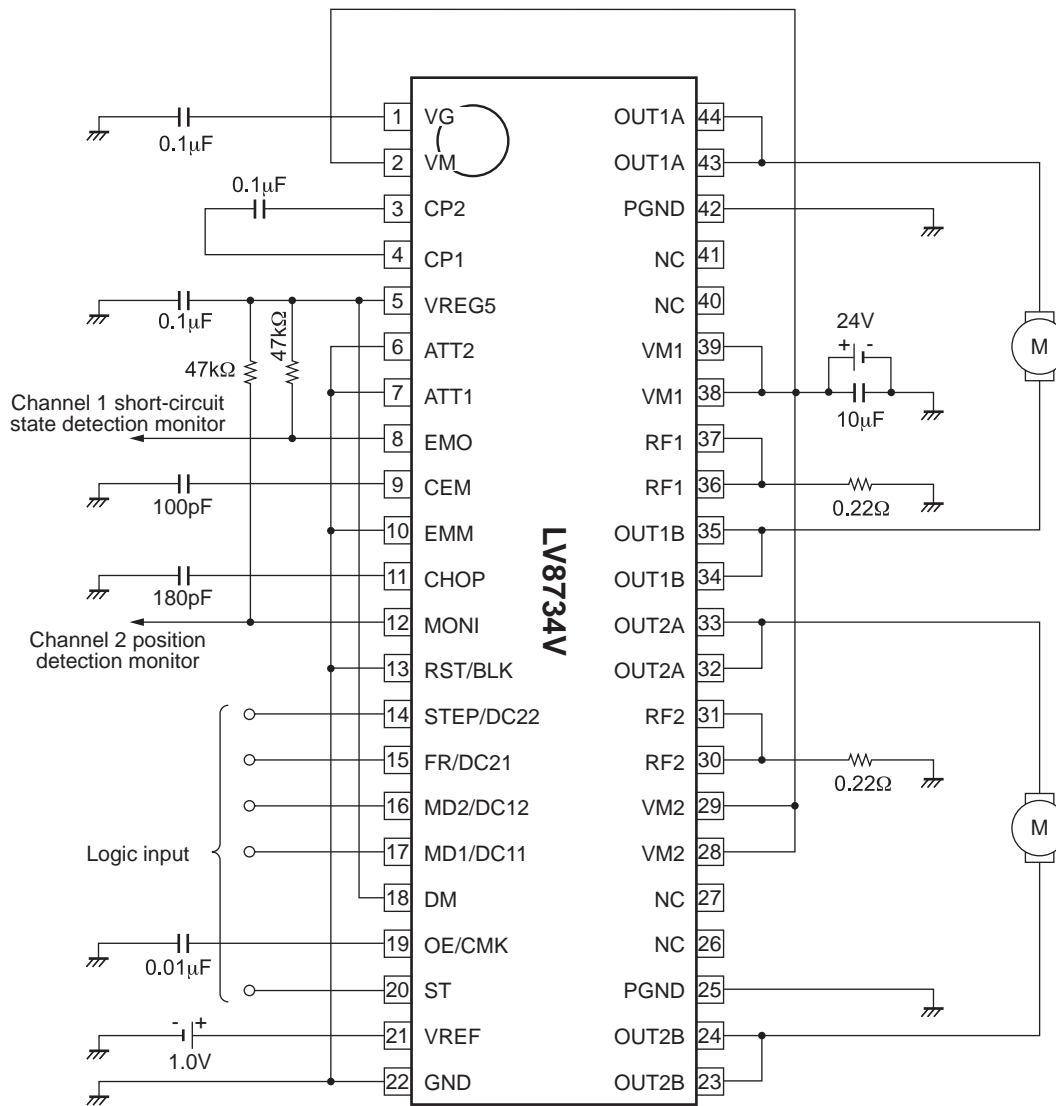
Timer latch time when the output is short-circuited

$$T_{cem} = C_{cem} \times V_{tcem} / I_{cem} \\ = 100pF \times 1V / 10\mu A = 10\mu s$$



## LV8734V

7-2) DC motor driver circuit (DM = High, and the current limit function is in use.)



The formulae for setting the constants in the examples of the application circuits above are as follows :

Constant current limit (100%) setting

When  $V_{REF} = 1.0V$

$$I_{limit} = V_{REF} / 5 / R_F \text{ resistance}$$

$$= 1.0V / 5 / 0.22\Omega = 0.91A$$

Chopping frequency setting

$$F_{chop} = I_{chop} / (C_{chop} \times V_{tchop} \times 2)$$

$$= 10\mu A / (180pF \times 0.5V \times 2) = 55kHz$$

Timer latch time when the output is short-circuited

$$T_{cem} = C_{cem} \times V_{tcem} / I_{cem}$$

$$= 100pF \times 1V / 10\mu A = 10\mu s$$

# LV8734V

## ORDERING INFORMATION

Device	Package	Shipping (Qty / Packing)
LV8734V-MPB-H	SSOP44K (275mil) (Pb-Free / Halogen Free)	30 / Fan-Fold
LV8734V-TLM-H	SSOP44K (275mil) (Pb-Free / Halogen Free)	2000 / Tape & Reel

ON Semiconductor and the ON logo are registered trademarks of Semiconductor Components Industries, LLC (SCILLC). SCILLC owns the rights to a number of patents, trademarks, copyrights, trade secrets, and other intellectual property. A listing of SCILLC's product/patent coverage may be accessed at [www.onsemi.com/site/pdf/Patent-Marking.pdf](http://www.onsemi.com/site/pdf/Patent-Marking.pdf). SCILLC reserves the right to make changes without further notice to any products herein. SCILLC makes no warranty, representation or guarantee regarding the suitability of its products for any particular purpose, nor does SCILLC assume any liability arising out of the application or use of any product or circuit, and specifically disclaims any and all liability, including without limitation special, consequential or incidental damages. "Typical" parameters which may be provided in SCILLC data sheets and/or specifications can and do vary in different applications and actual performance may vary over time. All operating parameters, including "Typicals" must be validated for each customer application by customer's technical experts. SCILLC does not convey any license under its patent rights nor the rights of others. SCILLC products are not designed, intended, or authorized for use as components in systems intended for surgical implant into the body, or other applications intended to support or sustain life, or for any other application in which the failure of the SCILLC product could create a situation where personal injury or death may occur. Should Buyer purchase or use SCILLC products for any such unintended or unauthorized application, Buyer shall indemnify and hold SCILLC and its officers, employees, subsidiaries, affiliates, and distributors harmless against all claims, costs, damages, and expenses, and reasonable attorney fees arising out of, directly or indirectly, any claim of personal injury or death associated with such unintended or unauthorized use, even if such claim alleges that SCILLC was negligent regarding the design or manufacture of the part. SCILLC is an Equal Opportunity/Affirmative Action Employer. This literature is subject to all applicable copyright laws and is not for resale in any manner.