



SANYO Semiconductors

# DATA SHEET

An ON Semiconductor Company

## LV8411GR

Bi-CMOS LSI

For DSC, and Cell Phone Camera Modules  
4-channel Single-chip Motor Driver IC

### Overview

The LV8411GR is an H bridge motor driver IC and is able to control 4 modes of forward, reverse, brake, and standby. This IC housed in a miniature package is optimum for use in a stepping motor driving system for DSC or a camera module of cell phones.

### Features

- Saturation drive H bridge: 4 channels
- Built-in thermal protection circuit
- Built-in low voltage malfunction prevention circuit
- Incorporates a transistor for driving photosensors

### Specifications

Absolute Maximum Ratings at Ta = 25°C

Parameter	Symbol	Conditions	Ratings	Unit
Power supply voltage 1	V <sub>M</sub> max		6.0	V
Power supply voltage 2	V <sub>CC</sub> max		6.0	V
Output peak current	I <sub>O</sub> peak	Channels 1 to 4, t ≤ 10msec, ON-duty ≤ 20%	600	mA
Output continuous current 1	I <sub>O</sub> max1	Channels 1 to 4	400	mA
Output continuous current 2	I <sub>O</sub> max2	PI1	30	mA
Allowable power dissipation	P <sub>d</sub> max	Mounted on a circuit board*	1.05	W
Operating temperature	T <sub>opr</sub>		-40 to +85	°C
Storage temperature	T <sub>stg</sub>		-55 to +150	°C

\* Specified circuit board : 40mm×50mm×0.8mm : glass epoxy four-layer board

Caution 1) Absolute maximum ratings represent the value which cannot be exceeded for any length of time.

Caution 2) Even when the device is used within the range of absolute maximum ratings, as a result of continuous usage under high temperature, high current, high voltage, or drastic temperature change, the reliability of the IC may be degraded. Please contact us for the further details.

- Any and all SANYO Semiconductor Co.,Ltd. products described or contained herein are, with regard to "standard application", intended for the use as general electronics equipment. The products mentioned herein shall not be intended for use for any "special application" (medical equipment whose purpose is to sustain life, aerospace instrument, nuclear control device, burning appliances, transportation machine, traffic signal system, safety equipment etc.) that shall require extremely high level of reliability and can directly threaten human lives in case of failure or malfunction of the product or may cause harm to human bodies, nor shall they grant any guarantee thereof. If you should intend to use our products for new introduction or other application different from current conditions on the usage of automotive device, communication device, office equipment, industrial equipment etc., please consult with us about usage condition (temperature, operation time etc.) prior to the intended use. If there is no consultation or inquiry before the intended use, our customer shall be solely responsible for the use.
- Specifications of any and all SANYO Semiconductor Co.,Ltd. products described or contained herein stipulate the performance, characteristics, and functions of the described products in the independent state, and are not guarantees of the performance, characteristics, and functions of the described products as mounted in the customer's products or equipment. To verify symptoms and states that cannot be evaluated in an independent device, the customer should always evaluate and test devices mounted in the customer's products or equipment.

SANYO Semiconductor Co., Ltd.

<http://semicon.sanyo.com/en/network>

# LV8411GR

## Recommended Operating Conditions at Ta = 25°C

Parameter	Symbol	Conditions	Ratings	Unit
Power supply voltage range 1	V <sub>M</sub>		2.5 to 5.5	V
Power supply voltage range 2	V <sub>CC</sub>		2.5 to 5.5	V
Logic input voltage range	V <sub>IN</sub>		0 to V <sub>CC</sub> +0.3	V
Input frequency	f <sub>IN</sub>	IN1 to 8, INA	to 100	kHz

## Electrical Characteristics at Ta = 25°C, V<sub>M</sub> = 5V, V<sub>CC</sub> = 3.3V, unless otherwise specified.

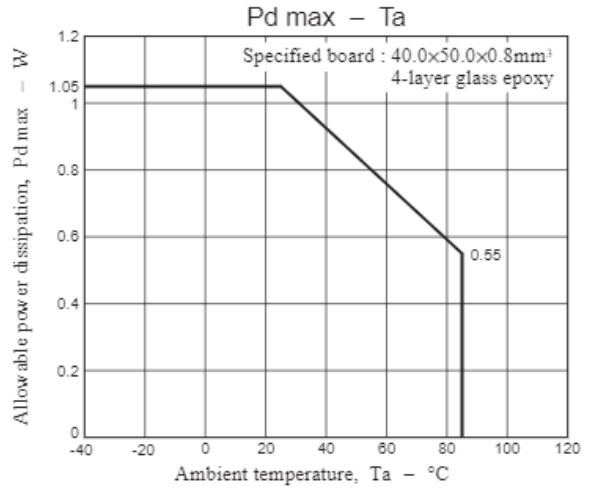
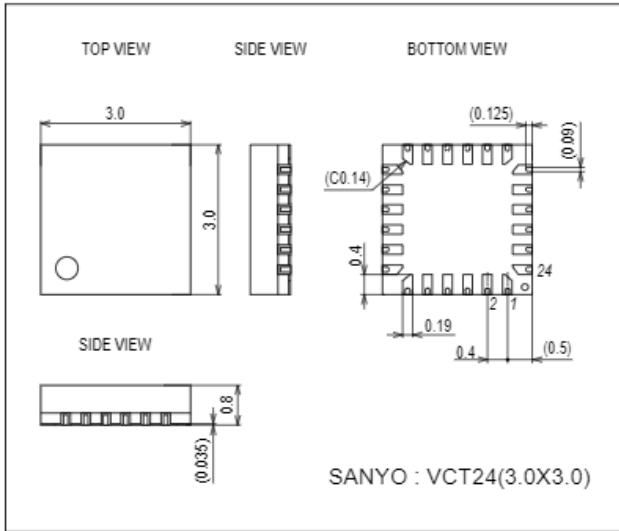
Parameter	Symbol	Conditions	Ratings			Unit
			min	typ	max	
Standby mode current drain	I <sub>stn</sub>	IN1 to 8 = "L"			1.0	μA
V <sub>M</sub> current drain	I <sub>M</sub>	IN1 = "H", IM1 + IM2, with no load	50	100	200	μA
V <sub>CC</sub> current drain	I <sub>CC</sub>	IN1 = "H"	0.3	0.6	1.2	mA
V <sub>CC</sub> low-voltage cutoff voltage	V <sub>th</sub> V <sub>CC</sub>		2.0	2.25	2.5	V
Low-voltage hysteresis voltage	V <sub>th</sub> HIS		100	150	200	mV
Thermal shutdown temperature	TSD	Design guarantee value *	160	180	200	°C
Thermal hysteresis width	ΔTSD	Design guarantee value *	10	30	50	°C
<b>OUT1 to 8</b>						
Logic pin internal pull-down resistance	R <sub>in</sub>	IN1 to 8	50	100	200	kΩ
Logic pin input current	I <sub>inL</sub>	V <sub>IN</sub> = 0V, IN1 to 8			1.0	μA
	I <sub>inH</sub>	V <sub>IN</sub> = 3.3V, IN1 to 8	16.5	33	60	μA
Logic input high-level voltage	V <sub>inh</sub>	IN1 to 8	2.5			V
Logic input low-level voltage	V <sub>inl</sub>	IN1 to 8			1.0	V
Output on-resistance	R <sub>onu</sub>	I <sub>O</sub> = 400mA, upper ON resistance		0.75	0.9	Ω
	R <sub>ond</sub>	I <sub>O</sub> = 400mA, lower ON resistance		0.45	0.6	Ω
Output leakage current	I <sub>Oleak</sub>				1.0	μA
Diode forward voltage	V <sub>D</sub>	I <sub>D</sub> = -400mA	0.7	0.9	1.2	V
<b>PI1</b>						
Logic pin internal pull-down resistance	R <sub>in</sub>	INA	50	100	200	kΩ
Logic pin input current	I <sub>inL</sub>	V <sub>IN</sub> = 0V, INA			1.0	μA
	I <sub>inH</sub>	V <sub>IN</sub> = 3.3V, INA	16.5	33	60	μA
Logic input high-level voltage	V <sub>inh</sub>	INA	2.5			V
Logic input low-level voltage	V <sub>inl</sub>	INA			1.0	V
Output on-resistance	R <sub>on</sub>	I <sub>O</sub> = 10mA		3.0	6.0	Ω
Output leakage current	I <sub>Oleak</sub>				1.0	μA

# LV8411GR

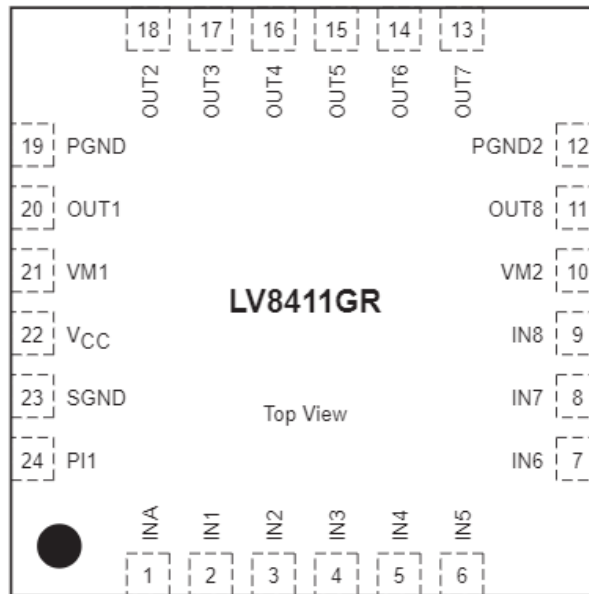
## Package Dimensions

unit : mm (typ)

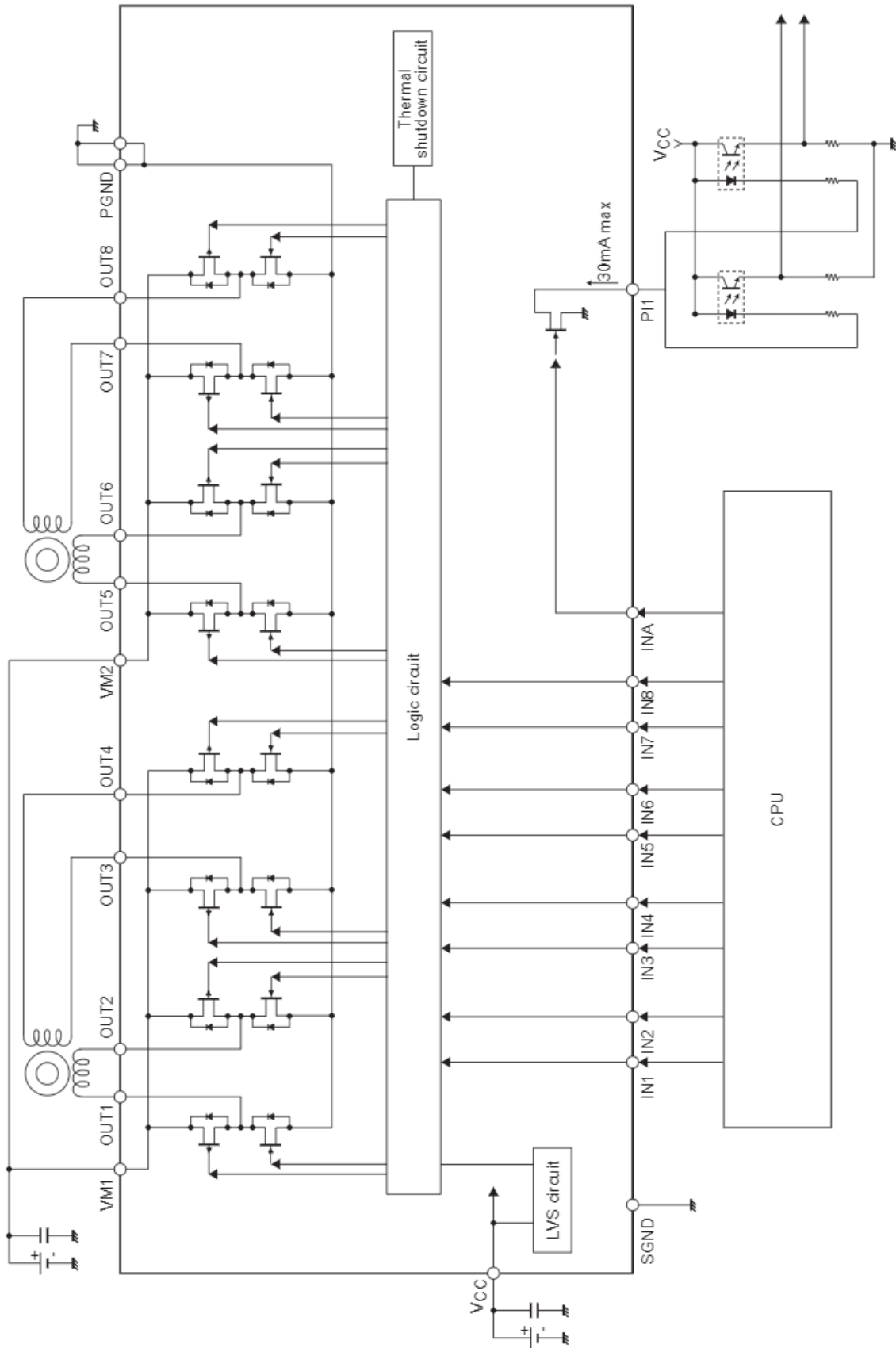
3366



## Pin Assignment



Block Diagram



# LV8411GR

## Pin Functions

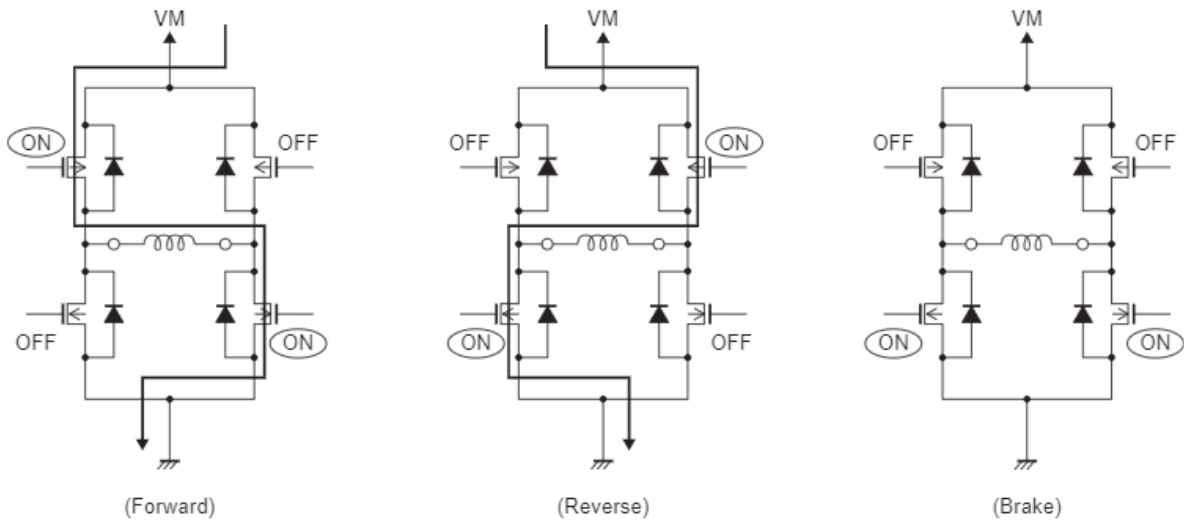
Pin No.	Pin name	Pin Function	Equivalent Circuit
1 2 3 4 5 6 7 8 9	INA IN1 IN2 IN3 IN4 IN5 IN6 IN7 IN8	Control signal input pin (Photo sensor driving transistor) Control signal input pin Control signal input pin Control signal input pin Control signal input pin Control signal input pin Control signal input pin Control signal input pin Control signal input pin	
11 13 14 15 16 17 18 20	OUT8 OUT7 OUT6 OUT5 OUT4 OUT3 OUT2 OUT1	Outpin Outpin Outpin Outpin Outpin Outpin Outpin Outpin	
24	PI1	Photo sensor driving transistor output pin	
22	VCC	Logic system power supply connection pin	
10 21	VM2 VM1	Motor power supply connection pin Motor power supply connection pin	
23	SGND	Signal ground	
12 19	PGND2 PGND1	Power ground Power ground	

## Logic input specifications

- Common channels 1 to 4
  - ch1 : IN1 to IN2, OUT1 to OUT2
  - ch2 : IN3 to IN4, OUT3 to OUT4
  - ch3 : IN5 to IN6, OUT5 to OUT6
  - ch4 : IN7 to IN8, OUT7 to OUT8

Input		Output		Operation mode
IN1	IN2	OUT1	OUT2	
L	L	OFF	OFF	Standby
H	L	H	L	CW (forward)
L	H	L	H	CCW (reverse)
H	H	L	L	Brake

- Current limit control timing chart



- Photo sensor driving transistor

When thermal shutdown and  $V_{CC}$  low-voltage cut circuits are activated, OUT1 through OUT8 are turned OFF under control of the internal circuit. But the output (PI1) of photo sensor driving transistor continues operation.

Input	Photo sensor driving PI1
INA	
L	OFF
H	ON