



ON Semiconductor®

<http://onsemi.com>

LB1843V

Monolithic Linear IC

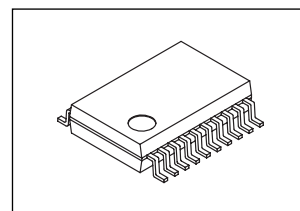
Low-saturation, current-controlled bidirectional motor driver

Overview

The LB1843V is a low-saturation bidirectional motor driver with output current limitation and detection functions. This design is ideal for controlling the loading motor in a video camera.

Function

- Output current limiter and detector built in.
- Low-saturation voltage bidirectional bridge circuit built in:
 $V_{Osat} = 0.40 \text{ V typ. at } 400 \text{ mA}$.
- Practically no current drain ($0.1 \mu\text{A}$ or less) in standby mode.
- Input-linked reference voltage built in.
- Thermal shutdown circuit built in.
- Requires little space, since few external components are needed and the IC is contained in a small SSOP-20 package



SSOP20 (225mil)

Specifications

Absolute Maximum Ratings at $T_a = 25^\circ\text{C}$

Parameter	Symbol	Conditions	Ratings	Unit
Maximum supply voltage	$V_{CC \text{ max}}$		10.5	V
Maximum output current	$I_m \text{ max}$		800	mA
Applied Input voltage	V_{IN}		-0.3 to +10	V
Allowable power dissipation	$P_d \text{ max}$	With board (50x35x1.6mm)	800	mW
Operating temperature	T_{opr}		-20 to +80	$^\circ\text{C}$
Storage temperature	T_{stg}		-40 to +150	$^\circ\text{C}$

Caution 1) Absolute maximum ratings represent the value which cannot be exceeded for any length of time.

Caution 2) Even when the device is used within the range of absolute maximum ratings, as a result of continuous usage under high temperature, high current, high voltage, or drastic temperature change, the reliability of the IC may be degraded. Please contact us for the further details.

Stresses exceeding those listed in the Maximum Ratings table may damage the device. If any of these limits are exceeded, device functionality should not be assumed, damage may occur and reliability may be affected.

Recommended Operating Conditions at $T_a = 25^\circ\text{C}$

Parameter	Symbol	Conditions	Ratings			Unit
			min	typ	max	
Supply voltage	V_{CC}		3.0		9.0	V
V_M voltage	V_M		2.2		V_{CC}	V
High-level input voltage	V_{IH}		3.0		9.0	V
Low-level input voltage	V_{IL}		-0.3		+0.7	V
LIR input voltage	V_{LIR}		0.5		$V_{CC}-1.0$	V
Output current limitation	I limit		50		350	mA

Functional operation above the stresses listed in the Recommended Operating Ranges is not implied. Extended exposure to stresses beyond the Recommended Operating Ranges limits may affect device reliability.

ORDERING INFORMATION

See detailed ordering and shipping information on page 10 of this data sheet.

LB1843V

Electrical Characteristics at Ta = 25°C, VCC = 7.2V

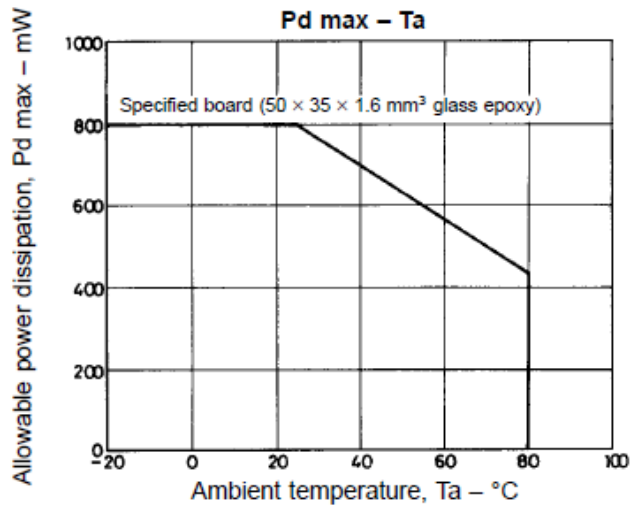
Parameter	Symbol	Conditions	Ratings			Unit
			min	typ	max	
Supply current	I _{CC0}	During standby		0.1	10	μA
	I _{CC1}	During bidirectional operation, no load		9	13	mA
	I _{CC2}	During braking		12	18	mA
Output saturation voltage (upper side + lower side)	V _{sat1}	I _{OUT} = 200mA (upper side + lower side)		0.20	0.30	V
	V _{sat2}	I _{OUT} = 400mA (upper side + lower side)		0.40	0.60	V
Reference voltage	V _{ref}	I _{Vref} = 1mA	1.85	2.0	2.15	V
Set output current	I _{limit}	Resistance between V _{CC} and V _M = 1Ω, when LIR = 2V	165	185	205	mA
Input current	I _{IN}	V _{IN} = 5V		90	150	μA
RD saturation voltage	V _{RDsat}	I _o = 1mA			0.3	V

Output current limit is determined by the following equation (Rf is the sensing resistance between V_{CC} and V_M):

$$I_{\text{limit}} = V_{\text{LIR}} / 10R_f \text{ (A)}$$

The input range for V_{LIR} is 0.5 to V_{CC} - 1.0(V)

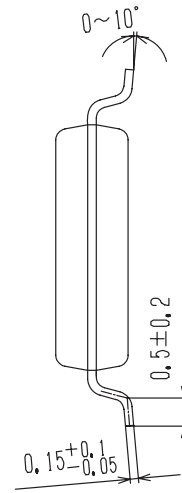
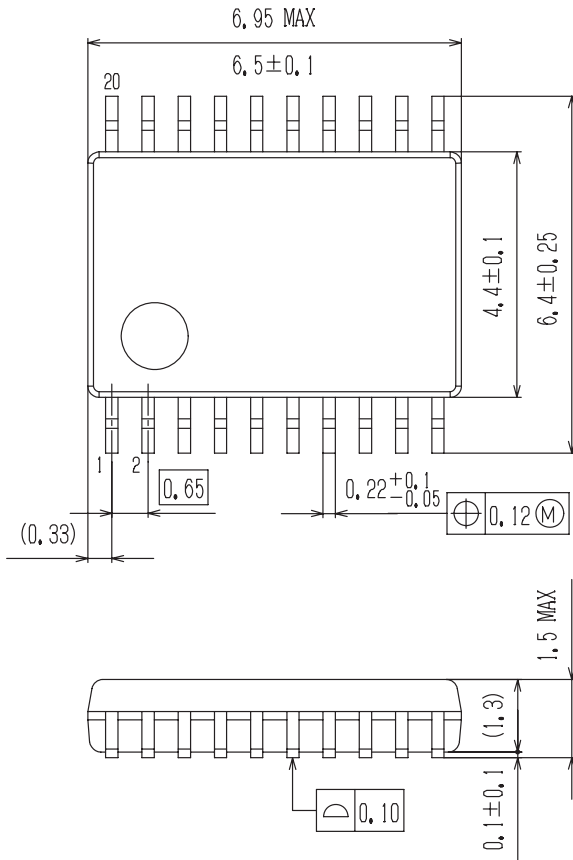
Product parametric performance is indicated in the Electrical Characteristics for the listed test conditions, unless otherwise noted. Product performance may not be indicated by the Electrical Characteristics if operated under different conditions.



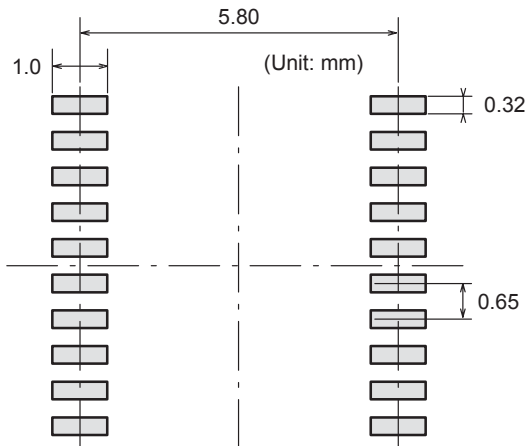
LB1843V

Package Dimensions

SSOP20 (225mil)
CASE 565AN
ISSUE A



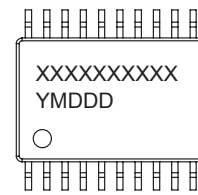
SOLDERING FOOTPRINT*



NOTE: The measurements are not to guarantee but for reference only.

*For additional information on our Pb-Free strategy and soldering details, please download the ON Semiconductor Soldering and Mounting Techniques Reference Manual, SOLDERRM/D.

GENERIC MARKING DIAGRAM*

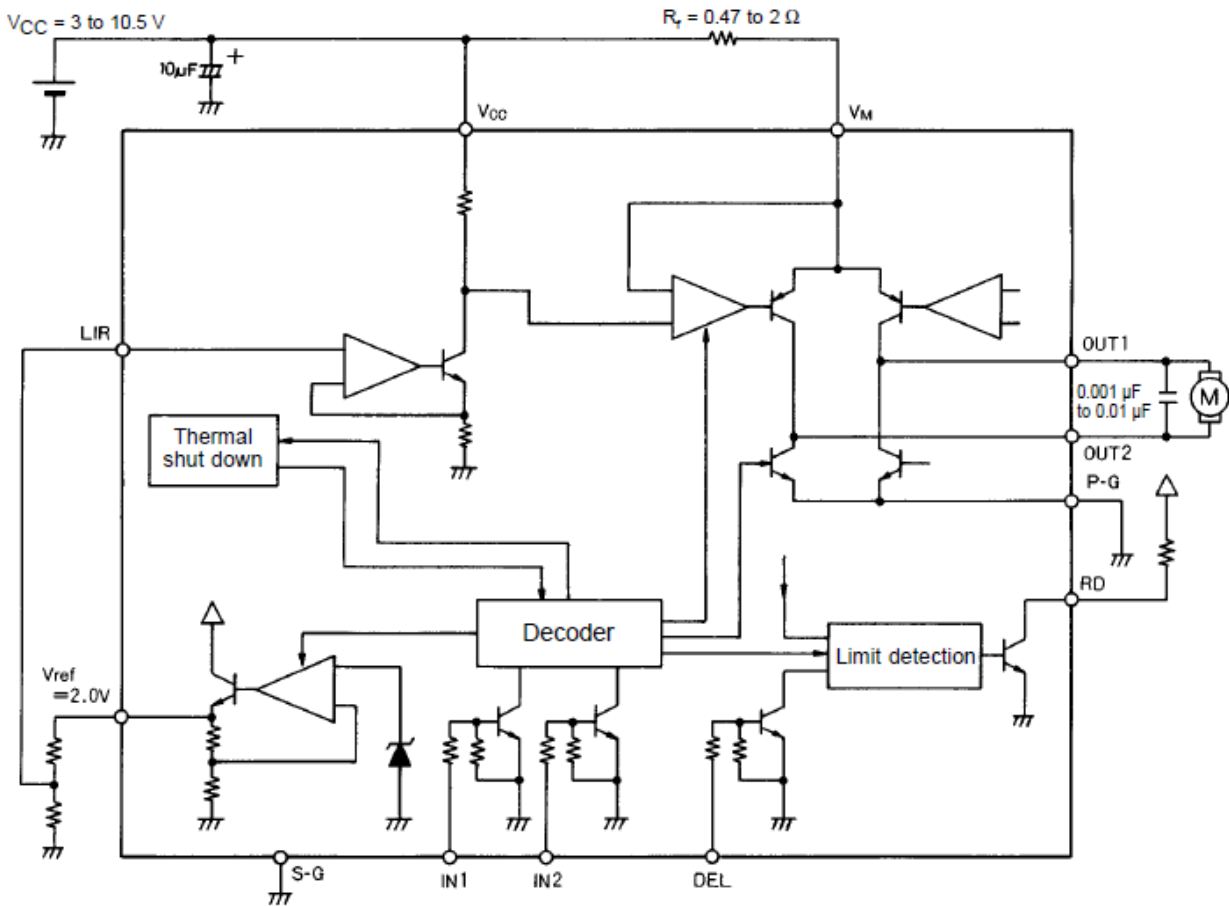


XXXXX = Specific Device Code
 Y = Year
 M = Month
 DDD = Additional Traceability Data

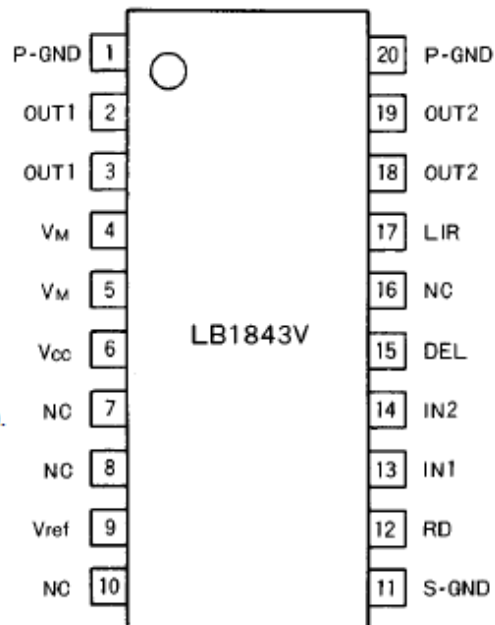
*This information is generic. Please refer to device data sheet for actual part marking. Pb-Free indicator, "G" or microdot "▪", may or may not be present.

LB1843V

Block Diagram and Sample Application Circuit



Pin Assignment



- Notes:
- Connect both V_M pins (motor power supply/sensing pins).
 - Connect both P-GND pins (motor power supply GND pins).
 - Connect S-GND (control power supply GND pin) to the microcontroller's GND.

Top view

LB1843V

Pin Functions

Pin No.	Pin name	Pin Function	Equivalent Circuit
13 14	IN1 IN2	Control signal input pin Control signal input pin	
15	DEL	Control signal input pin	
4,5 2,3 18,19	VM OUT1 OUT2	Output current detect pin Out pin Out pin	

Continued on next page.

LB1843V

Continued from preceding page.

9	Vref	Reference voltage output pin	
12	RD	Lock detect signal output pin	
17	LIR	Output current setting pin	
6	VCC	Power supply voltage pin	
11	S-GND	Signal ground pin	
1,20	P-GND	Power ground pin	
7,8,10,16	NC	No connect	

LB1843V

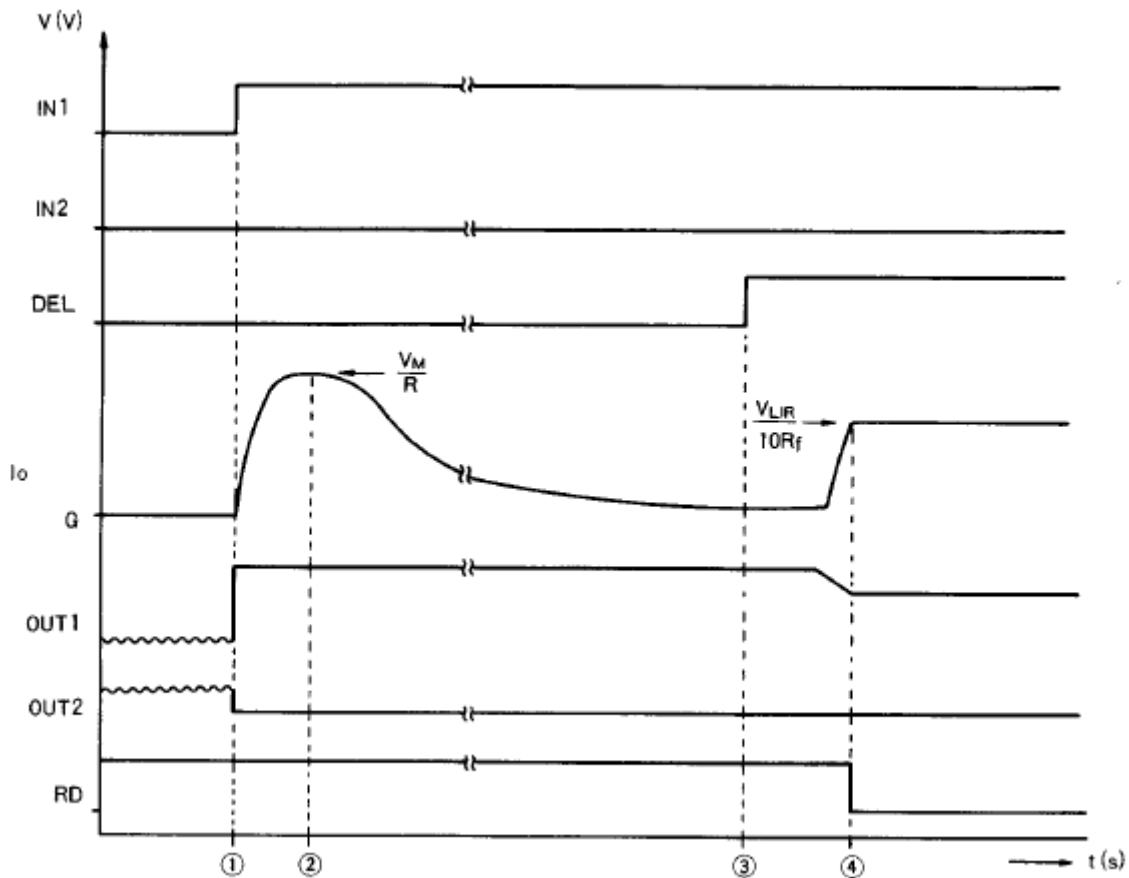
Truth Table

Input		Output		Mode
IN1	IN2	OUT1	OUT2	
L	L	Off	Off	Standby
H	L	H	L	Forward
L	H	L	H	Reverse
H	H	L	L	Brake

Output Current Limitation and Detector Output

DEL	OUT output	RD
H	Limit	L
	Non-limit	Off
L	Saturated	Off

Sample Application Timing Chart



Sample application timing chart

- 1) Connect a DC motor ($R_L = R$) between OUT1 and OUT2, and with the RD pin pulled up, input a forward rotation signal (IN1 = high, IN2 = low).
Because the output is used in the saturated state at startup, set the DEL input to low.
- 2) The DC motor starts up, and the startup current ($I_{ST} = V_M/R$) flows to the motor.
- 3) The DC motor rotates in the normal state. At this point, set the DEL input to high.
- 4) If the DC motor locks, the motor current I_M increases to the point of $I_{limit} (= V_{LIR}/(10R_f))$, the output current limiter operates to limit the output current. At the same time, RD is output low from the set current detection circuit.

LB1843V

Reference voltage (Vref)

The Vref output is linked to the input; if either IN1 or IN2 is high, the reference voltage is output.

Output current limiter

The schematic for the output current limiter is shown below.

The output set current is set according to the reference voltage VLIR applied to the LIR pin. When VLIR is applied, 1/10 of that voltage is generated at both ends of RS in the diagram; this voltage is input on the positive (+) side of the current setting amplifier.

The motor current IM generates voltage equal to (IM * Rf) at both ends of the external resistor Rf. This voltage is input to the negative (-) side of the same amplifier, and the differential amplifier functions and the output transistors are driven so that these inputs become equal.

The set current value in this instance is determined by the following equation:

$$I_{limit} = VLIR / (10R_f) \text{ [A]}$$

Set current detector

(1) When DEL = high

If the motor current IM has not reached the set current Ilimit, the input voltage on the negative (-) side of the amplifier is greater than the input voltage on the positive (+) side. As a result, the drive current increases and the output PNP transistors reach the saturation state. If this state is detected, the detection signal is sent to the set current detector, and the RD output goes high.

If the motor current IM reaches the set current Ilimit, the output PNP transistor enters the controlled state, and the RD output goes low.

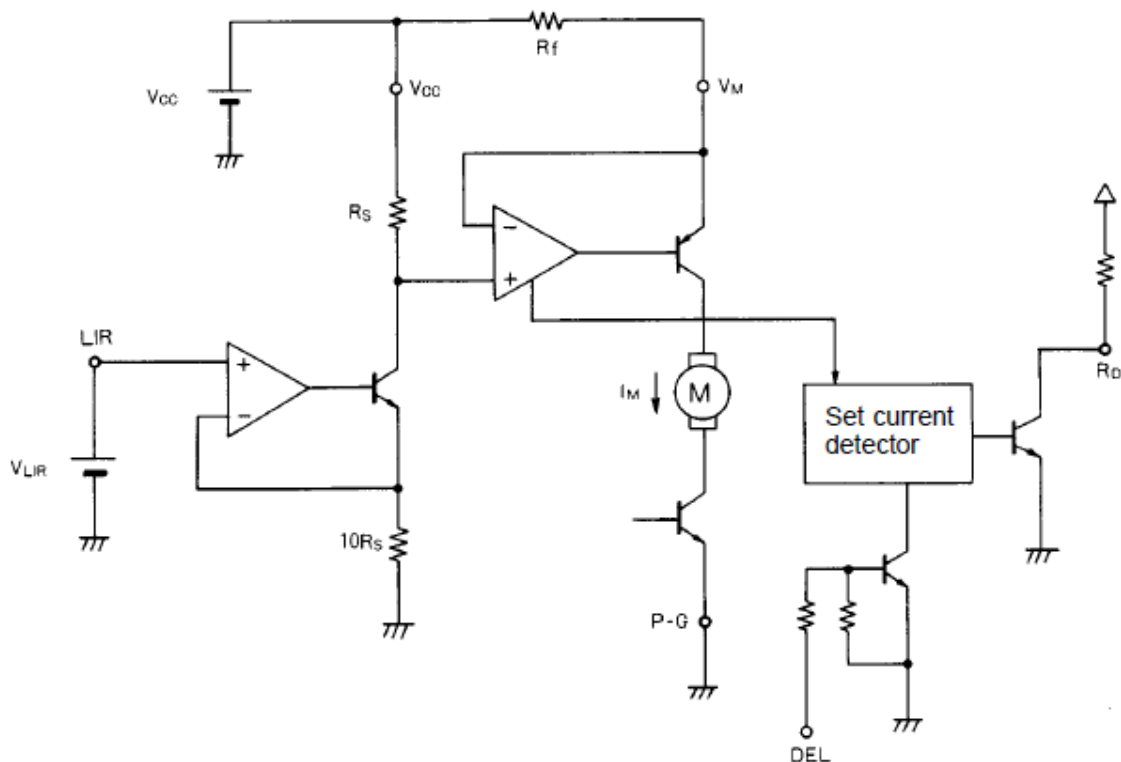
(2) When DEL = low

Because the operation of the current setting amplifier is cancelled when a low signal is input to the DEL pin, the output PNP transistors reach the saturation state and the RD output goes high, just as in the case described above.

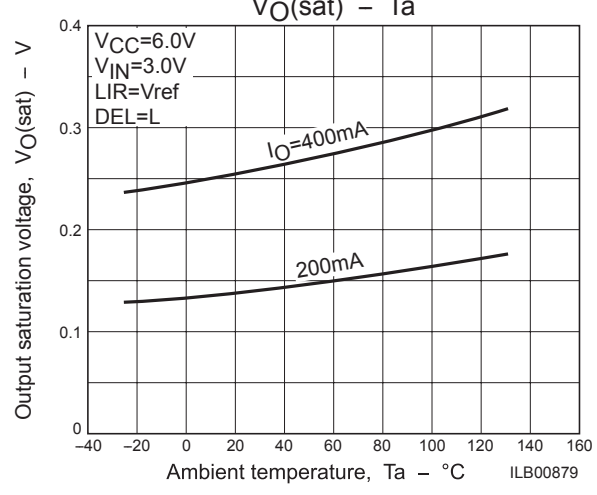
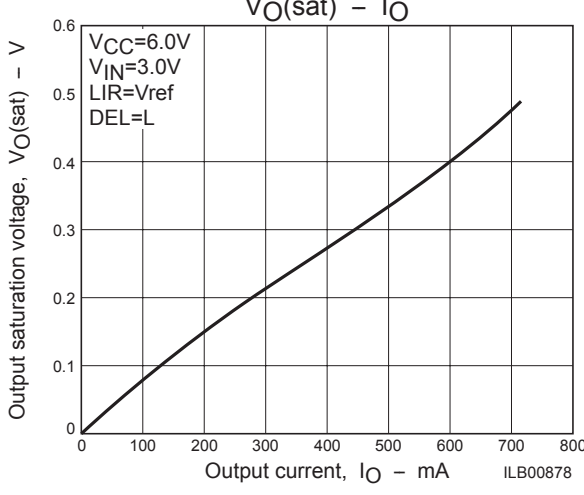
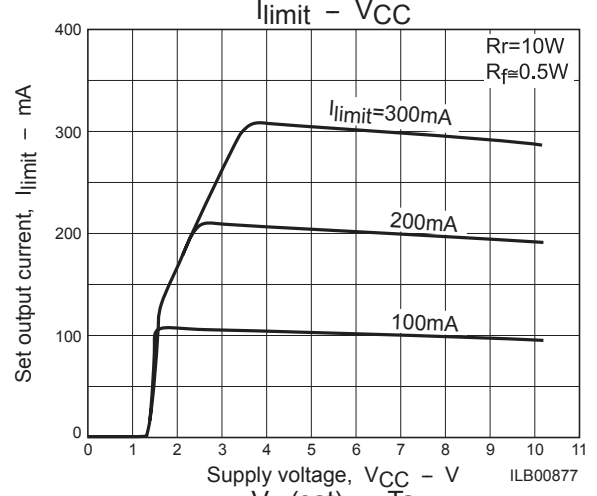
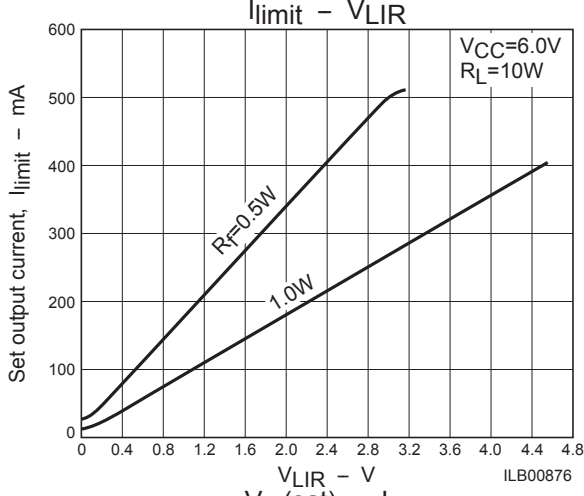
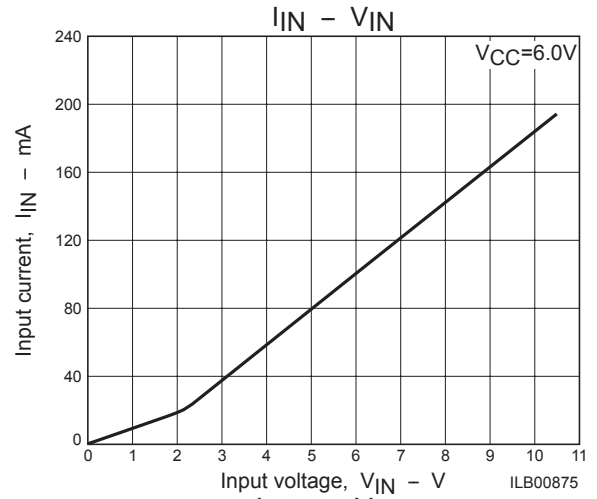
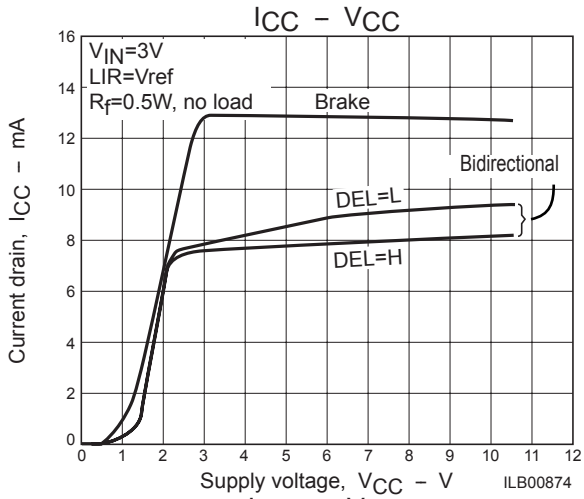
The following table summarizes the states described above.

DEL	OUT output	RD
H	Limit	L
	Non-limit	Off
L	Saturated	Off

Output Current Limiter and Set Current Detector Block Diagram



LB1843V



LB1843V

ORDERING INFORMATION

Device	Package	Shipping (Qty / Packing)
LB1843V-MPB-E	SSOP20 (225mil) (Pb-Free / Halogen Free)	70 / Fan-Fold
LB1843V-TLM-E	SSOP20 (225mil) (Pb-Free / Halogen Free)	2000 / Tape & Reel

ON Semiconductor and the ON logo are registered trademarks of Semiconductor Components Industries, LLC (SCILLC). SCILLC owns the rights to a number of patents, trademarks, copyrights, trade secrets, and other intellectual property. A listing of SCILLC's product/patent coverage may be accessed at www.onsemi.com/site/pdf/Patent-Marking.pdf. SCILLC reserves the right to make changes without further notice to any products herein. SCILLC makes no warranty, representation or guarantee regarding the suitability of its products for any particular purpose, nor does SCILLC assume any liability arising out of the application or use of any product or circuit, and specifically disclaims any and all liability, including without limitation special, consequential or incidental damages. "Typical" parameters which may be provided in SCILLC data sheets and/or specifications can and do vary in different applications and actual performance may vary over time. All operating parameters, including "Typicals" must be validated for each customer application by customer's technical experts. SCILLC does not convey any license under its patent rights nor the rights of others. SCILLC products are not designed, intended, or authorized for use as components in systems intended for surgical implant into the body, or other applications intended to support or sustain life, or for any other application in which the failure of the SCILLC product could create a situation where personal injury or death may occur. Should Buyer purchase or use SCILLC products for any such unintended or unauthorized application, Buyer shall indemnify and hold SCILLC and its officers, employees, subsidiaries, affiliates, and distributors harmless against all claims, costs, damages, and expenses, and reasonable attorney fees arising out of, directly or indirectly, any claim of personal injury or death associated with such unintended or unauthorized use, even if such claim alleges that SCILLC was negligent regarding the design or manufacture of the part. SCILLC is an Equal Opportunity/Affirmative Action Employer. This literature is subject to all applicable copyright laws and is not for resale in any manner.