



LC87F1M16A

CMOS IC

16K-byte FROM and 1024-byte RAM integrated

8-bit 1-chip Microcontroller with Full-Speed USB

ON Semiconductor®

<http://onsemi.com>

Overview

The LC87F1M16A is an 8-bit microcomputer that, integrates on a single chip a number of hardware features such as 16K-byte flash ROM, 1024-byte RAM, an on-chip debugger, a 16-bit timer/counter, a 16-bit timer, four 8-bit timers, a base timer serving as a time-of-day clock, two channels of synchronous SIO interface (with automatic block transmission/reception capabilities), an asynchronous/synchronous SIO interface, a UART interface, a UART interface with Smartcard interface function, a full-speed USB interface (function), a 20-channel AD converter (12- or 8-bit resolution selectable), 2 channels of 12-bit PWM, a system clock frequency divider, an internal reset and an interrupt feature.

Features

■Flash ROM

- 16384 × 8 bits
- Capable of on-board programming with a wide range of supply voltages: 3.0 to 5.5V
- Block-erasable in 128 byte units
- Writes data in 2-byte units

■RAM

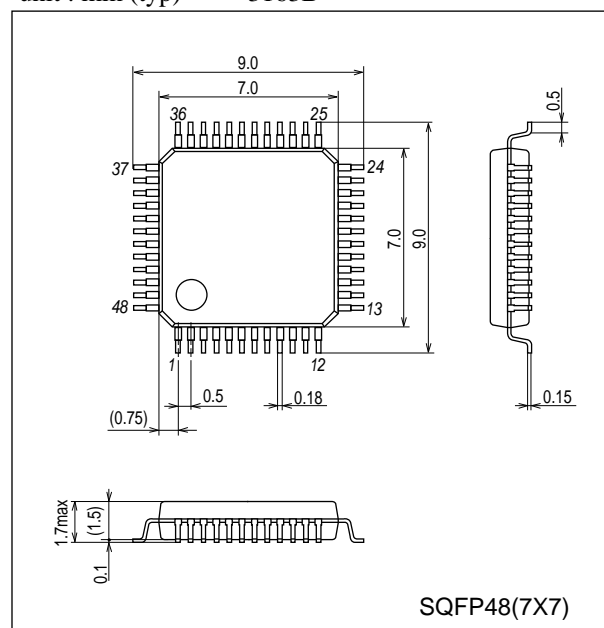
- 1024 × 9 bits

■Package Form

- SQFP48 (7×7): Lead-/Halogen-free type

Package Dimensions

unit : mm (typ) 3163B



* This product is licensed from Silicon Storage Technology, Inc. (USA).

LC87F1M16A

■ Bus Cycle Time

- 83.3ns (When CF=12MHz)

Note: The bus cycle time here refers to the ROM read speed.

■ Minimum Instruction Cycle Time (tCYC)

- 250ns (When CF=12MHz)

■ Ports

- I/O ports

Ports whose I/O direction can be designated in 1-bit units 35 (P00 to P07, P10 to P17, P20 to P27, P31 to P34, P70 to P73, PWM0, PWM1, XT2)

- USB ports 2 (D+, D-)
- Dedicated oscillator ports 2 (CF1, CF2)
- Input-only port (also used for oscillation) 1 (XT1)
- Reset pins 1 (RES)
- Dedicated debugger port 1 (OWP0)
- Power supply pins 6 (VSS1 to 3, VDD1 to 3)

■ Timers

- Timer 0: 16-bit timer/counter with 2 capture registers.
 - Mode 0: 8-bit timer with an 8-bit programmable prescaler (with two 8-bit capture registers) × 2 channels
 - Mode 1: 8-bit timer with an 8-bit programmable prescaler (with two 8-bit capture registers) + 8-bit counter (with two 8-bit capture registers)
 - Mode 2: 16-bit timer with an 8-bit programmable prescaler (with two 16-bit capture registers)
 - Mode 3: 16-bit counter (with two 16-bit capture registers)
- Timer 1: 16-bit timer/counter that supports PWM/toggle outputs
 - Mode 0: 8-bit timer with an 8-bit prescaler (with toggle outputs) + 8-bit timer/counter with an 8-bit prescaler (with toggle outputs)
 - Mode 1: 8-bit PWM with an 8-bit prescaler × 2 channels
 - Mode 2: 16-bit timer/counter with an 8-bit prescaler (with toggle outputs) (toggle outputs also possible from lower-order 8 bits)
 - Mode 3: 16-bit timer with an 8-bit prescaler (with toggle outputs) (lower-order 8 bits may be used as a PWM output)
- Timer 4: 8-bit timer with a 6-bit prescaler
- Timer 5: 8-bit timer with a 6-bit prescaler
- Timer 6: 8-bit timer with a 6-bit prescaler (with toggle outputs)
- Timer 7: 8-bit timer with a 6-bit prescaler (with toggle outputs)
- Base timer
 - (1) The clock is selectable from the subclock (32.768kHz crystal oscillation), system clock, and timer 0 prescaler output.
 - (2) Interrupts programmable in 5 different time schemes

■ SIO

- SIO0: Synchronous serial interface
 - (1) LSB first/MSB first mode selectable
 - (2) Transfer clock cycle: 4/3 to 512/3 tCYC
 - (3) Automatic continuous data transmission (1 to 256 bits, specifiable in 1-bit units) (Suspension and resumption of data transmission possible in 1 byte units)
- SIO1: 8-bit asynchronous/synchronous serial interface
 - Mode 0: Synchronous 8-bit serial I/O (2- or 3-wire configuration, 2 to 512 tCYC transfer clocks)
 - Mode 1: Asynchronous serial I/O (half-duplex, 8 data bits, 1 stop bit, 8 to 2048 tCYC baudrates)
 - Mode 2: Bus mode 1 (start bit, 8 data bits, 2 to 512 tCYC transfer clocks)
 - Mode 3: Bus mode 2 (start detect, 8 data bits, stop detect)
- SIO4: Synchronous serial interface
 - (1) LSB first/MSB first mode selectable
 - (2) Transfer clock cycle: 4/3 to 1020/3 tCYC
 - (3) Automatic continuous data transmission (1 to 1024 bytes, specifiable in 1 byte units, suspension and resumption of data transmission possible in 1 byte or 2 bytes units)
 - (4) Clock polarity selectable
 - (5) CRC16 calculator circuit built in

■ Full Duplex UART

- UART1
 - (1) Data length : 7/8/9 bits selectable
 - (2) Stop bits : 1 bit (2 bits in continuous transmission mode)
 - (3) Baud rate : 16/3 to 8192/3 tCYC
- SCUART
 - (1) Data length : 7/8 bits selectable
 - (2) Stop bits : 1/2 bits selectable
 - (3) Parity bits : None/even parity/odd parity
 - (4) Baud rate : 8/3 to 8192/3 tCYC
 - (5) LSB first/MSB first mode delectable
 - (6) Smartcard interface function

■ AD Converter: 12 bits × 20 channels

- 12-/8-bit resolution selectable AD converter

■ PWM: Multifrequency 12-bit PWM × 2 channels

■ USB Interface (function controller)

- (1) Compliant with USB 2.0 Full-Speed
- (2) Supports a maximum of 6 user-defined endpoints.

Endpoint		EP0	EP1	EP2	EP3	EP4	EP5	EP6
Transfer Type	Control	○	-	-	-	-	-	-
	Bulk	-	○	○	○	○	○	○
	Interrupt	-	○	○	○	○	○	○
	Isochronous	-	○	○	○	○	○	○
Max. payload		64	64	64	64	64	64	64

■ Watchdog Timer

- Internal counter watchdog timer
 - (1) Generates an internal reset on an overflow occurring in the timer running on the low-speed RC oscillator clock (approx. 30kHz) or subclock.
 - (2) Operating mode at HALT/HOLD mode is selectable from 3 modes (continue counting/suspend operation/suspend counting with the count value retained)

■ Clock Output Function

- (1) Can output a clock with a clock rate of 1/1, 1/2, 1/4, 1/8, 1/16, 1/32, or 1/64 of the source oscillator clock selected as the system clock.
- (2) Can output the source oscillation clock for the subclock.

LC87F1M16A

■ Interrupts

- 35 sources, 10 vector addresses

- (1) Provides three levels (low (L), high (H), and highest (X)) of multiplex interrupt control. Any interrupt requests of the level equal to or lower than the current interrupt are not accepted.
- (2) When interrupt requests to two or more vector addresses occur at the same time, the interrupt of the highest level takes precedence over the other interrupts. For interrupts of the same level, the interrupt into the smallest vector address takes precedence.

No.	Vector Address	Level	Interrupt Source
1	00003H	X or L	INT0
2	0000BH	X or L	INT1
3	00013H	H or L	INT2/T0L/INT4/USB bus active
4	0001BH	H or L	INT3/INT5/base timer
5	00023H	H or L	T0H/INT6
6	0002BH	H or L	T1L/T1H/INT7
7	00033H	H or L	SIO0/USB bus reset/USB suspend/UART1 receive complete/ SCUART receive complete
8	0003BH	H or L	SIO1/USB endpoint/USB-SOF/SIO4/ UART1 buffer empty/UART1 transmit complete/ SCUART buffer empty/SCUART transmit complete
9	00043H	H or L	ADC/T6/T7
10	0004BH	H or L	Port 0/PWM0/PWM1/T4/T5

- Priority levels $X > H > L$
- Of interrupts of the same level, the one with the smallest vector address takes precedence.

■ Subroutine Stack Levels: 512 levels maximum (The stack is allocated in RAM.)

■ High-speed Multiplication/Division Instructions

- 16 bits \times 8 bits (5 tCYC execution time)
- 24 bits \times 16 bits (12 tCYC execution time)
- 16 bits \div 8 bits (8 tCYC execution time)
- 24 bits \div 16 bits (12 tCYC execution time)

■ Oscillation and PLL Circuits

- RC oscillation circuit (internal) : For system clock (approx. 1MHz)
- Low-speed RC oscillation circuit (internal) : For watchdog timer (approx. 30kHz)
- CF oscillation circuit : For system clock
- Crystal oscillation circuit : For system clock, time-of-day clock
- PLL circuit (internal) : For USB interface (see Fig.5)

■ Internal Reset Circuit

- Power-on reset (POR) function

- (1) POR reset is generated only at power-on time.
- (2) The POR release level can be selected from 4 levels (2.57V, 2.87V, 3.86V and 4.35V) through option configuration.

- Low-voltage detection reset (LVD) function

- (1) LVD and POR functions are combined to generate resets when power is turned on and when power voltage falls below a certain level.
- (2) The use/disuse of the LVD function and the voltage threshold level can be selected from 3 levels (2.81V, 3.79V and 4.28V) through option configuration.

■ Standby Function

- HALT mode: Halts instruction execution while allowing the peripheral circuits to continue operation.
 - (1) Oscillation is not halted automatically.
 - (2) There are three ways of resetting the HOLD mode.
 - 1) Setting the reset pin to the lower level
 - 2) Having the watchdog timer or LVD function generate a reset
 - 3) Having an interrupt generated
- HOLD mode: Suspends instruction execution and the operation of the peripheral circuits.
 - (1) The PLL base clock generator, CF, RC and crystal oscillators automatically stop operation.

Note: The low-speed RC oscillator is controlled directly by the watchdog timer; its oscillation in the standby mode is also controlled by the watchdog timer.
 - (2) There are five ways of resetting the HOLD mode.
 - 1) Setting the reset pin to the lower level
 - 2) Having the watchdog timer or LVD function generate a reset
 - 3) Having an interrupt source established at one of the INT0, INT1, INT2, INT4 or INT5 pins
* INT0 and INT1 HOLD mode reset is available only when level detection is set.
 - 4) Having an interrupt source established at port 0
 - 5) Having an bus active interrupt source established in the USB interface circuit
- X'tal HOLD mode: Suspends instruction execution and the operation of the peripheral circuits except the base timer.
 - (1) The PLL base clock generator, CF and RC oscillator automatically stop operation.

Note: The low-speed RC oscillator is controlled directly by the watchdog timer; its oscillation in the standby mode is also controlled by the watchdog timer.
 - (2) The state of crystal oscillation established when the X'tal HOLD mode is entered is retained.
 - (3) There are six ways of resetting the X'tal HOLD mode.
 - 1) Setting the reset pin to the low level
 - 2) Having the watchdog timer or LVD function generate a reset
 - 3) Having an interrupt source established at either INT0, INT1, INT2, INT4 or INT5
* INT0 and INT1 HOLD mode reset is available only when level detection is set.
 - 4) Having an interrupt source established at port 0
 - 5) Having an interrupt source established in the base timer circuit
 - 6) Having an bus active interrupt source established in the USB interface circuit

■ Development Tools

- On-chip debugger: TCB87 type-C (one wire communication cable) + LC87F1M16A

LC87F1M16A

■ Flash ROM Programming Boards

Package	Programming boards
SQFP48(7×7)	W87F55256SQ

■ Flash Programmer

Maker		Model	Supported version	Device
Flash Support Group, Inc. (FSG)	Single Programmer	AF9709/AF9709B/AF9709C (Including Ando Electric Co., Ltd. models)	Rev 03.32 or later	87F016JU
Flash Support Group, Inc. (FSG) + Our company (Note 1)	Onboard Single/Gang Programmer	AF9101/AF9103(Main unit) (FSG models)	(Note 2)	LC87F1M16A
		SIB87(Inter Face Driver) (Our company model)		
Our company	Single/Gang Programmer	SKK/SKK Type B (SanyoFWS)	Application Version 1.06 or later Chip Data Version 2.31 or later	LC87F1M16
	Onboard Single/Gang Programmer	SKK-DBG Type C (SanyoFWS)		

For information about AF-Series:

Flash Support Group, Inc.

TEL: +81-53-459-1050

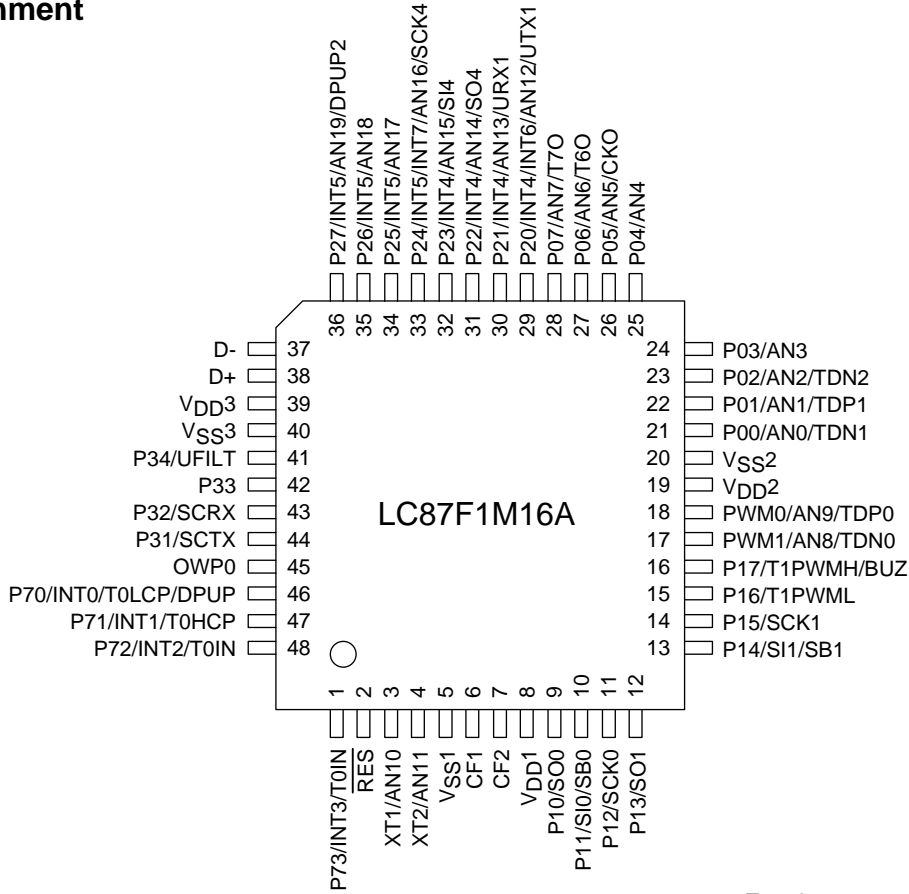
E-mail: sales@j-fsg.co.jp

Note1: On-board-programmer from FSG (AF9101/AF9103) and serial interface driver from Our company (SIB87) together can give a PC-less, standalone on-board-programming capabilities.

Note2: It needs a special programming devices and applications depending on the use of programming environment. Please ask FSG or Our company for the information.

LC87F1M16A

Pin Assignment



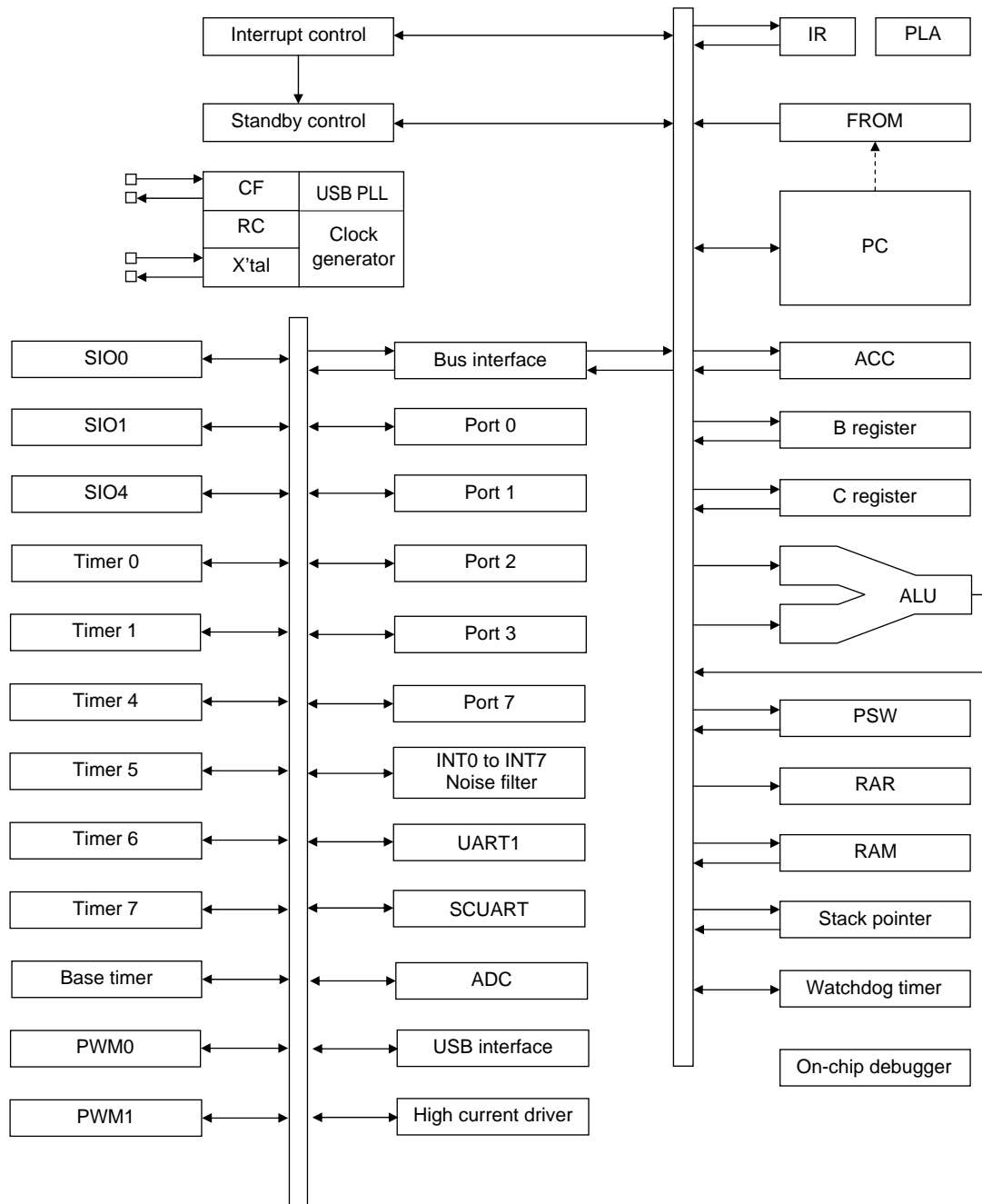
Top view

SQFP48(7×7) “Lead-/Halogen-free Type”

SQFP48	NAME
1	P73/INT3/T0IN
2	RES
3	XT1/AN10
4	XT2/AN11
5	VSS1
6	CF1
7	CF2
8	VDD1
9	P10/SO0
10	P11/SI0/SB0
11	P12/SCK0
12	P13/SO1
13	P14/SI1/SB1
14	P15/SCK1
15	P16/T1PWML
16	P17/T1PWMH/BUZ
17	PWM1/AN8/TDN0
18	PWM0/AN9/TDP0
19	VDD2
20	VSS2
21	P00/AN0/TDN1
22	P01/AN1/TDP1
23	P02/AN2/TDN2
24	P03/AN3

SQFP48	NAME
25	P04/AN4
26	P05/AN5/CKO
27	P06/AN6/T6O
28	P07/AN7/T7O
29	P20/INT4/INT6/AN12/UTX1
30	P21/INT4/AN13/URX1
31	P22/INT4/AN14/SO4
32	P23/INT4/AN15/SI4
33	P24/INT5/INT7/AN16/SCK4
34	P25/INT5/AN17
35	P26/INT5/AN18
36	P27/INT5/AN19/DPUP2
37	D-
38	D+
39	VDD3
40	VSS3
41	P34/UFILT
42	P33
43	P32/SCRX
44	P31/SCTX
45	OWP0
46	P70/INT0/T0LCP/DPUP
47	P71/INT1/T0HCP
48	P72/INT2/T0IN

System Block Diagram



LC87F1M16A

Pin Description

Pin Name	I/O	Description	Option																														
V _{SS1} , V _{SS2} , V _{SS3}	-	- Power supply	No																														
V _{DD1} , V _{DD2}	-	+ Power supply	No																														
V _{DD3}	-	USB reference voltage	Yes																														
Port 0 P00 to P07	I/O	<ul style="list-style-type: none"> • 8-bit I/O ports • I/O specifiable in 1-bit units • Pull-up resistors can be turned on and off in 1-bit units • HOLD reset input • Port 0 interrupt input • Pin functions AD converter input ports: AN0 to AN7(P00 to P07) P00: High current Nch driver(TDN1) P01: High current Pch driver(TDP1) P02: High current Nch driver(TDN2) P05: System clock output P06: Timer 6 toggle output P07: Timer 7 toggle output	Yes																														
Port 1 P10 to P17	I/O	<ul style="list-style-type: none"> • 8-bit I/O port • I/O specifiable in 1-bit units • Pull-up resistors can be turned on and off in 1-bit units • Pin functions P10: SIO0 data output P11: SIO0 data input/bus I/O P12: SIO0 clock I/O P13: SIO1 data output P14: SIO1 data input/bus I/O P15: SIO1 clock I/O P16: Timer 1 PWML output P17: Timer 1 PWMH output/beeper output	Yes																														
Port 2 P20 to P27	I/O	<ul style="list-style-type: none"> • 8-bit I/O ports • I/O specifiable in 1-bit units • Pull-up resistors can be turned on and off in 1-bit units • Pin functions AD converter input ports: AN12 to AN19(P20 to P27) P20 to P23: INT4 input/HOLD reset input/timer 1 event input/timer 0L capture input/ timer 0H capture input P24 to P27: INT5 input/HOLD reset input/timer 1 event input/timer 0L capture input/ timer 0H capture input P20: INT6 input/timer 0L capture 1 input/UART1 transmit P21: UART1 receive P22: SIO4 date I/O P23: SIO4 date I/O P24: INT7 input/timer 0H capture 1 input/SIO4 clock I/O P27: D+ 1.5kΩ pull-up resistor connect pin Interrupt acknowledge types <table border="1" style="width: 100%; border-collapse: collapse; text-align: center;"> <thead> <tr> <th></th> <th>Rising</th> <th>Falling</th> <th>Rising & Falling</th> <th>H level</th> <th>L level</th> </tr> </thead> <tbody> <tr> <td>INT4</td> <td>enable</td> <td>enable</td> <td>enable</td> <td>disable</td> <td>disable</td> </tr> <tr> <td>INT5</td> <td>enable</td> <td>enable</td> <td>enable</td> <td>disable</td> <td>disable</td> </tr> <tr> <td>INT6</td> <td>enable</td> <td>enable</td> <td>enable</td> <td>disable</td> <td>disable</td> </tr> <tr> <td>INT7</td> <td>enable</td> <td>enable</td> <td>enable</td> <td>disable</td> <td>disable</td> </tr> </tbody> </table>		Rising	Falling	Rising & Falling	H level	L level	INT4	enable	enable	enable	disable	disable	INT5	enable	enable	enable	disable	disable	INT6	enable	enable	enable	disable	disable	INT7	enable	enable	enable	disable	disable	Yes
	Rising	Falling	Rising & Falling	H level	L level																												
INT4	enable	enable	enable	disable	disable																												
INT5	enable	enable	enable	disable	disable																												
INT6	enable	enable	enable	disable	disable																												
INT7	enable	enable	enable	disable	disable																												
Port 3 P31 to P34	I/O	<ul style="list-style-type: none"> • 4-bit I/O ports • I/O specifiable in 1-bit units • Pull-up resistors can be turned on and off in 1-bit units • Pin functions P31: SCUART transmit P32: SCUART receive P34: USB interface PLL filter pin (see Fig. 5.)	Yes																														

Continued on next page.

LC87F1M16A

Continued from preceding page.

Pin Name	I/O	Description	Option																														
Port 7 P70 to P73	I/O	<ul style="list-style-type: none"> • 4-bit I/O port • I/O specifiable in 1-bit units • Pull-up resistors can be turned on and off in 1-bit units • Pin functions <p>P70: INT0 input/HOLD reset input/timer 0L capture input/ D+ 1.5kΩ pull-up resistor connect pin P71: INT1 input/HOLD reset input/timer 0H capture input P72: INT2 input/HOLD reset input/timer 0 event input/timer 0L capture input/ high speed clock counter input P73: INT3 input (input with noise filter)/timer 0 event input/timer 0H capture input</p> <p>Interrupt acknowledge types</p> <table border="1" style="width: 100%; border-collapse: collapse; text-align: center;"> <thead> <tr> <th></th> <th>Rising</th> <th>Falling</th> <th>Rising & Falling</th> <th>H level</th> <th>L level</th> </tr> </thead> <tbody> <tr> <td>INT0</td> <td>enable</td> <td>enable</td> <td>disable</td> <td>enable</td> <td>enable</td> </tr> <tr> <td>INT1</td> <td>enable</td> <td>enable</td> <td>disable</td> <td>enable</td> <td>enable</td> </tr> <tr> <td>INT2</td> <td>enable</td> <td>enable</td> <td>enable</td> <td>disable</td> <td>disable</td> </tr> <tr> <td>INT3</td> <td>enable</td> <td>enable</td> <td>enable</td> <td>disable</td> <td>disable</td> </tr> </tbody> </table>		Rising	Falling	Rising & Falling	H level	L level	INT0	enable	enable	disable	enable	enable	INT1	enable	enable	disable	enable	enable	INT2	enable	enable	enable	disable	disable	INT3	enable	enable	enable	disable	disable	No
	Rising	Falling	Rising & Falling	H level	L level																												
INT0	enable	enable	disable	enable	enable																												
INT1	enable	enable	disable	enable	enable																												
INT2	enable	enable	enable	disable	disable																												
INT3	enable	enable	enable	disable	disable																												
PWM0 PWM1	I/O	<ul style="list-style-type: none"> • PWM0, PWM1 output port • Pin functions <p>General-purpose input ports AD converter input ports: AN8(PWM1), AN9(PWM0) PWM0: High current Pch driver(TDP0) PWM1: High current Nch driver(TDN0)</p>	No																														
D-	I/O	<ul style="list-style-type: none"> • USB data I/O pin D- • General-purpose I/O port 	No																														
D+	I/O	<ul style="list-style-type: none"> • USB data I/O pin D+ • General-purpose I/O port 	No																														
$\overline{\text{RES}}$	Input	External reset input/internal reset output pin	No																														
XT1	Input	<ul style="list-style-type: none"> • 32.768kHz crystal oscillator input • Pin functions <p>General-purpose input port AD converter input ports: AN10</p>	No																														
XT2	I/O	<ul style="list-style-type: none"> • 32.768kHz crystal oscillator output • Pin functions <p>General-purpose I/O AD converter input port: AN11</p>	No																														
CF1	Input	Ceramic resonator input	No																														
CF2	Output	Ceramic resonator output	No																														
OWP0	I/O	Dedicated debugger port	No																														

On-chip Debugger Pin Connection Requirements

For the treatment of the on-chip debugger pins, refer to the separately available documents entitled “Rd87 On-chip Debugger Installation Manual”

Recommended Unused Pin Connections

Port Name	Recommended Unused Pin Connections	
	Board	Software
P00 to P07	Open	Output low
P10 to P17	Open	Output low
P20 to P27	Open	Output low
P31 to P34	Open	Output low
P70 to P73	Open	Output low
PWM0, PWM1	Open	Output low
D+, D-	Open	Output low
XT1	Pulled low with a 100kΩ resistor or less	-
XT2	Open	Output low
OWP0	Pulled low with a 100kΩ resistor	-

Note: P34 and UFILT share the same pin, so if USB function is used, the pin must be set to input mode.

Port Output Types

The table below lists the types of port outputs and the presence/absence of a pull-up resistor.

Data can be read into any input port even if it is in the output mode.

Port Name	Option selected in units of	Option type	Output type	Pull-up resistor
P00 to P07 P10 to P17 P20 to P27 P31 to P34	1 bit	1	CMOS	Programmable
		2	Nch-open drain	Programmable
P70	-	No	Nch-open drain	Programmable
P71 to P73	-	No	CMOS	Programmable
PWM0, PWM1	-	No	CMOS	No
D+, D-	-	No	CMOS	No
XT1	-	No	Input only	No
XT2	-	No	32.768kHz crystal resonator output (N channel open drain when in general-purpose output mode)	No

LC87F1M16A

User Option Table

Option Name	Option Type	Flash Version	Option Selected in Units of	Option Selection
Port output form	P00 to P07	enable	1 bit	CMOS
				Nch-open drain
	P10 to P17	enable	1 bit	CMOS
				Nch-open drain
	P20 to P27	enable	1 bit	CMOS
				Nch-open drain
	P31 to P34	enable	1 bit	CMOS
				Nch-open drain
Program start address	-	enable	-	00000h
				03E00h
USB Regulator	USB Regulator	enable	-	USE
				NONUSE
	USB Regulator (at HOLD mode)	enable	-	USE
				NONUSE
	USB Regulator (at HALT mode)	enable	-	USE
				NONUSE
Main clock 8MHz selection	-	enable	-	ENABLE
				DISABLE
Low-voltage detection reset function	Detect function	enable	-	Enable: Use
				Disable: Not Used
	Detect level	enable	-	3-level
Power-on reset function	Power-On reset level	enable	-	4-level

USB Reference Power Option

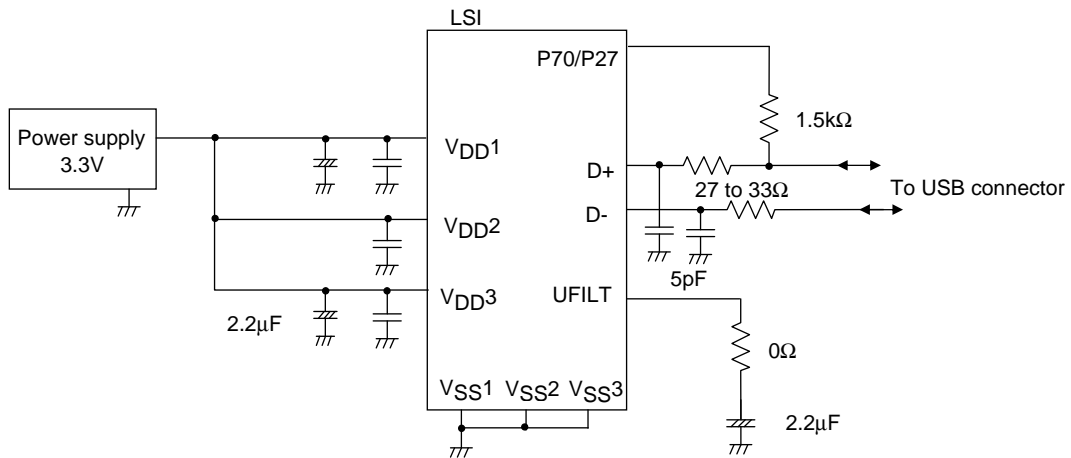
When a voltage 4.5 to 5.5V is supplied to VDD1 and the internal USB reference voltage circuit is activated, the reference voltage for USB port output is generated. The active/inactive state of the reference voltage circuit can be switched by option select. The procedure for marking the option selection is described below.

		(1)	(2)	(3)	(4)
Option settings	USB regulator	USE	USE	USE	NONUSE
	USB regulator at HOLD mode	USE	NONUSE	NONUSE	NONUSE
	USB regulator at HALT mode	USE	NONUSE	USE	NONUSE
Reference voltage circuit state	Normal mode	active	active	active	inactive
	HOLD mode	active	inactive	inactive	inactive
	HALT mode	active	inactive	active	inactive

- When the USB reference voltage circuit is made inactive, the level of the reference voltage for USB port output is equal to VDD1.
- Selection (2) or (3) can be used to set the reference voltage circuit inactive in HOLD or HALT mode.
- When the reference voltage circuit is activated, the current drain increases by approximately 100µA compared with when the reference voltage circuit is inactive.

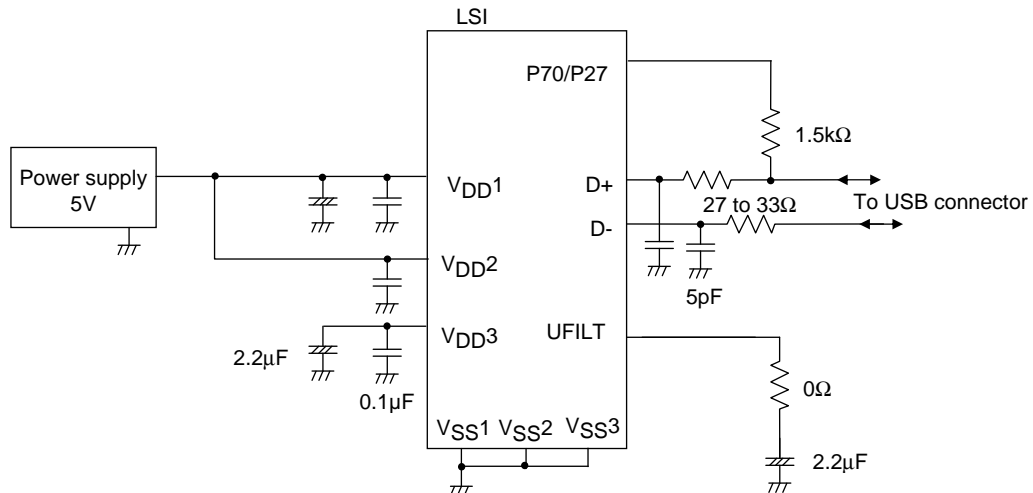
Example 1: VDD1=VDD2=3.3V

- Inactivating the reference voltage circuit (selection (4)).
- Connecting VDD3 to VDD1 and VDD2.



Example 2: VDD1=VDD2=5.0V

- Activating the reference voltage circuit (selection (1)).
- Isolating VDD3 from VDD1 and VDD2, and connecting capacitor between VDD3 and VSS.



LC87F1M16A

Absolute Maximum Ratings at Ta = 25°C, VSS1 = VSS2 = VSS3 = 0V

Parameter	Symbol	Pin/Remarks	Conditions	Specification				unit
				V _{DD} [V]	min	typ	max	
Maximum supply voltage	V _{DD} max	V _{DD1} , V _{DD2} , V _{DD3}	V _{DD1} = V _{DD2} = V _{DD3}		-0.3		+6.5	V
Input voltage	V _I (1)	XT1, CF1, RES			-0.3		V _{DD} +0.3	
Input/output voltage	V _{IO} (1)	Ports 0, 1, 2, 3, 7 PWM0, PWM1 XT2			-0.3		V _{DD} +0.3	
High level output current	Peak output current	IOPH(1)	P00, P02 to P07 Ports 1, 2	<ul style="list-style-type: none"> When CMOS output type is selected Per 1 applicable pin 		-10		mA
		IOPH(2)	PWM1	Per 1 applicable pin		-20		
		IOPH(3)	PWM0(TDP0) P01(TDP1)	<ul style="list-style-type: none"> When CMOS output type is selected Per 1 applicable pin 		-50		
		IOPH(4)	Port 3 P71 to P73	<ul style="list-style-type: none"> When CMOS output type is selected Per 1 applicable pin 		-5		
	Average output current (Note 1-1)	IOMH(1)	P00, P02 to P07 Ports 1, 2	<ul style="list-style-type: none"> When CMOS output type is selected Per 1 applicable pin 		-7.5		
		IOMH(2)	PWM1	Per 1 applicable pin		-15		
		IOMH(3)	PWM0(TDP0) P01(TDP1)	<ul style="list-style-type: none"> When CMOS output type is selected Per 1 applicable pin 		-30		
		IOMH(4)	Port 3 P71 to P73	<ul style="list-style-type: none"> When CMOS output type is selected Per 1 applicable pin 		-3		
	Total output current	ΣIOAH(1)	P00, P02 to P07 Ports 2	Total current of all applicable pins		-25		
		ΣIOAH(2)	Port 1 PWM1	Total current of all applicable pins		-25		
		ΣIOAH(3)	PWM0(TDP0) P01(TDP1)	Total current of all applicable pins		-50		
		ΣIOAH(4)	Ports 0, 1, 2 PWM0, PWM1	Total current of all applicable pins		-100		
		ΣIOAH(5)	Port 3 P71 to P73	Total current of all applicable pins		-10		
		ΣIOAH(6)	D+, D-	Total current of all applicable pins		-25		

Note 1-1: The average output current is an average of current values measured over 100ms intervals.

Continued on next page.

LC87F1M16A

Continued from preceding page.

Parameter	Symbol	Pin/Remarks	Conditions	Specification				unit	
				V _{DD} [V]	min	typ	max		
Low level output current	Peak output current	IOPL(1)	P03 to P07 Ports 1, 2 PWM0	Per 1 applicable pin				20	mA
		IOPL(2)	P01	Per 1 applicable pin				30	
		IOPL(3)	PWM1(TDN0) P00(TDN1) P02(TDN2)	Per 1 applicable pin				50	
		IOPL(4)	Ports 3, 7 XT2	Per 1 applicable pin				10	
	Average output current (Note 1-1)	IOML(1)	P03 to P07 Ports 1, 2 PWM0	Per 1 applicable pin				15	
		IOML(2)	P01	Per 1 applicable pin				20	
		IOML(3)	PWM1(TDN0) P00(TDN1) P02(TDN2)	Per 1 applicable pin				30	
		IOML(4)	Ports 3, 7 XT2	Per 1 applicable pin				7.5	
	Total output current	ΣIOAL(1)	P01, P03 to P07 Ports 2	Total current of all applicable pins				45	
		ΣIOAL(2)	Port 1 PWM0	Total current of all applicable pins				45	
		ΣIOAL(3)	PWM1(TDN0) P00(TDN1) P02(TDN2)	Total current of all applicable pins				50	
		ΣIOAL(4)	Ports 0, 1, 2 PWM0, PWM1	Total current of all applicable pins				140	
ΣIOAL(5)		Ports 3, 7 XT2	Total current of all applicable pins				15		
ΣIOAL(6)		D+, D-	Total current of all applicable pins				25		
Allowable power Dissipation	Pd max	SQFP48(7×7)	Ta=-30 to +70°C				190	mW	
			Ta=-40 to +85°C				140		
Operating ambient Temperature	Topr				-40		+85	°C	
Storage ambient temperature	Tstg				-55		+125		

Note 1-1: The average output current is an average of current values measured over 100ms intervals.

Stresses exceeding Maximum Ratings may damage the device. Maximum Ratings are stress ratings only. Functional operation above the Recommended Operating Conditions is not implied. Extended exposure to stresses above the Recommended Operating Conditions may affect device reliability.

LC87F1M16A

Allowable Operating Conditions at $T_a = -40^{\circ}\text{C}$ to $+85^{\circ}\text{C}$, $V_{SS1} = V_{SS2} = V_{SS3} = 0\text{V}$

Parameter	Symbol	Pin/Remarks	Conditions	Specification				unit
				$V_{DD}[\text{V}]$	min	typ	max	
Operating supply voltage (Note 2-1)	$V_{DD}(1)$	$V_{DD1}=V_{DD2}=V_{DD3}$	$0.245\mu\text{s} \leq t_{CYC} \leq 200\mu\text{s}$		3.0		5.5	V
			$0.490\mu\text{s} \leq t_{CYC} \leq 200\mu\text{s}$ Except in onboard programming mode		2.7		5.5	
			$0.245\mu\text{s} \leq t_{CYC} \leq 0.383\mu\text{s}$ USB circuit active		3.0		5.5	
Memory sustaining supply voltage	VHD	$V_{DD1}=V_{DD2}=V_{DD3}$	RAM and register contents sustained in HOLD mode.		2.0		5.5	
High level input voltage	$V_{IH}(1)$	Port 0, 1, 2, 3, 7 PWM0, PWM1		2.7 to 5.5	$0.3V_{DD} + 0.7$		V_{DD}	
	$V_{IH}(2)$	XT1, XT2, CF1, $\overline{\text{RES}}$		2.7 to 5.5	$0.75V_{DD}$		V_{DD}	
Low level input voltage	$V_{IL}(1)$	Port 1, 2, 3, 7		4.0 to 5.5	V_{SS}		$0.1V_{DD} + 0.4$	
	$V_{IL}(2)$			2.7 to 4.0	V_{SS}		$0.2V_{DD}$	
	$V_{IL}(3)$	Port 0 PWM0, PWM1		4.0 to 5.5	V_{SS}		$0.15V_{DD} + 0.4$	
	$V_{IL}(4)$			2.7 to 4.0	V_{SS}		$0.2V_{DD}$	
	$V_{IL}(5)$	XT1, XT2, CF1, $\overline{\text{RES}}$		2.7 to 5.5	V_{SS}		$0.25V_{DD}$	
Instruction cycle time (Note 2-2)	tCYC			3.0 to 5.5	0.245		200	μs
			Except for onboard programming mode	2.7 to 5.5	0.490		200	
			USB circuit active	3.0 to 5.5	0.245		0.383	
External system clock frequency	FEXCF(1)	CF1	<ul style="list-style-type: none"> • CF2 pin open • System clock frequency division ratio=1/1 • External system clock duty =50±5% 	3.0 to 5.5	0.1		12	MHz
			<ul style="list-style-type: none"> • CF2 pin open • System clock frequency division ratio=1/1 • External system clock duty =50±5% 	2.7 to 5.5	0.1		6	
Oscillation frequency range (Note 2-3)	FmCF	CF1, CF2	When 12MHz ceramic oscillation See Fig. 1.	3.0 to 5.5		12		MHz
	FmRC		Internal RC oscillation	2.7 to 5.5	0.5	1.0	2.0	
	FmSLRC		Internal low-speed RC oscillation	2.7 to 5.5	15	30	60	kHz
	FsX'tal	XT1, XT2	32.768kHz crystal oscillation See Fig. 2.	2.7 to 5.5		32.768		

Note 2-1: V_{DD} must be held greater than or equal to 3.0V in the flash ROM onboard programming mode.

Note 2-2: Relationship between tCYC and oscillation frequency is $3/F_{mCF}$ at a division ratio of 1/1 and $6/F_{mCF}$ at a division ratio of 1/2.

Note 2-3: See Tables 1 and 2 for the oscillation constants.

LC87F1M16A

Electrical Characteristics at Ta = -40°C to +85°C, VSS1 = VSS2 = VSS3 = 0V

Parameter	Symbol	Pin/Remarks	Conditions	Specification				
				VDD[V]	min	typ	max	unit
High level input current	I _{IH} (1)	Ports 0, 1, 2, 3, 7 $\overline{\text{RES}}$ PWM0, PWM1 D+, D-	Output disabled Pull-up resistor off V _{IN} =V _{DD} (Including output Tr's off leakage current)	2.7 to 5.5			1	μA
	I _{IH} (2)	XT1, XT2	Input port configuration V _{IN} =V _{DD}	2.7 to 5.5			1	
	I _{IH} (3)	CF1	V _{IN} =V _{DD}	2.7 to 5.5			15	
Low level input current	I _{IL} (1)	Ports 0, 1, 2, 3, 7 $\overline{\text{RES}}$ PWM0, PWM1 D+, D-	Output disabled Pull-up resistor off V _{IN} =V _{SS} (Including output Tr's off leakage current)	2.7 to 5.5	-1			μA
	I _{IL} (2)	XT1, XT2	Input port configuration V _{IN} =V _{SS}	2.7 to 5.5	-1			
	I _{IL} (3)	CF1	V _{IN} =V _{SS}	2.7 to 5.5	-15			
High level output voltage	V _{OH} (1)	Ports 0, 1, 2, 3 P71 to P73	I _{OH} =-1mA	4.5 to 5.5	V _{DD} -1			V
	V _{OH} (2)		I _{OH} =-0.4mA	3.0 to 5.5	V _{DD} -0.4			
	V _{OH} (3)		I _{OH} =-0.2mA	2.7 to 5.5	V _{DD} -0.4			
	V _{OH} (4)	PWM0, WM1 P05(CKO when using system clock output function)	I _{OH} =-10mA	4.5 to 5.5	V _{DD} -1.5			
	V _{OH} (5)		I _{OH} =-1.6mA	3.0 to 5.5	V _{DD} -0.4			
	V _{OH} (6)		I _{OH} =-1mA	2.7 to 5.5	V _{DD} -0.4			
	V _{OH} (7)		PWM0, P01 (when using high current driver)	I _{OH} =-30mA	4.5 to 5.5	V _{DD} -0.5	V _{DD} -0.15	
Low level output voltage	V _{OL} (1)	P00, P01	I _{OL} =30mA	4.5 to 5.5			1.5	V
	V _{OL} (2)		I _{OL} =5mA	3.0 to 5.5			0.4	
	V _{OL} (3)		I _{OL} =2.5mA	2.7 to 5.5			0.4	
	V _{OL} (4)	Ports 0, 1, 2 PWM0, PWM1	I _{OL} =10mA	4.5 to 5.5			1.5	
	V _{OL} (5)		I _{OL} =1.6mA	3.0 to 5.5			0.4	
	V _{OL} (6)	XT2	I _{OL} =1mA	2.7 to 5.5			0.4	
	V _{OL} (7)	Ports 3, 7	I _{OL} =1.6mA	3.0 to 5.5			0.4	
	V _{OL} (8)		I _{OL} =1mA	2.7 to 5.5			0.4	
	V _{OL} (9)	PWM1, P00, P02 (when using high current driver)	I _{OL} =30mA	4.5 to 5.5		0.15	0.5	
Pull-up resistance	R _{pu} (1)	Ports 0, 1, 2, 3, 7	V _{OH} =0.9V _{DD}	4.5 to 5.5	15	35	80	kΩ
	R _{pu} (2)			2.7 to 5.5	18	50	150	
Hysteresis voltage	V _{HYS}	$\overline{\text{RES}}$ Port 1, 2, 3, 7		2.7 to 5.5		0.1V _{DD}		V
Pin capacitance	CP	All pins	For pins other than that under test: V _{IN} =V _{SS} f=1MHz Ta=25°C	2.7 to 5.5		10		pF

LC87F1M16A

Serial I/O Characteristics at Ta = -40°C to +85°C, VSS1 = VSS2 = VSS3 = 0V

1. SIO0 Serial I/O Characteristics (Note 4-1-1)

Parameter	Symbol	Pin/ Remarks	Conditions	V _{DD} [V]	Specification							
					min	typ	max	unit				
Serial clock	Input clock	Frequency	tSCK(1)	SCK0(P12)	2.7 to 5.5				tCYC			
		See Fig. 8.		2								
		Low level pulse width	tSCKL(1)							1		
		High level pulse width	tSCKH(1)							1		
			tSCKHA(1a)	<ul style="list-style-type: none"> Continuous data transmission/reception mode USB nor SIO4 are not in use simultaneous. See Fig. 8. (Note 4-1-2) 						4		
	tSCKHA(1b)	<ul style="list-style-type: none"> Continuous data transmission/reception mode USB is in use simultaneous SIO4 is not in use simultaneous. See Fig. 8. (Note 4-1-2) 	7									
	tSCKHA(1c)	<ul style="list-style-type: none"> Continuous data transmission/reception mode USB and SIO4 are in use simultaneous. See Fig. 8. (Note 4-1-2) 	9									
	Output clock	Frequency	tSCK(2)	SCK0(P12)	2.7 to 5.5				tSCK			
		Low level pulse width	tSCKL(2)	<ul style="list-style-type: none"> CMOS output selected See Fig. 8. 						4/3		
		High level pulse width	tSCKH(2)							1/2		
tSCKHA(2a)			<ul style="list-style-type: none"> Continuous data transmission/reception mode USB nor SIO4 are not in use simultaneous. CMOS output selected See Fig. 8. 	tSCKH(2) +2tCYC							tSCKH(2) +(10/3) tCYC	
tSCKHA(2b)		<ul style="list-style-type: none"> Continuous data transmission/reception mode USB is in use simultaneous SIO4 is not in use simultaneous. CMOS output selected See Fig. 8. 	tSCKH(2) +2tCYC							tSCKH(2) +(19/3) tCYC	tCYC	
tSCKHA(2c)	<ul style="list-style-type: none"> Continuous data transmission/reception mode USB and SIO4 are in use simultaneous. CMOS output selected See Fig. 8. 	tSCKH(2) +2tCYC		tSCKH(2) +(25/3) tCYC	tCYC							

Note 4-1-1: These specifications are theoretical values. Add margin depending on its use.

Note 4-1-2: To use serial-clock-input in continuous trans/rec mode, a time from SIORUN being set when serial clock is "H" to the first negative edge of the serial clock must be longer than tSCKHA.

Continued on next page.

LC87F1M16A

Continued from preceding page.

Parameter		Symbol	Pin/ Remarks	Conditions	V _{DD} [V]	Specification			
						min	typ	max	unit
Serial input	Data setup time	tsDI(1)	SB0(P11), SI0(P11)	<ul style="list-style-type: none"> Must be specified with respect to rising edge of SIOCLK. See Fig. 8. 	2.7 to 5.5	0.03			
	Data hold time	thDI(1)				0.03			
Serial output	Output delay time	tdD0(1)	SO0(P10), SB0(P11)	<ul style="list-style-type: none"> Continuous data transmission/reception mode (Note 4-1-3) 	2.7 to 5.5			(1/3)tCYC +0.05	μs
		tdD0(2)				<ul style="list-style-type: none"> Synchronous 8-bit mode (Note 4-1-3) 			
	Output clock	tdD0(3)		(Note 4-1-3)					

Note 4-1-3: Must be specified with respect to falling edge of SIOCLK.

Must be specified as the time to the beginning of output state change in open drain output mode. See Fig. 8.

2. SIO1 Serial I/O Characteristics (Note 4-2-1)

Parameter		Symbol	Pin/ Remarks	Conditions	V _{DD} [V]	Specification				
						min	typ	max	unit	
Serial clock	Input clock	Frequency	SCK1(P15)	See Fig. 8.	2.7 to 5.5	2			tCYC	
		Low level pulse width				tSCKL(3)	1			
		High level pulse width				tSCKH(3)	1			
	Output clock	Frequency	SCK1(P15)	<ul style="list-style-type: none"> When CMOS output type is selected See Fig. 8. 	2.7 to 5.5	2			tSCK	
		Low level pulse width				tSCKL(4)	1/2			
		High level pulse width				tSCKH(4)	1/2			
Serial input	Data setup time	tsDI(2)	SB1(P14), SI1(P14)	<ul style="list-style-type: none"> Must be specified with respect to rising edge of SIOCLK. See Fig. 8. 	2.7 to 5.5	(1/3)tCYC +0.01				
	Data hold time	thDI(2)				0.01				
Serial output	Output delay time	tdD0(4)	SO1(P13), SB1(P14)	<ul style="list-style-type: none"> Must be specified with respect to falling edge of SIOCLK. Must be specified as the time to the beginning of output state change in open drain output mode. See Fig. 8. 	2.7 to 5.5			(1/2)tCYC +0.05	μs	

Note 4-2-1: These specifications are theoretical values. Add margin depending on its use.

LC87F1M16A

3. SIO4 Serial I/O Characteristics (Note 4-3-1)

	Parameter	Symbol	Pin/ Remarks	Conditions	Specification								
					V _{DD} [V]	min	typ	max	unit				
Serial clock	Input clock	Frequency	tSCK(5)	SCK4(P24)	2.7 to 5.5				tCYC				
		Low level pulse width	tSCKL(5)	<ul style="list-style-type: none"> • USB nor continuous data transmission/reception mode of SIO0 are not in use simultaneous. • See Fig.8. • (Note 4-3-2) 						2			
		High level pulse width	tSCKH(5)							1			
			tSCKHA(5a)							1			
			tSCKHA(5b)							<ul style="list-style-type: none"> • USB is in use simultaneous. • Do not use SIO0 continuous data transmission mode at the same time. • See Fig.8. • (Note 4-3-2) 	4		
			tSCKHA(5c)							<ul style="list-style-type: none"> • USB and continuous data transmission/ reception mode of SIO0 are in use simultaneous. • See Fig.8. • (Note 4-3-2) 	7		
	Frequency	tSCK(6)	SCK4(P24)	<ul style="list-style-type: none"> • CMOS output selected • See Fig.8 	10								
	Output clock	Low level pulse width	tSCKL(6)	<ul style="list-style-type: none"> • USB nor continuous data transmission/reception mode of SIO0 are not in use simultaneous. • CMOS output selected • See Fig.8. 	2.7 to 5.5				tCYC				
		High level pulse width	tSCKH(6)							4/3			
			tSCKHA(6a)							1/2			
			tSCKHA(6b)							1/2			
			tSCKHA(6c)							<ul style="list-style-type: none"> • USB is in use simultaneous. • Do not use SIO0 continuous data transmission mode at the same time. • CMOS output selected • See Fig8. 	tSCKH(6) +(5/3) tCYC	tSCKH(6) +(10/3) tCYC	
		tSCKHA(6c)	<ul style="list-style-type: none"> • USB and continuous data transmission/reception mode of SIO0 are in use simultaneous. • CMOS output selected • See Fig.8. 							tSCKH(6) +(5/3) tCYC	tSCKH(6) +(19/3) tCYC		
Serial input	Data setup time	tsDI(3)	SO4(P22), SI4(P23)	<ul style="list-style-type: none"> • Must be specified with respect to rising edge of SIOCLK. • See Fig.8. 	2.7 to 5.5				μs				
	Data hold time	thDI(3)								0.03			
					2.7 to 5.5								

Note 4-3-1: These specifications are theoretical values. Add margin depending on its use.

Note 4-3-2: To use serial-clock-input in continuous trans/rec mode, a time from SI4RUN being set when serial clock is "H" to the first negative edge of the serial clock must be longer than tSCKHA.

Continued on next page.

LC87F1M16A

Continued from preceding page.

Parameter	Symbol	Pin/ Remarks	Conditions	Specification				
				V _{DD} [V]	min	typ	max	unit
Serial output Output delay time	tdD0(5)	SO4(P22), SI4(P23)	<ul style="list-style-type: none"> Must be specified with respect to rising edge of SIOCLK. Must be specified as the time to the beginning of output state change in open drain output mode. See Fig.8. 	2.7 to 5.5			(1/3)t _{CYC} +0.05	μs

Pulse Input Conditions at Ta = -40°C to +85°C, V_{SS1} = V_{SS2} = V_{SS3} = 0V

Parameter	Symbol	Pin/Remarks	Conditions	Specification				
				V _{DD} [V]	min	typ	max	unit
High/low level pulse width	tP1H(1) tP1L(1)	INT0(P70), INT1(P71), INT2(P72), INT4(P20 to P23), INT5(P24 to P27), INT6(P20), INT7(P24)	<ul style="list-style-type: none"> Interrupt source flag can be set. Event inputs for timer 0 or 1 are enabled. 	2.7 to 5.5	1			t _{CYC}
	tPIH(2) tPIL(2)	INT3(P73) when noise filter time constant is 1/1	<ul style="list-style-type: none"> Interrupt source flag can be set. Event inputs for timer 0 are enabled. 	2.7 to 5.5	2			
	tPIH(3) tPIL(3)	INT3(P73) when noise filter time constant is 1/32	<ul style="list-style-type: none"> Interrupt source flag can be set. Event inputs for timer 0 are enabled. 	2.7 to 5.5	64			
	tPIH(4) tPIL(4)	INT3(P73) when noise filter time constant is 1/128	<ul style="list-style-type: none"> Interrupt source flag can be set. Event inputs for timer 0 are enabled. 	2.7 to 5.5	256			
	tPIL(5)	RES	Resetting is enabled.	2.7 to 5.5	200			μs

LC87F1M16A

AD Converter Characteristics at Ta = -40°C to +85°C, VSS1 = VSS2 = VSS3 = 0V

<12-bits AD Converter Mode>

Parameter	Symbol	Pin/Remarks	Conditions	Specification				
				V _{DD} [V]	min	typ	max	unit
Resolution	N	AN0(P00) to AN7(P07), AN8(PWM1), AN9(PWM0), AN10(XT1), AN11(XT2), AN12(P20) to AN19(P27)		3.0 to 5.5		12		bit
Absolute accuracy	ET		(Note 6-1)	3.0 to 5.5			±16	LSB
Conversion time	TCAD		See conversion time calculation formulas. (Note 6-2)	4.5 to 5.5	32		115	μs
				3.0 to 5.5	64		115	
Analog input voltage range	VAIN		3.0 to 5.5	V _{SS}			V _{DD}	V
Analog port input current	I _{AINH}		VAIN=V _{DD}	3.0 to 5.5			1	μA
	I _{AINL}	VAIN=V _{SS}	3.0 to 5.5	-1				

<8-bits AD Converter Mode>

Parameter	Symbol	Pin/Remarks	Conditions	Specification				
				V _{DD} [V]	min	typ	max	unit
Resolution	N	AN0(P00) to AN7(P07), AN8(PWM1), AN9(PWM0), AN10(XT1), AN11(XT2), AN12(P20) to AN19(P27)		3.0 to 5.5		8		bit
Absolute accuracy	ET		(Note 6-1)	3.0 to 5.5			±1.5	LSB
Conversion time	TCAD		See conversion time calculation formulas. (Note 6-2)	4.5 to 5.5	20		90	μs
				3.0 to 5.5	40		90	
Analog input voltage range	VAIN		3.0 to 5.5	V _{SS}			V _{DD}	V
Analog port input current	I _{AINH}		VAIN=V _{DD}	3.0 to 5.5			1	μA
	I _{AINL}	VAIN=V _{SS}	3.0 to 5.5	-1				

Conversion time calculation formulas :

12-bits AD Converter Mode : TCAD (Conversion time) = ((52/(AD division ratio))+2) × (1/3) × tCYC

8-bits AD Converter Mode : TCAD (Conversion time) = ((32/(AD division ratio))+2) × (1/3) × tCYC

<Recommended Operating Conditions>

External oscillator FmCF[MHz]	Supply Voltage Range V _{DD} [V]	System Clock Division (SYSDIV)	Cycle Time tCYC [ns]	AD Frequency Division Ratio (ADDIV)	Conversion Time (TCAD)[μs]	
					12-bit AD	8-bit AD
12	4.0 to 5.5	1/1	250	1/8	34.8	21.5
	3.0 to 5.5	1/1	250	1/16	69.5	42.8

Note 6-1: The quantization error (±1/2LSB) must be excluded from the absolute accuracy. The absolute accuracy must be measured in the microcontroller's state in which no I/O operations occur at the pins adjacent to the analog input channel.

Note 6-2: The conversion time refers to the period from the time an instruction for starting a conversion process till the time the conversion results register(s) are loaded with a complete digital conversion value corresponding to the analog input value.

The conversion time is 2 times the normal-time conversion time when:

- The first AD conversion is performed in the 12-bit AD conversion mode after a system reset.
- The first AD conversion is performed after the AD conversion mode is switched from 8-bit to 12-bit conversion mode.

LC87F1M16A

Power-on Reset (POR) Characteristics at Ta = -40°C to +85°C, VSS1 = VSS2 = VSS3 = 0V

Parameter	Symbol	Conditions	Option selected voltage	Specification			
				min	typ	max	unit
POR release voltage	PORRL	Select from option (Note 7-1)	2.57V	2.45	2.57	2.69	V
			2.87V	2.75	2.87	2.99	
			3.86V	3.73	3.86	3.99	
			4.35V	4.21	4.35	4.49	
Detection voltage unknown state	POUKS	See Fig.11 (Note 7-2)			0.7	0.95	
Power supply rise time	PORIS	Power supply rise time from 0V to 1.6V				100	ms

Note 7-1: The POR release level can be selected out of 4 levels only when the LVD reset function is disabled.

Note 7-2: POR is in unknown state before transistor start operation.

Low Voltage Detection Reset (LVD) Characteristics at Ta = -40°C to +85°C, VSS1 = VSS2 = VSS3 = 0V

Parameter	Symbol	Conditions	Option selected voltage	Specification			
				min	typ	max	unit
LVD reset voltage (Note 8-2)	LVDET	Select from option See Fig.12 (Note 8-1) (Note 8-3)	2.81V	2.71	2.81	2.91	V
			3.79V	3.69	3.79	3.89	
			4.28V	4.18	4.28	4.38	
LVD hysteresis width	LVHYS		2.81V		55		mV
			3.79V		60		
			4.28V		60		
Detection voltage unknown state	LVUKS	See Fig.12 (Note 8-4)			0.7	0.95	V
Low voltage detection minimum width (Reply sensitivity).	TLVDW	LVDET-0.5V See Fig.13		0.2			ms

Note 8-1: The LVD reset level can be selected out of 3 levels only when the LVD reset function is enabled.

Note 8-2: LVD reset voltage specification values do not include hysteresis voltage.

Note 8-3: LVD reset voltage may exceed its specification values when port output state changes and and/or when a large current flows through port.

Note 8-4: LVD is in unknown state before transistor start operation.

LC87F1M16A

Consumption Current Characteristics at Ta = -40°C to +85°C, VSS1 = VSS2 = VSS3 = 0V

Parameter	Symbol	Pin/ Remarks	Conditions	Specification				
				V _{DD} [V]	min	typ	max	unit
Normal mode consumption current (Note 9-1) (Note 9-2)	IDDOP(1)	V _{DD1} =V _{DD2} =V _{DD3}	<ul style="list-style-type: none"> FmCF=12MHz ceramic oscillation mode FsX'tal=32.768kHz crystal oscillation mode System clock set to 12MHz side Internal PLL oscillation stopped 	4.5 to 5.5		8.8	16	mA
	IDDOP(2)		<ul style="list-style-type: none"> Internal RC oscillation stopped USB circuit stopped 1/1 frequency division ratio 	3.0 to 3.6		5.1	9.2	
	IDDOP(3)		<ul style="list-style-type: none"> FmCF=12MHz ceramic oscillation mode FsX'tal=32.768kHz crystal oscillation mode System clock set to 12MHz side Internal PLL oscillation mode active 	4.5 to 5.5		13	23	
	IDDOP(4)		<ul style="list-style-type: none"> Internal RC oscillation stopped USB circuit active 1/1 frequency division ratio 	3.0 to 3.6		7.0	13	
	IDDOP(5)		<ul style="list-style-type: none"> FmCF=12MHz ceramic oscillation mode FsX'tal=32.768kHz crystal oscillation mode System clock set to 6MHz side 	4.5 to 5.5		5.6	9.5	
	IDDOP(6)		<ul style="list-style-type: none"> Internal RC oscillation stopped 1/2 frequency division ratio 	3.0 to 3.6		3.6	6.0	
	IDDOP(7)		<ul style="list-style-type: none"> 1/2 frequency division ratio 	2.7 to 3.0		3.0	4.8	
	IDDOP(8)		<ul style="list-style-type: none"> FmCF=0Hz(oscillation stopped) FsX'tal=32.768kHz crystal oscillation mode System clock set to internal RC oscillation 	4.5 to 5.5		0.76	2.8	
	IDDOP(9)		<ul style="list-style-type: none"> 1/2 frequency division ratio 	3.0 to 3.6		0.43	1.5	
	IDDOP(10)		<ul style="list-style-type: none"> 1/2 frequency division ratio 	2.7 to 3.0		0.36	1.2	
	IDDOP(11)		<ul style="list-style-type: none"> FmCF=0Hz(oscillation stopped) FsX'tal=32.768kHz crystal oscillation mode System clock set to crystal oscillation. 	4.5 to 5.5		48	140	
	IDDOP(12)		<ul style="list-style-type: none"> (32.768kHz) Internal RC oscillation stopped 1/2 frequency division ratio 	3.0 to 3.6		18	55	
	IDDOP(13)		<ul style="list-style-type: none"> 1/2 frequency division ratio 	2.7 to 3.0		14	40	
HALT mode consumption current (Note9-1) (Note9-2)	IDDHALT(1)		<ul style="list-style-type: none"> HALT mode FmCF=12MHz ceramic oscillation mode FsX'tal=32.768kHz crystal oscillation mode System clock set to 12MHz side 	4.5 to 5.5		4.3	7.6	mA
	IDDHALT(2)		<ul style="list-style-type: none"> Internal PLL oscillation stopped Internal RC oscillation stopped USB circuit stopped 1/1 frequency division ratio 	3.0 to 3.6		2.2	4.0	
	IDDHALT(3)		<ul style="list-style-type: none"> HALT mode FmCF=12MHz ceramic oscillation mode FsX'tal=32.768kHz crystal oscillation mode System clock set to 12MHz side 	4.5 to 5.5		8.1	15	
	IDDHALT(4)		<ul style="list-style-type: none"> Internal PLL oscillation mode active Internal RC oscillation stopped USB circuit active 1/1 frequency division ratio 	3.0 to 3.6		4.2	7.5	
	IDDHALT(5)		<ul style="list-style-type: none"> HALT mode FmCF=12MHz ceramic oscillation mode FsX'tal=32.768kHz crystal oscillation mode System clock set to 6MHz side 	4.5 to 5.5		2.7	4.8	
	IDDHALT(6)		<ul style="list-style-type: none"> Internal RC oscillation stopped 1/2 frequency division ratio 	3.0 to 3.6		1.3	2.4	
	IDDHALT(7)		<ul style="list-style-type: none"> 1/2 frequency division ratio 	2.7 to 3.0		1.1	1.8	
	IDDHALT(8)		<ul style="list-style-type: none"> HALT mode FmCF=0Hz(oscillation stopped) FsX'tal=32.768kHz crystal oscillation mode System clock set to internal RC oscillation. 	4.5 to 5.5		0.48	1.9	
	IDDHALT(9)		<ul style="list-style-type: none"> 1/2 frequency division ratio 	3.0 to 3.6		0.22	0.81	
	IDDHALT(10)		<ul style="list-style-type: none"> 1/2 frequency division ratio 	2.7 to 3.0		0.17	0.57	

Note 9-1: The consumption current value includes none of the currents that flow into the output transistors and internal pull-up resistors.

Note9-2: Unless otherwise specified, the consumption current for the LVD circuits is not included.

Continued on next page.

LC87F1M16A

Continued from preceding page.

Parameter	Symbol	Pin/ Remarks	Conditions	Specification				
				V _{DD} [V]	min	typ	max	unit
HALT mode consumption current (Note 9-1) (Note 9-2)	IDDHALT(11)	V _{DD1} =V _{DD2} =V _{DD3}	<ul style="list-style-type: none"> • HALT mode • FmCF=0MHz (oscillation stopped) • FsX'tal=32.768kHz crystal oscillation mode (32.768kHz) • System clock set to crystal oscillation. • Internal RC oscillation stopped • 1/2 frequency division ratio 	4.5 to 5.5		35	120	μA
	IDDHALT(12)			3.0 to 3.6		9.5	39	
	IDDHALT(13)			2.7 to 3.0		6.4	27	
HOLD mode consumption current (Note 9-1) (Note 9-2)	IDDHOLD(1)	V _{DD1}	<ul style="list-style-type: none"> • HOLD mode • CF1=V_{DD} or open (External clock mode) 	4.5 to 5.5		0.08	24	
	IDDHOLD(2)			3.0 to 3.6		0.03	11	
	IDDHOLD(3)			2.7 to 3.0		0.02	9.6	
	IDDHOLD(4)		<ul style="list-style-type: none"> • HOLD mode • LVD option selected • CF1=V_{DD} or open (External clock mode) 	4.5 to 5.5		2.9	29	
	IDDHOLD(5)			3.0 to 3.6		2.2	15	
	IDDHOLD(6)			2.7 to 3.0		2.1	12	
	IDDHOLD(7)			4.5 to 5.5		2.9	32	
	IDDHOLD(8)			3.0 to 3.6		1.4	16	
IDDHOLD(9)	2.7 to 3.0		1.2	14				
Timer HOLD mode consumption current (Note 9-1) (Note 9-2)	IDDHOLD(10)		<ul style="list-style-type: none"> • Timer HOLD mode • CF1=V_{DD} or open (External clock mode) • FsX'tal=32.768kHz crystal oscillation mode 	4.5 to 5.5		31	110	
	IDDHOLD(11)			3.0 to 3.6		7.0	34	
	IDDHOLD(12)			2.7 to 3.0		4.3	22	

Note 9-1: The consumption current value includes none of the currents that flow into the output transistors and internal pull-up resistors.

Note9-2: Unless otherwise specified, the consumption current for the LVD circuits is not included.

USB Characteristics and Timing at Ta = -40°C to +85°C, V_{SS1} = V_{SS2} = V_{SS3} = 0V

Parameter	Symbol	Conditions	Specification			
			min	typ	max	unit
High level output	V _{OH} (USB)	• 15kΩ±5% to GND	2.8		3.6	V
Low level output	V _{OL} (USB)	• 1.5kΩ±5% to 3.6V	0.0		0.3	V
Output signal crossover voltage	V _{CRS}		1.3		2.0	V
Differential input sensitivity	V _{DI}	• (D+)-(D-)	0.2			V
Differential input common mode range	V _{CM}		0.8		2.5	V
High level input	V _{IH} (USB)		2.0			V
Low level input	V _{IL} (USB)				0.8	V
USB data rise time	t _R	• R _S =27 to 33Ω, C _L =50pF • V _{DD3} =3.0 to 3.6V	4		20	ns
USB data fall time	t _F	• R _S =27 to 33Ω, C _L =50pF • V _{DD3} =3.0 to 3.6V	4		20	ns

F-ROM Programming Characteristics at Ta = +10°C to +55°C, V_{SS1} = 0V

Parameter	Symbol	Pin/ Remarks	Conditions	Specification				
				V _{DD} [V]	min	typ	max	unit
Onboard programming current	IDDFW(1)	V _{DD1}	• Excluding power dissipation in the microcontroller block	3.0 to 5.5		5	10	mA
Programming time	tFW(1)		• Erase operation	3.0 to 5.5		20	30	ms
	tFW(2)		• Write operation			40	60	μs

Characteristics of a Sample Main System Clock Oscillation Circuit

Given below are the characteristics of a sample main system clock oscillation circuit that are measured using a Our designated oscillation characteristics evaluation board and external components with circuit constant values with which the oscillator vendor confirmed normal and stable oscillation.

Table 1 Characteristics of a Sample Main System Clock Oscillator Circuit with a Ceramic Oscillator
at Ta = -40°C to +85°C

Nominal Frequency	Vendor Name	Oscillator Name	Circuit Constant			Operating Voltage Range [V]	Oscillation Stabilization Time		Remarks
			C1 [pF]	C2 [pF]	Rd1 [Ω]		typ [ms]	max [ms]	
12MHz	MURATA	CSTCE12M0GH5L**-R0	(33)	(33)	470	3.0 to 5.5	0.1	0.5	C1 and C2 integrated SMD type

The oscillation stabilization time refers to the time interval that is required for the oscillation to get stabilized in the following cases (see Figure 4):

- Till the oscillation gets stabilized after V_{DD} goes above the operating voltage lower limit.
- Till the oscillation gets stabilized after the instruction for starting the main clock oscillation circuit is executed.
- Till the oscillation gets stabilized after the HOLD mode is reset.
- Till the oscillation gets stabilized after the X'tal HOLD mode is reset with CFSTOP (OCR register, bit 0) set to 0.

Characteristics of a Sample Subsystem Clock Oscillator Circuit

Given below are the characteristics of a sample subsystem clock oscillation circuit that are measured using a Our designated oscillation characteristics evaluation board and external components with circuit constant values with which the oscillator vendor confirmed normal and stable oscillation.

Table 2 Characteristics of a Sample Subsystem Clock Oscillator Circuit with a Crystal Oscillator

Nominal Frequency	Vendor Name	Oscillator Name	Circuit Constant				Operating Voltage Range [V]	Oscillation Stabilization Time		Remarks
			C3 [pF]	C4 [pF]	Rf [Ω]	Rd2 [Ω]		typ [s]	max [s]	
32.768kHz	EPSON TOYOCOM	MC-306	18	18	OPEN	680k	2.7 to 5.5	1.1	3.0	Applicable CL value=12.5pF SMD type

The oscillation stabilization time refers to the time interval that is required for the oscillation to get stabilized in the following cases (see Figure 4):

- Till the oscillation gets stabilized after the instruction for starting the subclock oscillation circuit is executed.
- Till the oscillation gets stabilized after the HOLD mode is reset with EXTOSC (OCR register, bit 6) set to 1.

Note: The components that are involved in oscillation should be placed as close to the IC and to one another as possible because they are vulnerable to the influences of the circuit pattern.

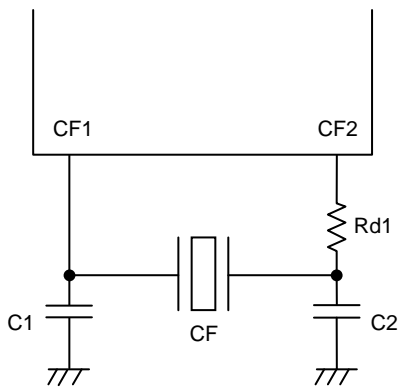


Figure 1 CF Oscillator Circuit

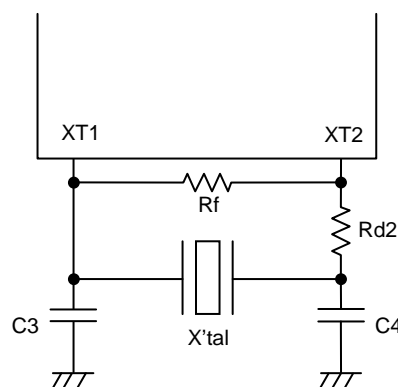


Figure 2 Crystal Oscillator Circuit

LC87F1M16A

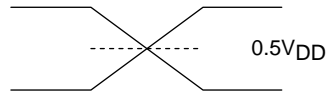
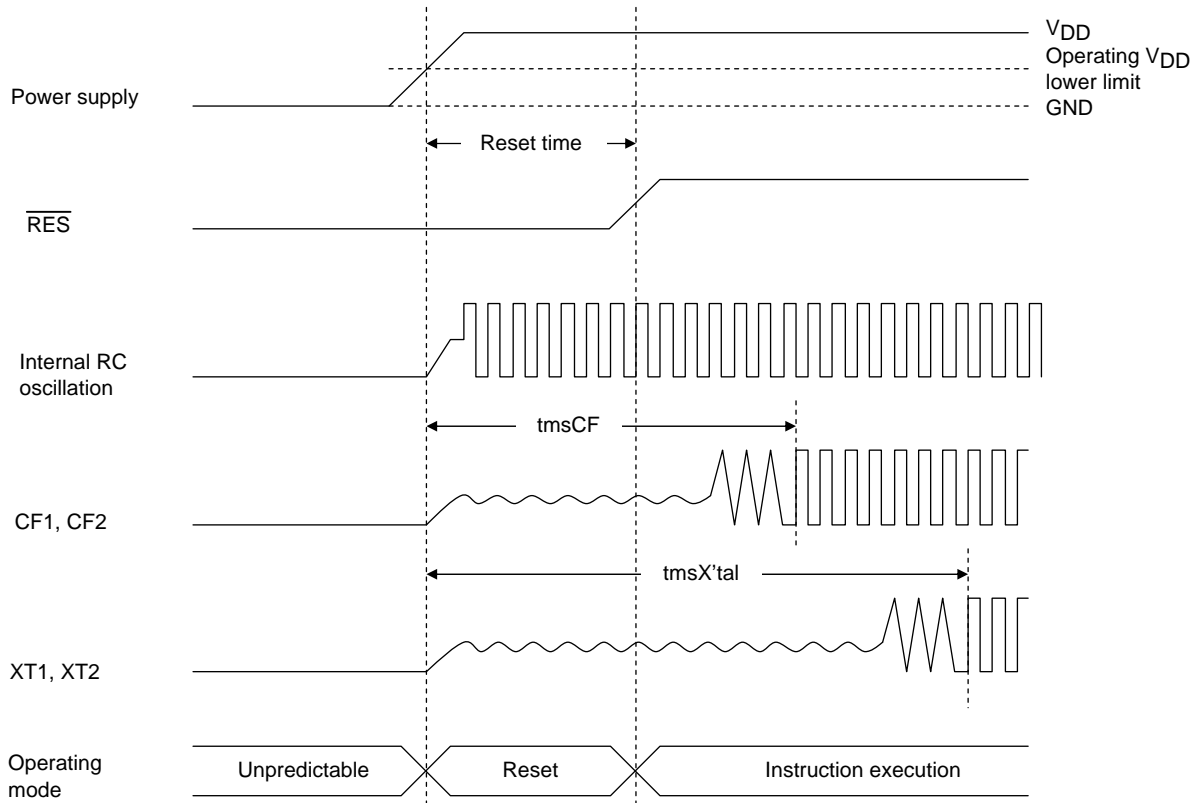
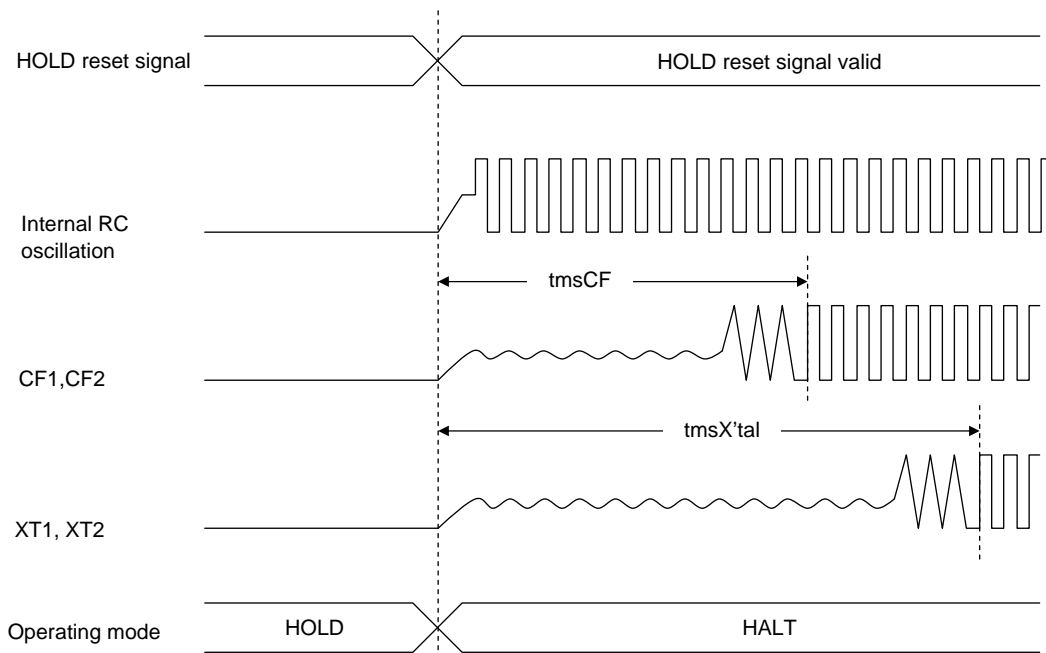


Figure 3 AC Timing Measurement Point

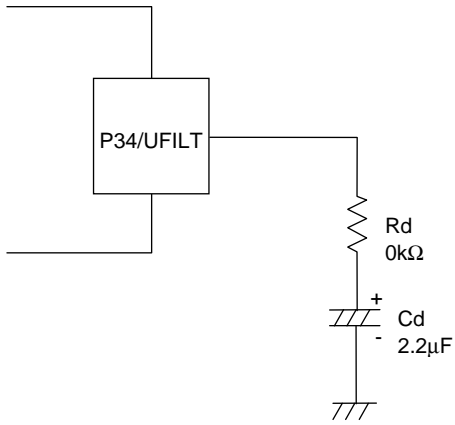


Reset Time and Oscillation Stabilization Time



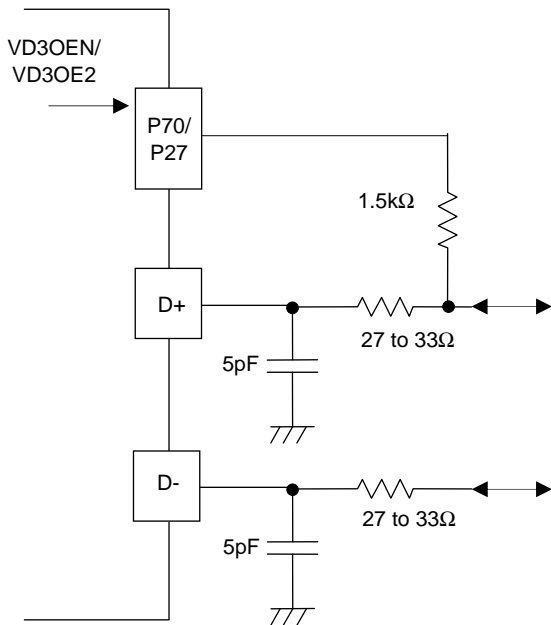
HOLD Reset Signal and Oscillation Stabilization Time

Figure 4 Oscillation Stabilization Time



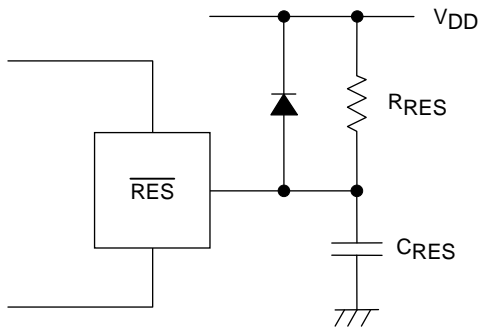
When using the internal PLL circuit to generate the-48MHz clock for USB, it is necessary to connect a filter circuit such as that shown to the left to the P34/UFILT pin.
After PLL settings, 20ms or more is required to stabilize.

Figure 5 External Filter Circuit for the Internal USB-dedicated PLL Circuit



Note:
It's necessary to adjust the Circuit Constant of the USB Port Peripheral Circuit each mounting board. Make the D+ Pull-up resistors available to control on/off according to the Vbus.

Figure 6 USB Port Peripheral Circuit



Note:
The external circuit for reset may vary depending on the usage of POR and LVD. See "Reset Function" in the user's manual.

Figure 7 Sample Reset Circuit

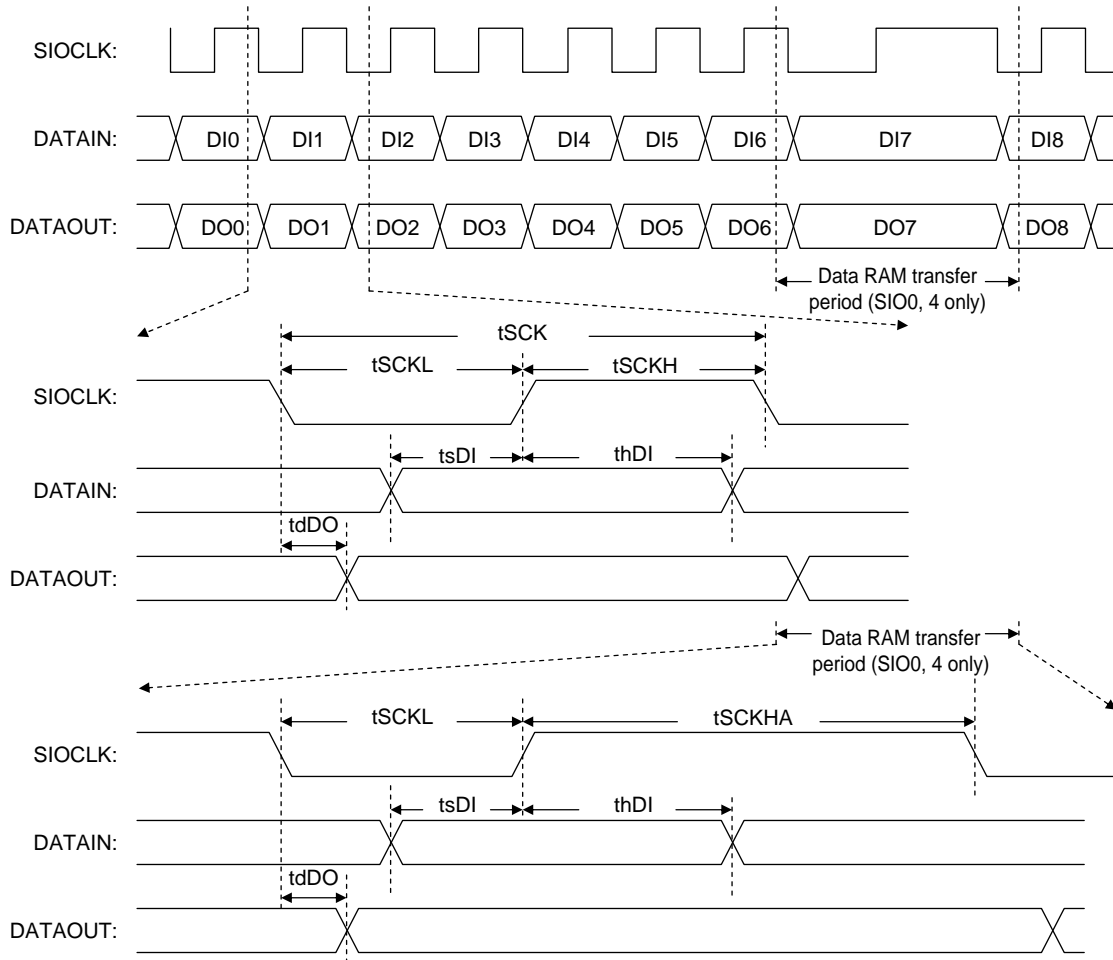


Figure 8 Serial Input/Output Waveform

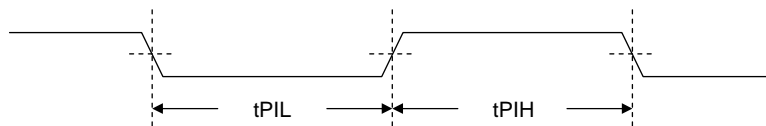


Figure 9 Pulse Input Timing Signal Waveform

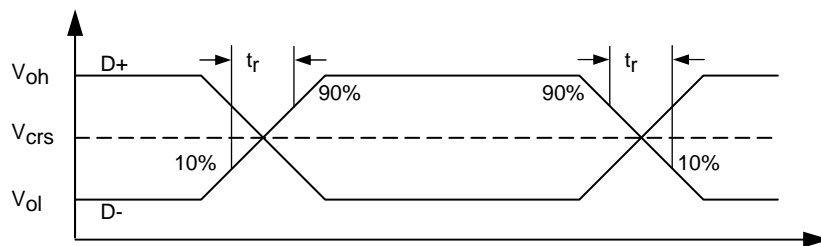


Figure 10 USB Data Signal Timing and Voltage Level

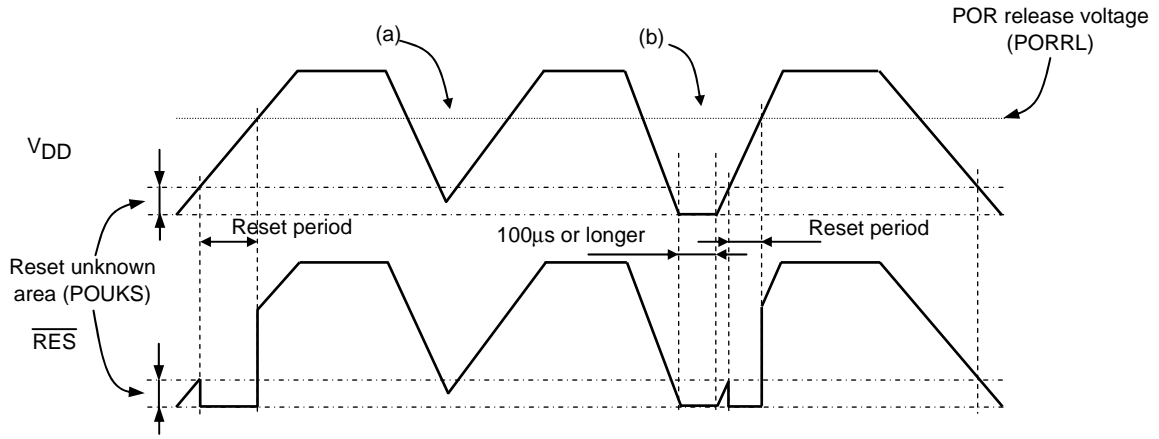


Figure 11 Example of POR Only (LVD Deselected) Mode Waveforms (at Reset Pin with R_{RES} Pull-up Resistor Only)

- The POR function generates a reset only when the power voltage goes up from the V_{SS} level.
- No stable reset will be generated if power is turned on again when the power level does not go down to the V_{SS} level as shown in (a). If such a case is anticipated, use the LVD function together with the POR function as shown below or implement an external reset circuit.
- A reset is generated only when the power level goes down to the V_{SS} level as shown in (b) and power is turned on again after this condition continues for 100µs or longer.

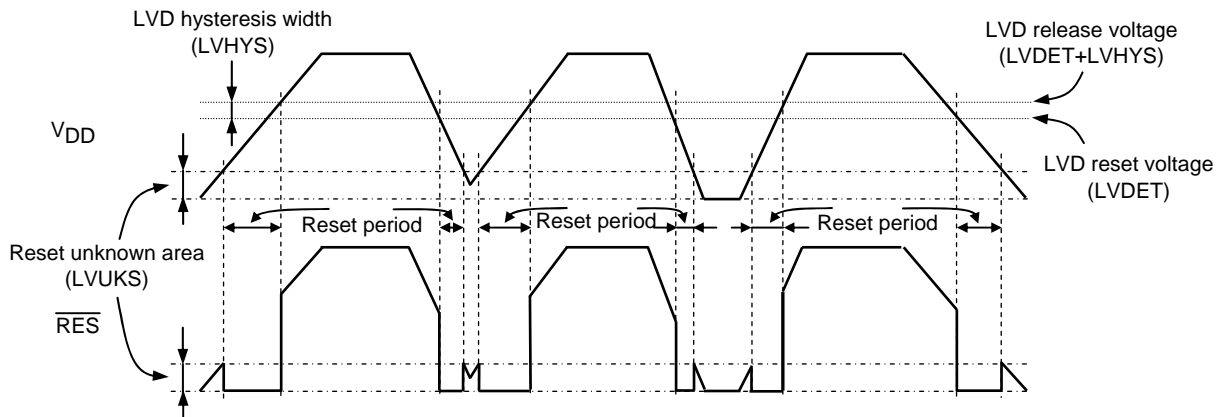


Figure 12 Example of POR + LVD Mode Waveforms (at Reset Pin with R_{RES} Pull-up Resistor Only)

- Reset are generated both when power is turned on and when the power level lowers.
- A hysteresis width (LVHYS) is provided to prevent the repetitions of reset release and entry cycles near the detection level.

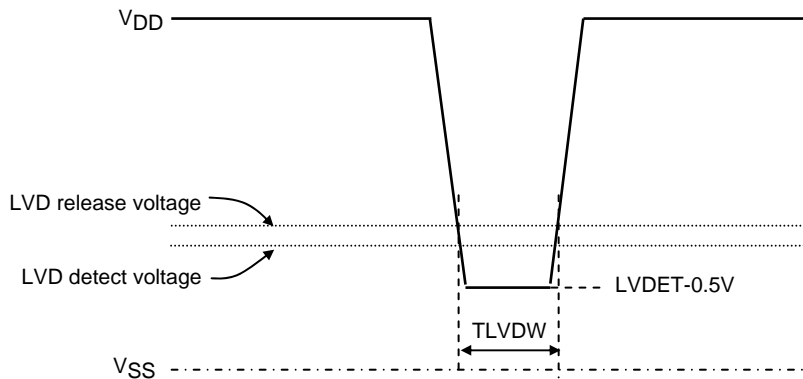


Figure 13 Minimum Low Voltage Detection Width (Example of Voltage Sag/Fluctuation Waveform)

ON Semiconductor and the ON logo are registered trademarks of Semiconductor Components Industries, LLC (SCILLC). SCILLC owns the rights to a number of patents, trademarks, copyrights, trade secrets, and other intellectual property. A listing of SCILLC's product/patent coverage may be accessed at www.onsemi.com/site/pdf/Patent-Marking.pdf. SCILLC reserves the right to make changes without further notice to any products herein. SCILLC makes no warranty, representation or guarantee regarding the suitability of its products for any particular purpose, nor does SCILLC assume any liability arising out of the application or use of any product or circuit, and specifically disclaims any and all liability, including without limitation special, consequential or incidental damages. "Typical" parameters which may be provided in SCILLC data sheets and/or specifications can and do vary in different applications and actual performance may vary over time. All operating parameters, including "Typicals" must be validated for each customer application by customer's technical experts. SCILLC does not convey any license under its patent rights nor the rights of others. SCILLC products are not designed, intended, or authorized for use as components in systems intended for surgical implant into the body, or other applications intended to support or sustain life, or for any other application in which the failure of the SCILLC product could create a situation where personal injury or death may occur. Should Buyer purchase or use SCILLC products for any such unintended or unauthorized application, Buyer shall indemnify and hold SCILLC and its officers, employees, subsidiaries, affiliates, and distributors harmless against all claims, costs, damages, and expenses, and reasonable attorney fees arising out of, directly or indirectly, any claim of personal injury or death associated with such unintended or unauthorized use, even if such claim alleges that SCILLC was negligent regarding the design or manufacture of the part. SCILLC is an Equal Opportunity/Affirmative Action Employer. This literature is subject to all applicable copyright laws and is not for resale in any manner.