



LC87F17C8A

CMOS LSI

8-bit Microcontroller with USB Full-Speed Host/Device Controller 128K-byte Flash ROM / 8192-byte RAM / 48-pin

ON Semiconductor®

www.onsemi.com

Feature

- USB 2.0 Full Speed Host/Device Controller × 2 ports
- Digital Audio Interface
- Infrared Remote Control Receiver
- 12-bit ADC × 12 channels
- USB Voltage Regulator Integrated
- Power-ON Reset/Low-Voltage Detect Reset

Function Descriptions

1) Ports

- I/O ports 31
- USB ports 4 (UAD+, UAD-, UBD+, UBD-)
- Power supply pins 6 (VSS1 to 3, VDD1 to 3)

2) Timers × 7 channels

- Timer 0 : 16-bit timer/counter with 2 capture registers.
- Timer 1 : 16-bit timer/counter that supports PWM/toggle output
- Timer 4 : 8-bit timer with a 6-bit prescaler
- Timer 5 : 8-bit timer with a 6-bit prescaler
- Timer 6 : 8-bit timer with a 6-bit prescaler (with toggle outputs)
- Timer 7 : 8-bit timer with a 6-bit prescaler (with toggle outputs)
- Base timer for Watch (32.768kHz crystal oscillation)

3) SIO × 5 channels

- SIO0 : Synchronous serial interface
Automatic continuous data transmission
- SIO1 : 8-bit asynchronous/synchronous serial interface
- SIO4 : CRC16 calculator circuit built in
- SMIIC0 : Single-master I²C/8-bit synchronous SIO
- SMIIC1 : Single-master I²C/8-bit synchronous SIO

4) Full Duplex UART

- SCUART2 : 8-level receive FIFO buffer

5) PWM: Variable frequency 12-bit PWM × 2 channels

6) USB Controller

- Host : Supports Full-Speed and Low-Speed
- Device : Supports up to 9 endpoints. Full-Speed.

7) Digital Audio Interface

- fs : 8kHz/11.025kHz/12kHz/16kHz/22.05kHz/24kHz/32kHz/44.1kHz/48kHz/96kHz
- Left justified/right justified/ I²S format selectable

8) Infrared Remote Controller Receiver

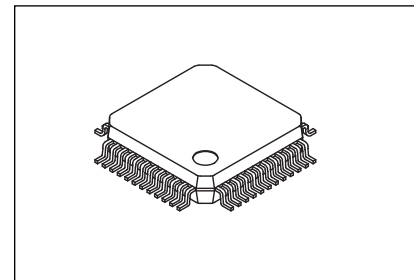
- Supports data encoding systems such as PPM and Manchester encoding.

Application

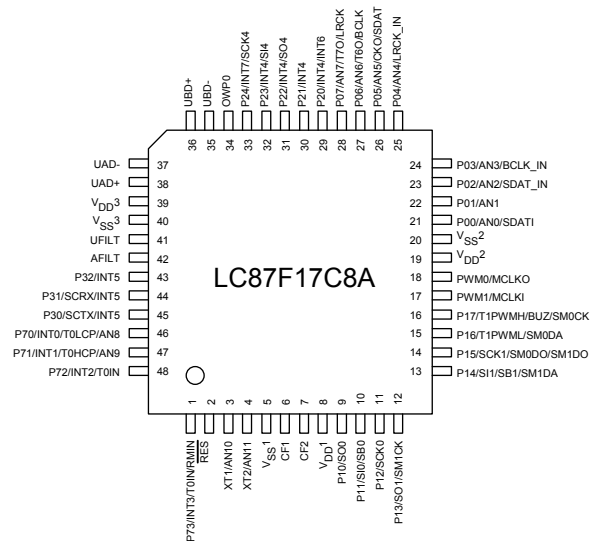
- iPod/iPhone Docking Station

* iPod and iPhone are trademarks of Apple Inc., registered in the U.S. and other countries.

* This product is licensed from Silicon Storage Technology, Inc. (USA).



SQFP48(7X7)



Pin Assignment
(Top view)

ORDERING INFORMATION

See detailed ordering and shipping information on page 36 of this data sheet.

■ Ports

- I/O ports 31 (P00 to P07, P10 to P17, P20 to P24, P30 to P32, P70 to P73, PWM0, PWM1, XT2)
- USB ports 4 (UAD+, UAD-, UBD+, UBD-)
- Dedicated oscillator ports 2 (CF1, CF2)
- Input-only port (also used for the oscillator) 1 (XT1)
- PLL filter pins 2 (UFILT, AFILT)
- Reset pin 1 (RES)
- Debugger-dedicated pin 1 (OWP0)
- Power supply pins 6 (VSS1 to 3, VDD1 to 3)

■ Timers

- Timer 0 : 16-bit timer/counter with 2 capture registers
 - Mode 0 : 8-bit timer with an 8-bit programmable prescaler (with two 8-bit capture registers) × 2 channels
 - Mode 1 : 8-bit timer with an 8-bit programmable prescaler (with two 8-bit capture registers) + 8-bit counter (with two 8-bit capture registers)
 - Mode 2 : 16-bit timer with an 8-bit programmable prescaler (with two 16-bit capture registers)
 - Mode 3 : 16-bit counter (with two 16-bit capture registers)
- Timer 1 : 16-bit timer/counter that supports PWM/toggle output
 - Mode 0 : 8-bit timer with an 8-bit prescaler (with toggle output) + 8-bit timer/counter with an 8-bit prescaler (with toggle output)
 - Mode 1 : 8-bit PWM with an 8-bit prescaler × 2 channels
 - Mode 2 : 16-bit timer/counter with an 8-bit prescaler (with toggle output)
(Toggle output also possible from low-order 8 bits.)
 - Mode 3 : 16-bit timer with an 8-bit prescaler (with toggle output)
(Low-order 8 bits can be used as a PWM output.)
- Timer 4 : 8-bit timer with a 6-bit prescaler
- Timer 5 : 8-bit timer with a 6-bit prescaler
- Timer 6 : 8-bit timer with a 6-bit prescaler (with toggle output)
- Timer 7 : 8-bit timer with a 6-bit prescaler (with toggle output)
- Base timer
 - <1> The clock can be selected from among a subclock (32.768 kHz crystal oscillator), low-speed RC oscillator clock, system clock, and timer 0 prescaler output.
 - <2> Interrupts programmable in 5 different time schemes.

■ Serial Interfaces

- SIO0 : Synchronous serial interface
 - <1> LSB first/MSB first selectable
 - <2> Transfer clock cycle : 4/3 to 512/3 tCYC
 - <3> Continuous automatic data transmission (1 to 256 bits can be specified in 1-bit units)
(Suspension and resumption of data transfer possible in 1-byte units)
- SIO1 : 8-bit asynchronous/synchronous serial interface
 - Mode 0 : Synchronous 8-bit serial I/O (2- or 3-wire configuration, 2 to 512 tCYC transfer clock)
 - Mode 1 : Asynchronous serial I/O (half-duplex, 8 data bits, 1 stop bit, 8 to 2048 tCYC baudrate)
 - Mode 2 : Bus mode 1 (start bit, 8 data bits, 2 to 512 tCYC transfer clock)
 - Mode 3 : Bus mode 2 (start detection, 8 data bits, stop detection)
- SIO4 : Synchronous serial interface
 - <1> LSB first/MSB first selectable
 - <2> Transfer clock cycle : 4/3 to 1020/3 tCYC
 - <3> Continuous automatic data transmission (1 to 8192 bytes can be specified in 1-byte units)
(Suspension and resumption of data transmission possible in 1-byte units or in word units)
 - <4> Clock polarity can be selected.
 - <5> CRC16 calculator circuit built-in
- SMIIC0 : Single-master I²C/8-bit synchronous SIO
 - Mode 0 : Communication in single-master mode.
 - Mode 1 : 8-bit synchronous serial I/O (data MSB first)

- SMIIC1 : Single-master I²C/8-bit synchronous SIO
 - Mode 0 : Communication in single-master mode.
 - Mode 1 : 8-bit synchronous serial I/O (data MSB first)

■ Full Duplex UART

- SCUART2
 - <1> Data length : 7/8 bits selectable
 - <2> Stop bits : 1/2 bits selectable
 - <3> Parity bits : None/even parity/odd parity selectable
 - <4> Baudrate : 8/3 to 8192/3 tCYC
 - <5> LSB first/MSB first mode selectable
 - <6> Capable of Smart card interface
 - <7> 8-level receive FIFO buffer

■ 16-bit Cyclic Redundancy Check (CRC) Calculator

- <1> User-programmable CRC polynomial equation
- <2> 1 to 256 bytes can be specified
- <3> LSB first/MSB first selectable

■ AD Converter: 12 bits × 12 channels

■ PWM: Variable frequency 12-bit PWM × 2 channels

■ Infrared Remote Control Receiver Circuit

- <1> Noise rejection function (noise filter time constant: Approx. 120μs when the 32.768 kHz crystal oscillator is selected as the reference clock)
- <2> Supports data encoding systems such as PPM (Pulse Position Modulation) and Manchester encoding.
- <3> X'tal HOLD mode release function

■ USB Interface

- Host Controller × 2 ports
 - <1> Supports Full-Speed (12 Mbps) and Low-Speed (1.5 Mbps) operation.
 - <2> Supports four transfer types (control transfer, bulk transfer, interrupt transfer, and isochronous transfer).
- Device Controller
 - <1> Supports Full-Speed operation.
 - <2> Supports up to 9 endpoints

Endpoint		EP0	EP1	EP2	EP3	EP4	EP5	EP6	EP7	EP8
Transfer Type	Control	○	-	-	-	-	-	-	-	-
	Bulk	-	○	○	○	○	○	○	○	○
	Interrupt	-	○	○	○	○	○	○	○	○
	Isochronous	-	○	○	○	○	○	○	○	○
Max. payload		64	64	64	64	64	64	64	1023	1023

■ Audio Interface

- <1> Sampling frequencies (fs) : 8 kHz/11.025 kHz/12 kHz/16 kHz/22.05 kHz/24 kHz/32 kHz/44.1 kHz/48 kHz/96kHz
- <2> Master clock : 256 fs/384 fs
- <3> Bit clock : 48 fs/64 fs
- <4> Data bit length : 16 bits/18 bits/20 bits/24 bits
- <5> LSB first/MSB first selectable.
- <6> Left justified/right justified/I²S format selectable

■ Watchdog Timer

- Internal counter watchdog timer
 - <1> Capable of generating an internal reset on an overflow of the timer running on the low-speed RC oscillator clock, or subclock.
 - <2> Operation in HALT/HOLD mode can be selected from among “continue count operation,” “suspend operation,” and “retain the count value.”

■ Clock Output Function

- <1> Can output a clock with a clock rate of 1/1, 1/2, 1/4, 1/8, 1/16, 1/32, or 1/64 of the source oscillator clock selected as the system clock.
- <2> Can output the source oscillator clock for the subclock.

■ Interrupts

- 49 sources, 10 vectors
 - <1> Provides three levels (low (L), high (H), and highest (X)) of multiplex interrupt control. Any interrupt request of the level equal to or lower than the current interrupt level is not accepted.
 - <2> When interrupt requests to two or more vector addresses occur at the same time, the interrupt of the highest level takes precedence over the other interrupts. For interrupts of the same level, the interrupt into the lowest vector address is given priority.

No.	Vector	Level	Interrupt Source
1	00003H	X or L	INT0
2	0000BH	X or L	INT1
3	00013H	H or L	INT2/T0L/INT4/UHC-A bus active/UHC-B bus active/USB bus active/remote control receive
4	0001BH	H or L	INT3/INT5/base timer/AIF asynchronous counter
5	00023H	H or L	T0H/INT6/UHC-A device connected, disconnected, resumed/SMIIC1
6	0002BH	H or L	T1L/T1H/INT7/AIF start/SMIIC0/UHC-B device connected, disconnected, resumed/ AIF FIFO empty
7	00033H	H or L	SIO0/USB bus reset/USB suspend/SCUART2 receive completed/SCUART2 receive FIFO full
8	0003BH	H or L	SIO1/SIO4/USB endpoint/USB-SOF/ SCUART2 buffer empty/SCUART2 transmission completed/AIF end
9	00043H	H or L	ADC/T6/T7/UHC-ACK/UHC-NAK/UHC error/UHC-STALL
10	0004BH	H or L	Port 0/PWM0/PWM1/T4/T5/UHC-SOF/CRC

- Priority levels X > H > L
- When interrupts of the same level occur at the same time, the interrupt with the lowest vector address is given priority.

■ Subroutine Stack Levels : Up to 4096 levels (The stack is allocated in RAM.)

■ High-speed Multiplication/Division Instructions

- 16 bits × 8 bits (5 tCYC execution time)
- 24 bits × 16 bits (12 tCYC execution time)
- 16 bits ÷ 8 bits (8 tCYC execution time)
- 24 bits ÷ 16 bits (12 tCYC execution time)

■ Oscillator Circuit and PLL

- Medium-speed RC oscillator circuit (internal): For system clock (approx. 1 MHz)
- Low-speed RC oscillator circuit (internal) : For system clock, timer, and watchdog timer (approx. 30 kHz)
- CF oscillator circuit : For system clock
- Crystal oscillator circuit : For system clock and time-of-day clock
- PLL circuit (internal) : For USB interface (see Fig. 5) and audio interface (see Fig. 6)

■ Internal Reset Functions

- Power-on reset (POR) function
 - <1> POR is activated at power-on.
 - <2> POR release voltage can be selected from 8 levels (1.67V, 1.97V, 2.07V, 2.37V, 2.57V, 2.87V, 3.86V, and 4.35V) by setting options.
- Low voltage detection reset (LVD) function
 - <1> LVD and POR functions are combined to generate resets when power is turned on and when power voltage falls below a threshold level.
 - <2> The use/disuse of the LVD function and the low voltage threshold level (7 levels: 1.91V, 2.01V, 2.31V, 2.51V, 2.81V, 3.79V, and 4.28V) can be selected by setting options.

■ Standby Function

- HALT mode : Halts instruction execution while allowing the peripheral circuits to continue operation.
 - (1) Oscillators do not stop automatically.
 - (2) There are three ways of releasing HOLD mode.
 - <1> Setting the reset pin to a low level.
 - <2> Generating a reset signal by watchdog timer or low-voltage detection
 - <3> Occurrence of an interrupt
- HOLD mode : Suspends instruction execution and operation of the peripheral circuits.
 - (1) The PLL, CF, RC and crystal oscillators automatically stop operation.
 Note : Low-speed RC oscillator is controlled directly by the watchdog timer and its oscillation in standby mode is also controlled.
 - (2) There are five ways of releasing HOLD mode.
 - <1> Setting the reset pin to a low level
 - <2> Generating a reset signal by the watchdog timer or low-voltage detection
 - <3> Establishing an interrupt source at one of INT0, INT1, INT2, INT4, and INT5 pins
 * INT0 and INT1 HOLD mode release is available only when level detection is configured.
 - <4> Establishing an interrupt source at port 0
 - <5> Establishing an bus active interrupt source in the USB host control circuit
- X'tal HOLD mode : Suspends instruction execution and the operation of the peripheral circuits except the base timer and infrared remote control receiver circuit.
 - (1) The PLL, CF and RC oscillators automatically stop operation.
 Note : Low-speed RC oscillator is controlled directly by the watchdog timer and its oscillation in standby mode is also controlled.
 Note : The low-speed RC oscillator retains the state that is established on entry into X'tal HOLD mode if the base timer is running with the low-speed RC oscillator selected as the base timer input clock source.
 - (2) The state of crystal oscillator established when the X'tal HOLD mode is entered is retained.
 - (3) There are seven ways of releasing X'tal HOLD mode.
 - <1> Setting the reset pin to a low level
 - <2> Generating a reset signal by the watchdog timer or low-voltage detection
 - <3> Establishing an interrupt source at one of INT0, INT1, INT2, INT4, and INT5 pins
 * INT0 and INT1 X'tal HOLD mode release is available only when level detection is configured.
 - <4> Establishing an interrupt source at port 0
 - <5> Establishing an interrupt source in the base timer circuit
 - <6> Establishing an interrupt source in the infrared remote control receiver circuit
 - <7> Establishing an bus active interrupt source in the USB host control circuit

■ Package Form

- SQFP48(7×7) Pb-Free and Halogen Free product

■ Development Tools

- On-chip debugger : TCB87-Type C (1-wire communication cable) + LC87F17C8A

■ Flash ROM Programming Board

Package	Programming Board
SQFP48 (7×7)	W87F55256SQ

LC87F17C8A

■ Flash ROM Programmer

Maker		Model	Supported Version	Device
Flash Support Group Company (FSG)	Single	AF9709C	Rev. 03.28 or later	87F128JU
Flash Support Group Company (FSG) + Our company (Note 1)	Onboard single/ganged	AF9101/AF9103 (main unit) (FSG model) SIB87 Type C (interface driver) (Our company model)	(Note 2)	LC87F17C8A
Our company	Single/ganged	SKK/SKK Type C (SanyoFWS)	Application version 1.08 and later Chip data version 2.47 and later	LC87F17C8
	Onboard single/ganged	SKK-DBG Type C (SanyoFWS)		

(Further information on the AF series)

Flash Support Group Company (TOA ELECTRONICS, Inc.)

Phone: 053-459-1050

E-mail: sales@j- fsg.co.jp

Note 1 : PC-less standalone onboard programming is possible using the FSG onboard programmer

(AF9101/AF9103) and the serial interface driver (SIB87 Type C) provided by our company in pair.

Note 2 : Dedicated programming device and program are required depending on the programming conditions.

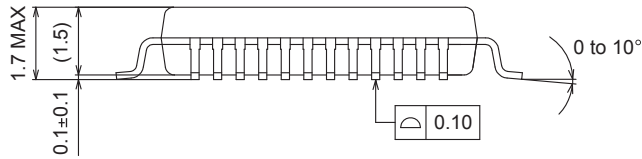
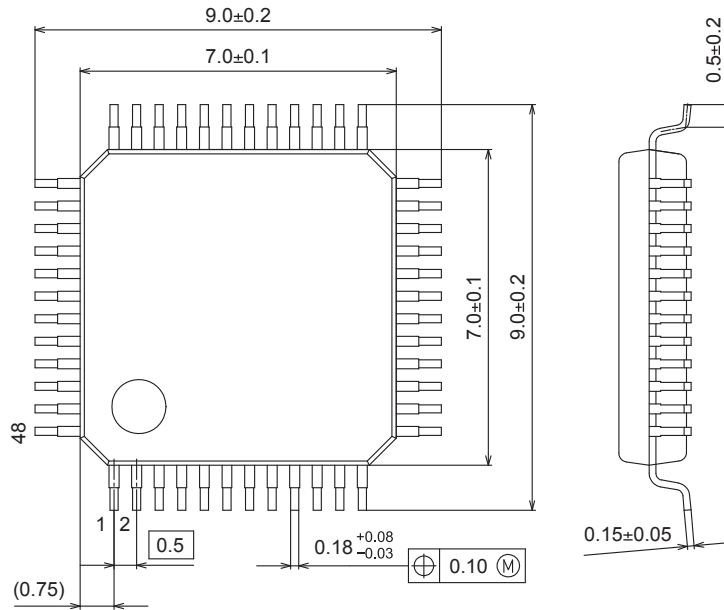
Contact our company or FSG if you have any questions or difficulties regarding this matter.

LC87F17C8A

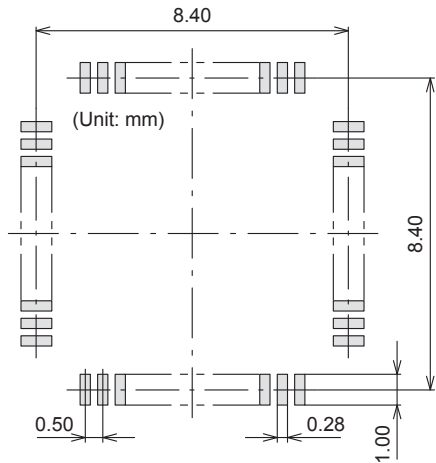
Package Dimensions

unit : mm

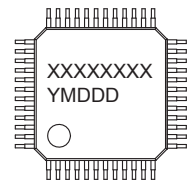
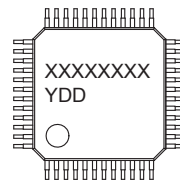
SPQFP48 7x7 / SQFP48
CASE 131AJ
ISSUE A



SOLDERING FOOTPRINT*



GENERIC MARKING DIAGRAM*



XXXXX = Specific Device Code
Y = Year
DD = Additional Traceability Data

XXXXX = Specific Device Code
Y = Year
M = Month
DDD = Additional Traceability Data

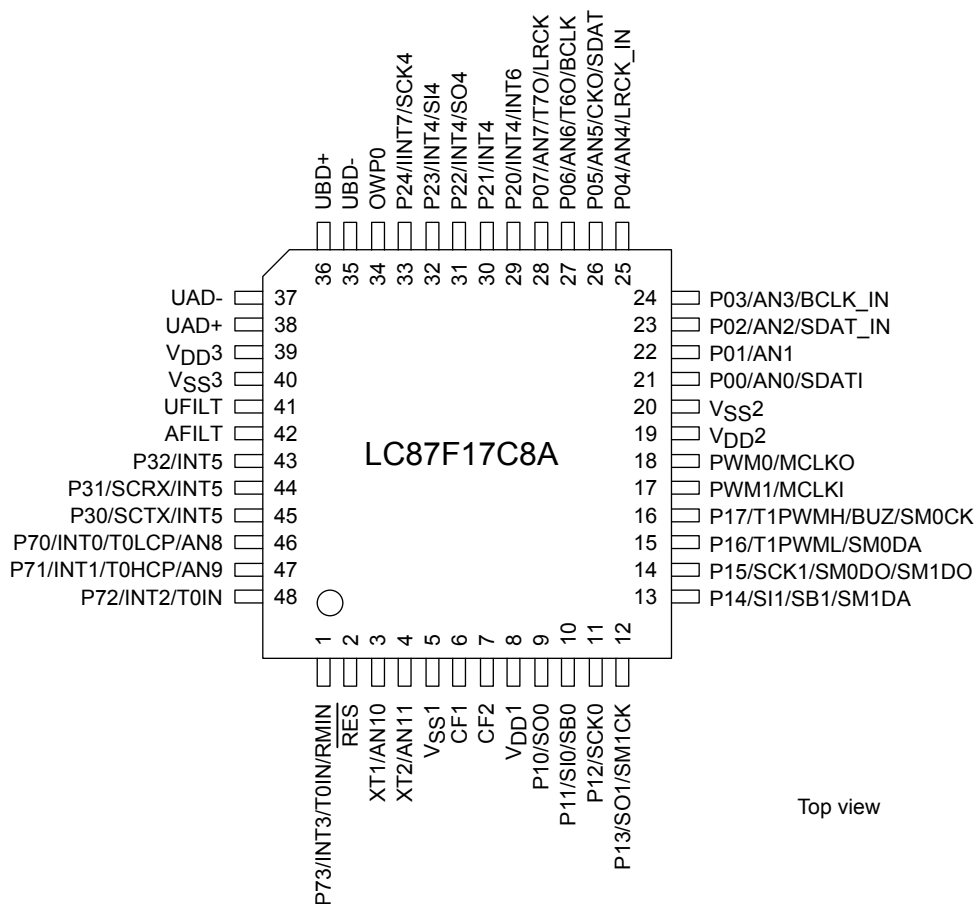
*This information is generic. Please refer to device data sheet for actual part marking. Pb-Free indicator, "G" or microdot "▪", may or may not be present.

NOTE: The measurements are not to guarantee but for reference only.

*For additional information on our Pb-Free strategy and soldering details, please download the ON Semiconductor Soldering and Mounting Techniques Reference Manual, SOLDERRM/D.

LC87F17C8A

Pin Assignment

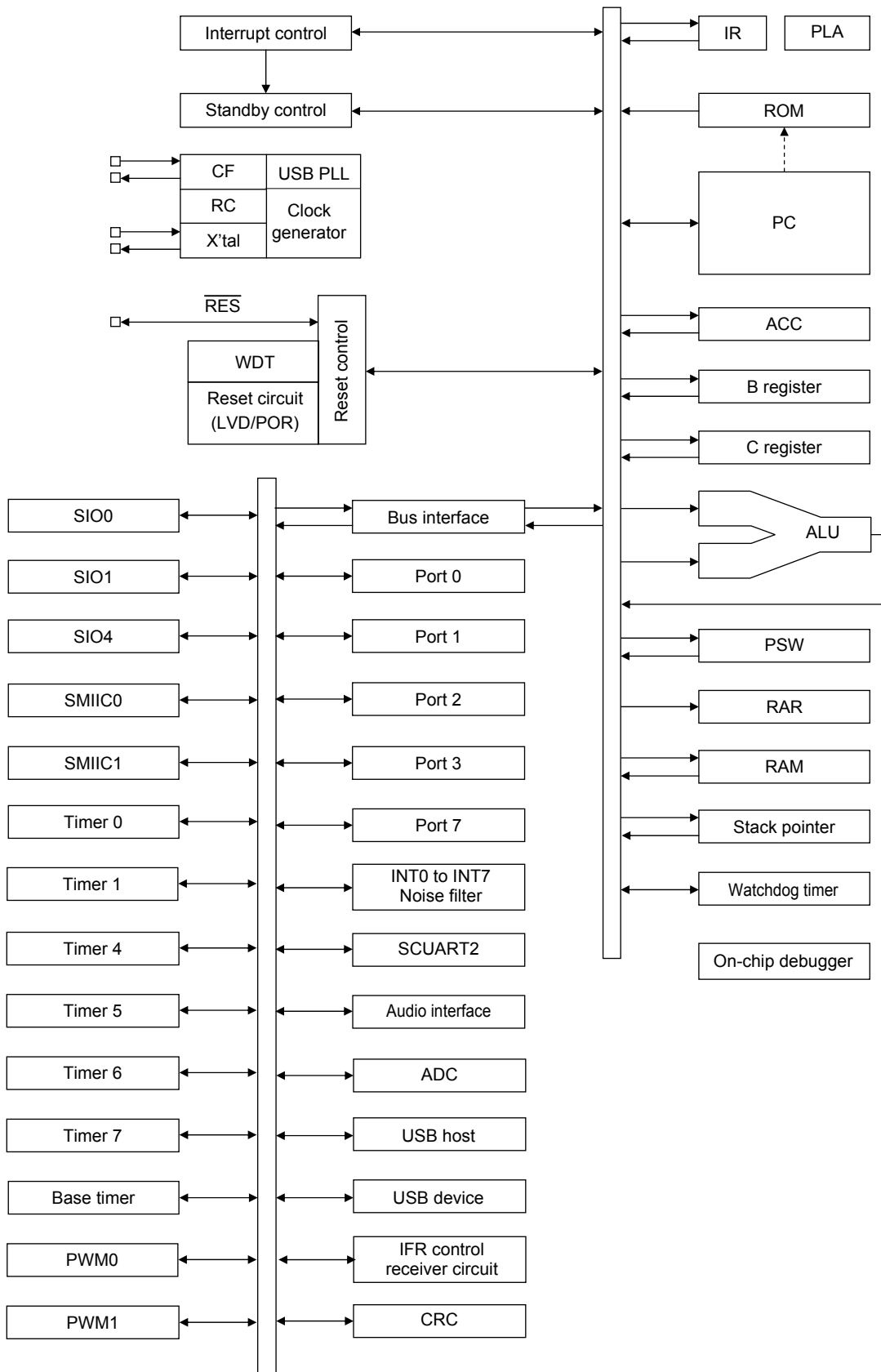


SQFP48(7×7) (Pb-Free and Halogen Free product)

SQFP48	NAME
1	P73/INT3/T0IN/RMIN
2	RES
3	XT1/AN10
4	XT2/AN11
5	VSS1
6	CF1
7	CF2
8	VDD1
9	P10/SO0
10	P11/SI0/SB0
11	P12/SCK0
12	P13/SO1/SM1CK
13	P14/SI1/SB1/SM1DA
14	P15/SCK1/SM0DO/SM1DO
15	P16/T1PWML/SM0DA
16	P17/T1PWMH/BUZ/SM0CK
17	PWM1/MCLKI
18	PWM0/MCLKO
19	VDD2
20	VSS2
21	P00/AN0/SDATI
22	P01/AN1
23	P02/AN2/SDAT_IN
24	P03/AN3/BCLK_IN

SQFP48	NAME
25	P04/AN4/LRCK_IN
26	P05/AN5/CKO/SDAT
27	P06/AN6/T6O/BCLK
28	P07/AN7/T7O/LRCK
29	P20/INT4/INT6
30	P21/INT4
31	P22/INT4/SO4
32	P23/INT4/SI4
33	P24/INT7/SCK4
34	OWP0
35	UBD-
36	UBD+
37	UAD-
38	UAD+
39	VDD3
40	VSS3
41	UFILT
42	AFILT
43	P32/INT5
44	P31/SCURX/INT5
45	P30/SCUTX/INT5
46	P70/INT0/T0LCP/AN8
47	P71/INT1/T0HCP/AN9
48	P72/INT2/T0IN

System Block Diagram



Pin Description

Pin Name	I/O	Description	Option																								
V _{SS} 1, V _{SS} 2, V _{SS} 3	-	_power supply	No																								
V _{DD} 1, V _{DD} 2	-	+power supply	No																								
V _{DD} 3	-	USB reference voltage	Yes																								
Port 0 P00 to P07	I/O	<ul style="list-style-type: none"> · 8-bit I/O port · I/O can be specified in 1-bit units · Pull-up resistors can be turned on and off in 1-bit units. · HOLD release input · Port 0 interrupt input · Pin functions <ul style="list-style-type: none"> AD converter input port : AN0 to AN7 (P00 to P07) P00 : audio interface SDAT input P02 : audio through SDAT input P03 : audio through BCLK input P04 : audio through LRCK input P05 : System clock output / audio interface SDAT I/O P06 : Timer 6 toggle output / audio interface BCLK I/O P07 : Timer 7 toggle output / audio interface LRCK I/O 	Yes																								
Port 1 P10 to P17	I/O	<ul style="list-style-type: none"> · 8-bit I/O port · I/O can be specified in 1-bit units · Pull-up resistors can be turned on and off in 1-bit units. · Pin functions <ul style="list-style-type: none"> P10 : SIO0 data output P11 : SIO0 data input / bus I/O P12 : SIO0 clock I/O P13 : SIO1 data output / SMIIC1 clock I/O P14 : SIO1 data input / bus I/O / SMIIC1 bus I/O / data input P15 : SIO1 clock I/O / SMIIC0 data output (used in 3-wire SIO mode) / SMIIC1 data output (used in 3-wire SIO mode) P16 : Timer 1 PWML output / SMIIC0 bus I/O / data input P17 : Timer 1 PWMH output / buzzer output / SMIIC0 clock I/O 	Yes																								
Port 2 P20 to P24	I/O	<ul style="list-style-type: none"> · 5-bit I/O port · I/O can be specified in 1-bit units · Pull-up resistors can be turned on and off in 1-bit units. · Pin functions <ul style="list-style-type: none"> P20 to P23 : INT4 input / HOLD release input / timer 1 event input / timer 0L capture input / timer 0H capture input P20 : INT6 input / timer 0L capture 1 input P22 : SIO4 data I/O P23 : SIO4 data I/O P24 : INT7 input / timer 0H capture 1 input / SIO4 clock I/O <p>Interrupt acknowledge types</p> <table border="1" style="width: 100%; border-collapse: collapse; text-align: center;"> <thead> <tr> <th></th> <th>Rising</th> <th>Falling</th> <th>Rising & Falling</th> <th>H Level</th> <th>L Level</th> </tr> </thead> <tbody> <tr> <td>INT4</td> <td>Enable</td> <td>Enable</td> <td>Enable</td> <td>Disable</td> <td>Disable</td> </tr> <tr> <td>INT6</td> <td>Enable</td> <td>Enable</td> <td>Enable</td> <td>Disable</td> <td>Disable</td> </tr> <tr> <td>INT7</td> <td>Enable</td> <td>Enable</td> <td>Enable</td> <td>Disable</td> <td>Disable</td> </tr> </tbody> </table>		Rising	Falling	Rising & Falling	H Level	L Level	INT4	Enable	Enable	Enable	Disable	Disable	INT6	Enable	Enable	Enable	Disable	Disable	INT7	Enable	Enable	Enable	Disable	Disable	Yes
	Rising	Falling	Rising & Falling	H Level	L Level																						
INT4	Enable	Enable	Enable	Disable	Disable																						
INT6	Enable	Enable	Enable	Disable	Disable																						
INT7	Enable	Enable	Enable	Disable	Disable																						

Continued on next page.

LC87F17C8A

Continued from preceding page.

Pin Name	I/O	Description	Option																														
Port 3 P30 to P32	I/O	<ul style="list-style-type: none"> 3-bit I/O port I/O can be specified in 1-bit units Pull-up resistors can be turned on and off in 1-bit units. Pin functions <ul style="list-style-type: none"> P30 to P32 : INT5 input / HOLD release input / timer 1 event input / timer 0L capture input / timer 0H capture input P30 : SCUART2 transmit P31 : SCUART2 receive <p>Interrupt acknowledge types</p> <table border="1" style="width: 100%; text-align: center;"> <thead> <tr> <th></th> <th>Rising</th> <th>Falling</th> <th>Rising & Falling</th> <th>H Level</th> <th>L Level</th> </tr> </thead> <tbody> <tr> <td>INT5</td> <td>Enable</td> <td>Enable</td> <td>Enable</td> <td>Disable</td> <td>Disable</td> </tr> </tbody> </table>		Rising	Falling	Rising & Falling	H Level	L Level	INT5	Enable	Enable	Enable	Disable	Disable	Yes																		
	Rising	Falling	Rising & Falling	H Level	L Level																												
INT5	Enable	Enable	Enable	Disable	Disable																												
Port 7 P70 to P73	I/O	<ul style="list-style-type: none"> 4-bit I/O port I/O can be specified in 1-bit units Pull-up resistors can be turned on and off in 1-bit units. Pin functions <ul style="list-style-type: none"> P70 : INT0 input / HOLD release input / timer 0L capture input P71 : INT1 input / HOLD release input / timer 0H capture input P72 : INT2 input / HOLD release input / timer 0 event input / timer 0L capture input / high-speed clock counter input P73 : INT3 input (input with noise filter) / timer 0 event input / timer 0H capture input / infrared remote control receiver input AD converter input port: AN8 (P70), AN9 (P71) <p>Interrupt acknowledge types</p> <table border="1" style="width: 100%; text-align: center;"> <thead> <tr> <th></th> <th>Rising</th> <th>Falling</th> <th>Rising & Falling</th> <th>H Level</th> <th>L Level</th> </tr> </thead> <tbody> <tr> <td>INT0</td> <td>Enable</td> <td>Enable</td> <td>Disable</td> <td>Enable</td> <td>Enable</td> </tr> <tr> <td>INT1</td> <td>Enable</td> <td>Enable</td> <td>Disable</td> <td>Enable</td> <td>Enable</td> </tr> <tr> <td>INT2</td> <td>Enable</td> <td>Enable</td> <td>Enable</td> <td>Disable</td> <td>Disable</td> </tr> <tr> <td>INT3</td> <td>Enable</td> <td>Enable</td> <td>Enable</td> <td>Disable</td> <td>Disable</td> </tr> </tbody> </table>		Rising	Falling	Rising & Falling	H Level	L Level	INT0	Enable	Enable	Disable	Enable	Enable	INT1	Enable	Enable	Disable	Enable	Enable	INT2	Enable	Enable	Enable	Disable	Disable	INT3	Enable	Enable	Enable	Disable	Disable	No
	Rising	Falling	Rising & Falling	H Level	L Level																												
INT0	Enable	Enable	Disable	Enable	Enable																												
INT1	Enable	Enable	Disable	Enable	Enable																												
INT2	Enable	Enable	Enable	Disable	Disable																												
INT3	Enable	Enable	Enable	Disable	Disable																												
PWM0 PWM1	I/O	PWM0 and PWM1 output port General-purpose input port <ul style="list-style-type: none"> Pin functions <ul style="list-style-type: none"> PWM0 : Audio interface master clock output PWM1 : Audio interface master clock input 	No																														
UAD- UAD+	I/O	USB-A port data I/O pin	No																														
UBD- UBD+	I/O	USB-B port data I/O pin	No																														
UFILT	I/O	USB interface PLL filter circuit connection pin (see Fig.5)	No																														
AFILT	I/O	Audio interface PLL filter circuit connection pin (see Fig.6)	No																														
$\overline{\text{RES}}$	I/O	External reset input / internal reset output	No																														
XT1	I	<ul style="list-style-type: none"> 32.768 kHz crystal resonator input Pin functions <ul style="list-style-type: none"> General-purpose input port AD converter input port: AN10 	No																														
XT2	I/O	<ul style="list-style-type: none"> 32.768 kHz crystal resonator output Pin functions <ul style="list-style-type: none"> General-purpose I/O port AD converter input port: AN11 	No																														
CF1	I	Ceramic/crystal resonator input	No																														
CF2	O	Ceramic/crystal resonator output	No																														
OWP0	I/O	Dedicated debugger port	No																														

On-chip Debugger Pin Treatment

For the treatment of the on-chip debugger pins, refer to the separately available documents entitled "RD87 On-chip Debugger Installation Manual."

Recommended Unused Pin Treatment

Pin Name	Recommended Unused Pin Treatment	
	Board	Software
P00 to P07	Open	Set output low.
P10 to P17	Open	Set output low.
P20 to P24	Open	Set output low.
P30 to P32	Open	Set output low.
P70 to P73	Open	Set output low.
PWM0, PWM1	Open	Set output low.
UAD+, UAD-	Open	Set output low.
UBD+, UBD-	Open	Set output low.
XT1	Pull-down with a resistor of 100kΩ or lower.	-
XT2	Open	Set output low.
OWP0	Pull-down with a 100kΩ resistor.	-

Port Output Types

The table below lists the type of port output and the presence/absence of a pull-up resistor. Data can be read into any input port even if it is in output mode.

Port Name	Option Selected in Units of	Option Type	Output Type	Pull-up Resistor	
P00 to P07	1 bit	1	CMOS	Programmable	
P10 to P17		2	N-channel open drain	Programmable	
P20 to P24					
P30 to P32					
P70	-	No	N-channel open drain	Programmable	
P71 to P73	-	No	CMOS	Programmable	
PWM0, PWM1	-	No	CMOS	No	
UAD+, UAD-	-	No	CMOS	No	
UBD+, UBD-	-	No	CMOS	No	
XT1	-	No	Input only	No	
XT2	-	No	32.768kHz crystal resonator output (N-channel open drain when in general-purpose output mode)	No	

LC87F17C8A

User Option Table

Option Name	Option to be Applied on	Flash-ROM Version	Option Selected in Units of	Option Selection	
Port output type	P00 to P07	○	1 bit	CMOS	
				N-channel open drain	
	P10 to P17	○	1 bit	CMOS	
				N-channel open drain	
	P20 to P24	○	1 bit	CMOS	
				N-channel open drain	
	P30 to P32	○	1 bit	CMOS	
				N-channel open drain	
Program start address	-	○	-	00000h	
				1FE00h	
USB regulator	USB regulator	○	-	Use	
				Non-use	
	USB regulator (HOLD mode)	○	-	-	Use
					Non-use
	USB regulator (HALT mode)	○	-	-	Use
					Non-use
Low-voltage detection reset function	Detection function	○	-	Enable : Use	
				Disable : Non-use	
	Detection level	○	-	-	7 levels
Power-on reset function	Power-on reset level	○	-	8 levels	

USB Reference Power Option

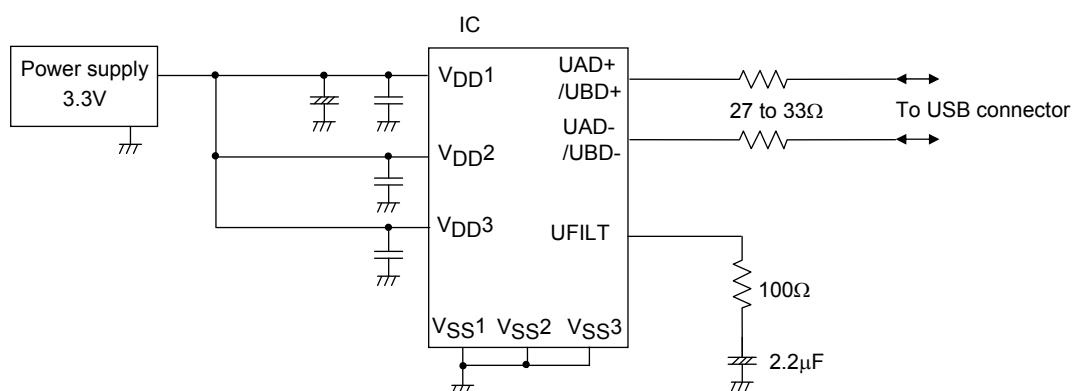
When a voltage 4.5 to 5.5V is supplied to V_{DD1} and the internal USB reference voltage circuit is activated, the reference voltage for USB port output is generated. The active/inactive state of the reference voltage circuit can be switched by selecting an option. The procedure for making the option selection is described below.

Option settings		(1)	(2)	(3)	(4)
	USB regulator	Use	Use	Use	Non-use
	USB regulator at HOLD mode	Use	Non-use	Non-use	Non-use
	USB regulator at HALT mode	Use	Non-use	Use	Non-use
Reference voltage circuit state	Normal mode	Active	Active	Active	Inactive
	HOLD mode	Active	Inactive	Inactive	Inactive
	HALT mode	Active	Inactive	Active	Inactive

- When the USB reference voltage circuit is made inactive, the level of the reference voltage for the USB port output is equal to V_{DD1}.
- Selection (2) or (3) can be used to set the reference voltage circuit inactive in HOLD or HALT mode.
- When the reference voltage circuit is activated, the current drain increases by approximately 100μA compared with when the reference voltage circuit is inactive.

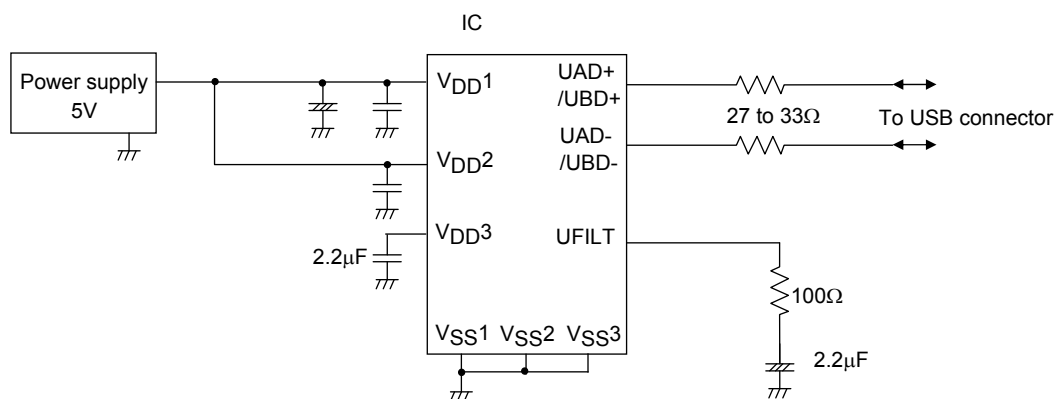
Example 1 : V_{DD1}=V_{DD2}=3.3V

- Inactivating the reference voltage circuit (selection (4)).
- Connecting V_{DD3} to V_{DD1} and V_{DD2}.



Example 2 : V_{DD1}=V_{DD2}=5.0V

- Activating the reference voltage circuit (selection (1)).
- Isolating V_{DD3} from V_{DD1} and V_{DD2}, and connecting capacitor between V_{DD3} and V_{SS}.



Note : Do not apply the voltage of more than 3.6V to UAD+, UAD-, UBD+ and UBD- when the reference voltage circuit is active.

LC87F17C8A

Absolute Maximum Ratings at Ta = 25°C, VSS1 = VSS2 = VSS3 = 0V

Parameter	Symbol	Pin/Remarks	Conditions	Specification					
				VDD[V]	min	typ	max	unit	
Maximum supply voltage	VDD max	VDD1, VDD2, VDD3	VDD1=VDD2=VDD3		-0.3		+6.5	V	
Input voltage	VI(1)	XT1, CF1, RES			-0.3		VDD+0.3		
Input/output voltage	VI(1)	Ports 0, 1, 2, 3, 7 PWM0, PWM1, XT2			-0.3		VDD+0.3		
High level output current	Peak output current	IOPH(1)	Ports 0, 1, 2	• When CMOS output type is selected • Per 1 applicable pin		-10		mA	
		IOPH(2)	PWM0, PWM1	• Per 1 applicable pin		-20			
		IOPH(3)	Port 3 P71 to P73	• When CMOS output type is selected • Per 1 applicable pin		-5			
	Average output current (Note 1-1)	IOMH(1)	Ports 0, 1, 2	• When CMOS output type is selected • Per 1 applicable pin		-7.5			
		IOMH(2)	PWM0, PWM1	Per 1 applicable pin		-15			
		IOMH(3)	Port 3 P71 to P73	• When CMOS output type is selected • Per 1 applicable pin		-3			
	Total output current	ΣIOAH(1)	Ports 0, 2	Total current of all applicable pins		-25			
		ΣIOAH(2)	Port 1 PWM0, PWM1	Total current of all applicable pins		-25			
		ΣIOAH(3)	Ports 0, 1, 2 PWM0, PWM1	Total current of all applicable pins		-45			
		ΣIOAH(4)	Port 3 P71 to P73	Total current of all applicable pins		-10			
		ΣIOAH(5)	UAD+, UAD- UBD+, UBD-	Total current of all applicable pins		-50			
	Low level output current	Peak output current	IOPL(1)	P02 to P07 Ports 1, 2 PWM0, PWM1	Per 1 applicable pin				20
			IOPL(2)	P00, P01	Per 1 applicable pin				30
			IOPL(3)	Ports 3, 7 XT2	Per 1 applicable pin				10
		Average output current (Note 1-1)	IOML(1)	P02 to P07 Ports 1, 2 PWM0, PWM1	Per 1 applicable pin				15
IOML(2)			P00, P01	Per 1 applicable pin			20		
IOML(3)			Ports 3, 7 XT2	Per 1 applicable pin			7.5		
Total output current		ΣIOAL(1)	Ports 0, 2	Total current of all applicable pins			45		
		ΣIOAL(2)	Port 1 PWM0, PWM1	Total current of all applicable pins			45		
		ΣIOAL(3)	Ports 0, 1, 2 PWM0, PWM1	Total current of all applicable pins			80		
		ΣIOAL(4)	Ports 3, 7 XT2	Total current of all applicable pins			15		
	ΣIOAL(5)	UAD+, UAD- UBD+, UBD-	Total current of all applicable pins			50			

Note 1-1 : The average output current is an average of current values measured over 100ms intervals.

Continued on next page.

LC87F17C8A

Continued from preceding page.

Parameter	Symbol	Pin/Remarks	Conditions	Specification				
				V _{DD} [V]	min	typ	max	unit
Allowable power dissipation	P _{d max}	SQFP48(7×7)	T _a =−40 to +85°C				140	mW
Operating ambient Temperature	T _{opr}				−40		+85	°C
Storage ambient temperature	T _{stg}				−55		+125	

Stresses exceeding those listed in the Maximum Ratings table may damage the device. If any of these limits are exceeded, device functionality should not be assumed, damage may occur and reliability may be affected.

Allowable Operating Conditions at T_a = −40°C to +85°C, V_{SS1} = V_{SS2} = V_{SS3} = 0V

Parameter	Symbol	Pin/Remarks	Conditions	Specification				
				V _{DD} [V]	min	typ	max	unit
Operating supply voltage (Note 2-1)	V _{DD} (1)	V _{DD1} =V _{DD2} =V _{DD3}	0.245μs ≤ t _{CYC} ≤ 200μs		3.0		5.5	V
			0.245μs ≤ t _{CYC} ≤ 0.383μs USB circuit active.		3.0		5.5	
			0.490μs ≤ t _{CYC} ≤ 200μs Except for onboard programming mode		2.7		5.5	
Memory retention supply voltage	V _H D	V _{DD1} =V _{DD2} =V _{DD3}	RAM and register contents are retained in HOLD mode		2.0		5.5	
High level input voltage	V _{IH} (1)	Ports 0, 1, 2, 3, 7 PWM0, PWM1		2.7 to 5.5	0.3V _{DD} +0.7		V _{DD}	
	V _{IH} (2)	XT1, XT2, CF1, $\overline{\text{RES}}$		2.7 to 5.5	0.75V _{DD}		V _{DD}	
Low level input voltage	V _{IL} (1)	Ports 1, 2, 3, 7		4.0 to 5.5	V _{SS}		0.1V _{DD} +0.4	
	V _{IL} (2)			2.7 to 4.0	V _{SS}		0.2V _{DD}	
	V _{IL} (3)	Port 0 PWM0, PWM1		4.0 to 5.5	V _{SS}		0.15V _{DD} +0.4	
	V _{IL} (4)			2.7 to 4.0	V _{SS}		0.2V _{DD}	
	V _{IL} (5)	XT1, XT2, CF1, $\overline{\text{RES}}$		2.7 to 5.5	V _{SS}		0.25V _{DD}	
Instruction cycle time (Note 2-2)	t _{CYC}			3.0 to 5.5	0.245		200	μs
			USB circuit active.	3.0 to 5.5	0.245		0.383	
			Except for onboard programming mode	2.7 to 5.5	0.490		200	

Note 2-1 : V_{DD} must be held greater than or equal to 3.0V in the flash ROM onboard programming mode.

Note 2-2 : Relationship between t_{CYC} and oscillation frequency is 3/F_{mCF} at a division ratio of 1/1 and 6/F_{mCF} at a division ratio of 1/2.

Continued on next page.

LC87F17C8A

Continued from preceding page.

Parameter	Symbol	Pin/Remarks	Conditions	Specification				
				V _{DD} [V]	min	typ	max	unit
External system clock frequency	FEXCF(1)	CF1	<ul style="list-style-type: none"> • CF2 pin open • System clock frequency division ratio =1/1 • External system clock duty =50±5% 	3.0 to 5.5	0.1		12	MHz
			<ul style="list-style-type: none"> • CF2 pin open • System clock frequency division ratio =1/1 • External system clock duty =50±5% 	2.7 to 5.5	0.1		6	
Oscillation frequency range (Note 2-3)	FmCF	CF1, CF2	12MHz ceramic oscillation mode See Fig. 1.	3.0 to 5.5		12		MHz
	FmRC		Internal medium-speed RC oscillation	2.7 to 5.5	0.5	1.0	2.0	
	FmSRC		Internal low-speed RC oscillation	2.7 to 5.5	15	30	60	kHz
	FsX'tal	XT1, XT2	32.768kHz crystal oscillation mode See Fig. 2.	2.7 to 5.5		32.768		

Note 2-3 : See Tables 1 and 2 for the oscillation constants.

Functional operation above the stresses listed in the Recommended Operating Ranges is not implied. Extended exposure to stresses beyond the Recommended Operating Ranges limits may affect device reliability.

LC87F17C8A

Electrical Characteristics at Ta = -40°C to +85°C, VSS1 = VSS2 = VSS3 = 0V

Parameter	Symbol	Pin/Remarks	Conditions	Specification				unit	
				VDD [V]	min	typ	max		
High level input current	I _{IH} (1)	Ports 0, 1, 2, 3, 7 RES PWM0, PWM1	Output disabled Pull-up resistor off V _{IN} =V _{DD} (Including output Tr's off leakage current)	2.7 to 5.5			1	μA	
	I _{IH} (2)	XT1, XT2	Input port configuration V _{IN} =V _{DD}	2.7 to 5.5			1		
	I _{IH} (3)	CF1	V _{IN} =V _{DD}	2.7 to 5.5			15		
Low level input current	I _{IL} (1)	Ports 0, 1, 2, 3, 7 RES PWM0, PWM1	Output disabled Pull-up resistor off V _{IN} =V _{SS} (Including output Tr's off leakage current)	2.7 to 5.5		-1		μA	
	I _{IL} (2)	XT1, XT2	Input port configuration V _{IN} =V _{SS}	2.7 to 5.5		-1			
	I _{IL} (3)	CF1	V _{IN} =V _{SS}	2.7 to 5.5		-15			
High level output voltage	V _{OH} (1)	Ports 0, 1, 2, 3 P71 to P73	I _{OH} =-1mA	4.5 to 5.5	V _{DD} -1			V	
	V _{OH} (2)		I _{OH} =-0.4mA	3.0 to 5.5	V _{DD} -0.4				
	V _{OH} (3)		I _{OH} =-0.2mA	2.7 to 5.5	V _{DD} -0.4				
	V _{OH} (4)	PWM0, PWM1 P05 to P07 (Note 3-1)	I _{OH} =-10mA	4.5 to 5.5	V _{DD} -1.5				
	V _{OH} (5)		I _{OH} =-1.6mA	3.0 to 5.5	V _{DD} -0.4				
	V _{OH} (6)		I _{OH} =-1mA	2.7 to 5.5	V _{DD} -0.4				
Low level output voltage	V _{OL} (1)	P00, P01	I _{OL} =30mA	4.5 to 5.5			1.5	V	
	V _{OL} (2)		I _{OL} =5mA	3.0 to 5.5			0.4		
	V _{OL} (3)		I _{OL} =2.5mA	2.7 to 5.5			0.4		
	V _{OL} (4)	Ports 0, 1, 2 PWM0, PWM1 XT2	I _{OL} =10mA	4.5 to 5.5			1.5		
	V _{OL} (5)		I _{OL} =1.6mA	3.0 to 5.5			0.4		
	V _{OL} (6)		I _{OL} =1mA	2.7 to 5.5			0.4		
	V _{OL} (7)	Ports 3, 7	I _{OL} =1.6mA	3.0 to 5.5			0.4		
	V _{OL} (8)		I _{OL} =1mA	2.7 to 5.5			0.4		
Pull-up resistance	R _{pu} (1)	Ports 0, 1, 2, 3, 7	V _{OH} =0.9V _{DD}	4.5 to 5.5		15	35	80	kΩ
	R _{pu} (2)			2.7 to 4.5		18	50	150	
Hysteresis voltage	V _{HYS}	RES Ports 1, 2, 3, 7		2.7 to 5.5		0.1V _{DD}		V	
Pin capacitance	CP	All pins	For pins other than those under test : V _{IN} =V _{SS} f=1MHz Ta=25°C	2.7 to 5.5			10	pF	

Note 3-1 : When the CKO system clock output function (P05) or the audio interface output function (P05 to P07) is used.

Product parametric performance is indicated in the Electrical Characteristics for the listed test conditions, unless otherwise noted. Product performance may not be indicated by the Electrical Characteristics if operated under different conditions.

LC87F17C8A

Serial I/O Characteristics at Ta = -40°C to +85°C, VSS1 = VSS2 = VSS3 = 0V

1. SIO0 Serial I/O Characteristics (Note 4-1-1)

Parameter	Symbol	Pin/ Remarks	Conditions	VDD [V]	Specification								
					min	typ	max	unit					
Serial clock	Input clock	Frequency	tSCK(1)	SCK0(P12)	2.7 to 5.5				tCYC				
		Low level pulse width	tSCKL(1)							See Fig. 8.	2		
		High level pulse width	tSCKH(1)								1		
			tSCKHA(1a)	<ul style="list-style-type: none"> • Continuous data transmission/reception mode • USB, AIF, SIO4, CRC not used at the same time. • See Fig. 8. • (Note 4-1-2) 							1		
			tSCKHA(1b)							<ul style="list-style-type: none"> • Continuous data transmission/reception mode • USB used at the same time • AIF, SIO4, CRC not used at the same time. • See Fig. 8. • (Note 4-1-2) 	4		
			tSCKHA(1c)								<ul style="list-style-type: none"> • Continuous data transmission/reception mode • USB, AIF, SIO4, CRC used at the same time. • See Fig. 8. • (Note 4-1-2) 	7	
	Output clock	Frequency	tSCK(2)	SCK0(P12)	2.7 to 5.5				tCYC				
		Low level pulse width	tSCKL(2)							<ul style="list-style-type: none"> • When CMOS output type is selected. • See Fig. 8. 	4/3		
		High level pulse width	tSCKH(2)								<ul style="list-style-type: none"> • Continuous data transmission/reception mode • USB, AIF, SIO4, CRC not used at the same time. • When CMOS output type is selected. • See Fig. 8. 	1/2	
	tSCKHA(2a)	<ul style="list-style-type: none"> • Continuous data transmission/reception mode • USB, AIF, SIO4, CRC not used at the same time. • When CMOS output type is selected. • See Fig. 8. 	tSCKH(2) + 2tCYC	tSCKH(2) + (10/3)tCYC									
	tSCKHA(2b)		<ul style="list-style-type: none"> • Continuous data transmission/reception mode • USB used at the same time • AIF, SIO4, CRC not used at the same time. • When CMOS output type is selected. • See Fig. 8. 	tSCKH(2) + 2tCYC						tSCKH(2) + (19/3)tCYC			
	tSCKHA(2c)			<ul style="list-style-type: none"> • Continuous data transmission/reception mode • USB, AIF, SIO4, CRC used at the same time • When CMOS output type is selected. • See Fig. 8. 						tSCKH(2) + 2tCYC	tSCKH(2) + (25/3)tCYC		

Note 4-1-1 : These specifications are theoretical values. Margins must be allowed according to the actual operating conditions.

Note 4-1-2 : In an application where the serial clock input is to be used in continuous data transmission/reception mode, the time from SIORUN being set when serial clock is high to the falling edge of the first serial clock must be longer than tSCKHA.

Continued on next page.

LC87F17C8A

Continued from preceding page.

Parameter		Symbol	Pin/ Remarks	Conditions	V _{DD} [V]	Specification			
						min	typ	max	unit
Serial input	Data setup time	tsDI(1)	SB0(P11), SI0(P11)	<ul style="list-style-type: none"> • Must be specified with respect to rising edge of SIOCLK • See Fig. 8. 	2.7 to 5.5	0.03			
	Data hold time	thDI(1)				0.03			
Serial output	Input clock	Output delay time	SO0(P10), SB0(P11)	<ul style="list-style-type: none"> • Continuous data transmission/reception mode • (Note 4-1-3) • Synchronous 8-bit mode • (Note 4-1-3) 	2.7 to 5.5			(1/3)tCYC +0.05	μs
						tdDO(2)			
	Output clock	tdDO(3)						(1/3)tCYC +0.05	

Note 4-1-3 : Must be specified with respect to falling edge of SIOCLK. Must be defined as the time up to the beginning of output state change in open drain output mode. See Fig. 8.

2. SIO1 Serial I/O Characteristics (Note 4-2-1)

Parameter		Symbol	Pin/ Remarks	Conditions	V _{DD} [V]	Specification				
						min	typ	max	unit	
Serial clock	Input clock	Frequency	tSCK(3)	SCK1(P15)	See Fig. 8.	2			tCYC	
		Low level pulse width	tSCKL(3)			1				
		High level pulse width	tSCKH(3)			1				
	Output clock	Frequency	tSCK(4)	SCK1(P15)	<ul style="list-style-type: none"> • When CMOS output type is selected. • See Fig. 8. 	2.7 to 5.5	2			tSCK
		Low level pulse width	tSCKL(4)				1/2			
		High level pulse width	tSCKH(4)				1/2			
Serial input	Data setup time	tsDI(2)	SB1(P14), SI1(P14)	<ul style="list-style-type: none"> • Must be specified with respect to rising edge of SIOCLK. • See Fig. 8. 	2.7 to 5.5	0.03				
	Data hold time	thDI(2)				0.03				
Serial output	Output delay time	tdDO(4)	SO1(P13), SB1(P14)	<ul style="list-style-type: none"> • Must be specified with respect to falling edge of SIOCLK. • Must be specified as the time up to the beginning of output state change in open drain output mode. • See Fig. 8. 	2.7 to 5.5			(1/2)tCYC +0.05	μs	

Note 4-2-1 : These specifications are theoretical values. Margins must be allowed according to the actual operating conditions.

LC87F17C8A

3. SIO4 Serial I/O Characteristics (Note 4-3-1)

Parameter	Symbol	Pin/ Remarks	Conditions	V _{DD} [V]	Specification								
					min	typ	max	unit					
Serial clock	Input clock	Frequency	tSCK(5)	SCK4(P24)	2.7 to 5.5				tCYC				
		Low level pulse width	tSCKL(5)							• USB, SIO0 continuous transfer mode, AIF, CRC not used at the same time. • See Fig. 8. • (Note 4-3-2)	2		
		High level pulse width	tSCKH(5)								1		
			tSCKHA(5a)	1									
			tSCKHA(5b)	• USB used at the same time. • SIO0 continuous transfer mode, AIF, CRC not used at the same time. • See Fig. 8. • (Note 4-3-2)						4			
			tSCKHA(5c)							7			
	Output clock	Frequency	tSCK(6)	SCK4(P24)	2.7 to 5.5				tCYC				
		Low level pulse width	tSCKL(6)							• When CMOS output type is selected. • See Fig. 8.	4/3		
		High level pulse width	tSCKH(6)								1/2		tSCK
	tSCKHA(6a)	• USB, SIO0 continuous transfer mode, AIF, CRC not used at the same time. • When CMOS output type is selected. • See Fig. 8.	tSCKH(6) + (5/3)tCYC		tSCKH(6) + (10/3)tCYC								
	tSCKHA(6b)		• USB used at the same time. • SIO0 continuous transfer mode, AIF, CRC not used at the same time. • When CMOS output type is selected. • See Fig. 8.	tSCKH(6) + (5/3)tCYC		tSCKH(6) + (19/3)tCYC	tCYC						
	tSCKHA(6c)	• USB, SIO0 continuous transfer mode used at the same time • AIF, CRC not used at the same time. • When CMOS output type is selected. • See Fig. 8.		tSCKH(6) + (5/3)tCYC		tSCKH(6) + (28/3)tCYC							

Note 4-3-1 : These specifications are theoretical values. Margins must be allowed according to the actual operating conditions.

Note 4-3-2 : In an application where the serial clock input is to be used, the time from SI4RUN being set when serial clock is high to the falling edge of the first serial clock must be longer than tSCKHA when continuous data transmission/reception is started.

Continued on next page.

LC87F17C8A

Continued from preceding page.

Parameter	Symbol	Pin/ Remarks	Conditions	V _{DD} [V]	Specification				
					min	typ	max	unit	
Serial input	Data setup time	tsDI(3)	SO4(P22), SI4(P23)	• Must be specified with respect to rising edge of SIOCLK. • See Fig. 8.	2.7 to 5.5	0.03			
	Data hold time	thDI(3)				0.03			
Serial output	Output delay time	tdDO(5)	SO4(P22), SI4(P23)	• Must be specified with respect to falling edge of SIOCLK. • Must be specified as the time up to the beginning of output state change in open drain output mode • See Fig. 8.	2.7 to 5.5			(1/3)t _{CYC} +0.05	μs

4-1. SMIC0/SMIC1 Simple SIO Mode I/O Characteristics (Note 4-4-1)

Parameter	Symbol	Pin/Remarks	Conditions	V _{DD} [V]	Specification				
					min	typ	max	unit	
Serial clock	Input clock	Frequency	SM0CK(P17), SM1CK(P13)	See Fig. 8.	2.7 to 5.5	4/3			t _{CYC}
		Low level pulse width				2/3			
		High level pulse width				2/3			
	Output clock	Frequency	SM0CK(P17), SM1CK(P13)	• When CMOS output type is selected. • See Fig. 8.	2.7 to 5.5	4/3			t _{SCK}
		Low level pulse width				1/2			
		High level pulse width				1/2			
Serial input	Data setup time	tsDI(4)	SM0DA(P16), SM1DA(P14)	• Must be specified with respect to rising edge of SIOCLK. • See Fig. 8.	2.7 to 5.5	0.03			
	Data hold time	thDI(4)				0.03			
Serial output	Output delay time	tdDO(6)	SM0DA(P16), SM0DO(P15), SM1DA(P14), SM1DO(P15)	• Must be specified with respect to falling edge of SIOCLK. • Must be specified as the time to the beginning of output state change. • See Fig. 8.	2.7 to 5.5			(1/3)t _{CYC} +0.05	μs

Note 4-4-1 : These specifications are theoretical values. Margins must be allowed according to the actual operating conditions.

LC87F17C8A

4-2. SMIC0/SMIC1 I²C Mode I/O Characteristics (Note 4-5-1)

Parameter		Symbol	Pin/Remarks	Conditions	V _{DD} [V]	Specification				
						min	typ	max	unit	
Serial clock	Input clock	Frequency	tSCL	SM0CK(P17), SM1CK(P13)	See Fig. 10.	2.7 to 5.5	5			Tfilt
		Low level pulse width	tSCLL				2.5			
		High level pulse width	tSCLH				2			
	Output clock	Frequency	tSCLx	SM0CK(P17), SM1CK(P13)	Must be specified as the time up to the beginning of output state change.	2.7 to 5.5	10			tSCL
		Low level pulse width	tSCLLx				1/2			
		Highlevel pulse width	tSCLHx				1/2			
SM0CK, SM0DA, SM1CK, SM1DA pin input spike suppression time		tsp	SM0CK(P17), SM0DA(P16), SM1CK(P13), SM1DA(P14)	See Fig. 10.	2.7 to 5.5			1	Tfilt	
Bus relinquish time between start and stop	input	tBUF	SM0CK(P17), SM0DA(P16), SM1CK(P13), SM1DA(P14)	See Fig. 10.	2.7 to 5.5	2.5			Tfilt	
		tBUFx				<ul style="list-style-type: none"> • Standard clock mode • Must be specified as the time up to the beginning of output state change. 		5.5		
	Output	<ul style="list-style-type: none"> • High-speed clock mode • Must be specified as the time up to the beginning of output state change. 				1.6				
Start, restart condition hold time	input	tHD;STA	SM0CK(P17), SM0DA(P16), SM1CK(P13), SM1DA(P14)	<ul style="list-style-type: none"> • When SMIC register control bit SHDS=0 • See Fig. 10. • When SMIC register control bit SHDS=1 • See Fig. 10. 	2.7 to 5.5	2.0			Tfilt	
		tHD;STAx				2.5				
	Output	<ul style="list-style-type: none"> • Standard clock mode • Must be specified as the time up to the beginning of output state change. 				4.1			μs	
		<ul style="list-style-type: none"> • High-speed clock mode • Must be specified as the time up to the beginning of output state change. 				1.0				
Restart condition setup time	input	tSU;STA	SM0CK(P17), SM0DA(P16), SM1CK(P13), SM1DA(P14)	See Fig. 10.	2.7 to 5.5	1.0			Tfilt	
		tSU;STAx				<ul style="list-style-type: none"> • Standard clock mode • Must be specified as the time up to the beginning of output state change. 		5.5		
	Output	<ul style="list-style-type: none"> • High-speed clock mode • Must be specified as the time up to the beginning of output state change. 				1.6				

Continued on next page.

LC87F17C8A

Continued from preceding page.

Parameter	Symbol	Pin/Remarks	Conditions	Specification								
				V _{DD} [V]	min	typ	max	unit				
Stop condition setup time	Input	tSU;STO	SM0CK(P17), SM0DA(P16), SM1CK(P13), SM1DA(P14)	2.7 to 5.5	1.0			Tfilt				
	Output	tSU;STOx	<ul style="list-style-type: none"> • Standard clock mode • Must be specified as the time up to the beginning of output state change. 						4.9			μs
Data hold time	Input	tHD;DAT	SM0CK(P17), SM0DA(P16), SM1CK(P13), SM1DA(P14)	2.7 to 5.5	0			Tfilt				
	Output	tHD;DATx	Must be specified as the time up to the beginning of output state change.						1	1.5		
Data setup time	Input	tSU;DAT	SM0CK(P17), SM0DA(P16), SM1CK(P13), SM1DA(P14)	2.7 to 5.5	1			Tfilt				
	Output	tSU;DATx	Must be specified as the time up to the beginning of output state change.						1tSCL-1.5Tfilt			

Note 4-5-1 : These specifications are theoretical values. Margins must be allowed according to the actual operating conditions.

Note 4-5-2 : The value of Tfilt is determined by bits 7 and 6 (BRP1 and BRP0) of the SMIC0BRG/SMIC1BRG register and the system clock frequency.

BRP1	BRP0	Tfilt
0	0	(1/3) tCYC×1
0	1	(1/3) tCYC×2
1	0	(1/3) tCYC×3
1	1	(1/3) tCYC×4

Set the value of the BRP1 and BRP0 bits so that the value of Tfilt falls within the following value range :

$$250 \text{ ns} \geq T_{\text{filt}} > 140 \text{ ns}$$

Note 4-5-3: For standard clock mode operation, set up the SMIC0BRG/SMIC1BRG register so that the following conditions are satisfied :

$$250 \text{ ns} \geq T_{\text{filt}} > 140 \text{ ns}$$

$$\text{BRDQ (bit5)} = 1$$

$$\text{SCL frequency value} \leq 100 \text{ kHz}$$

For high-speed clock mode operation, set up the SMIC0BRG/SMIC1BRG register so that the following conditions are satisfied :

$$250 \text{ ns} \geq T_{\text{filt}} > 140 \text{ ns}$$

$$\text{BRDQ (bit5)} = 0$$

$$\text{SCL frequency value} \leq 400 \text{ kHz}$$

LC87F17C8A

Pulse Input Conditions at Ta = -40°C to +85°C, VSS1 = VSS2 = VSS3 = 0V

Parameter	Symbol	Pin/Remarks	Conditions	Specification				
				V _{DD} [V]	min	typ	max	unit
High/low level pulse width	tPIH(1) tPIL(1)	INT0(P70), INT1(P71), INT2(P72), INT4(P20 to P23), INT5(P30 to P32), INT6(P20), INT7(P24)	<ul style="list-style-type: none"> Interrupt source flag can be set. Event inputs for timer 0/1 are enabled. 	2.7 to 5.5	1			tCYC
	tPIH(2) tPIL(2)	INT3(P73) when noisefilter time constant is 1/1.	<ul style="list-style-type: none"> Interrupt source flag can be set. Event inputs for timer 0 are enabled. 	2.7 to 5.5	2			
	tPIH(3) tPIL(3)	INT3(P73) when noisefilter time constant is 1/32.	<ul style="list-style-type: none"> Interrupt source flag can be set. Event inputs for timer 0 are enabled. 	2.7 to 5.5	64			
	tPIH(4) tPIL(4)	INT3(P73) when noisefilter time constant is 1/128.	<ul style="list-style-type: none"> Interrupt source flag can be set. Event inputs for timer 0 are enabled. 	2.7 to 5.5	256			
	tPIL(5)	RMIN(P73)	Recognized as a signal by infrared remote control receiver circuit	2.7 to 5.5	4			RMCK (Note 5-1)
	tPIL(6)	$\overline{\text{RES}}$	Resetting is enabled.	2.7 to 5.5	200			μs

Note 5-1 : Denotes the reference frequency of the infrared remote control receiver circuit (1tCYC to 128tCYC or source oscillation frequency of the subclock)

LC87F17C8A

AD Converter Characteristics at Ta = -40°C to +85°C, VSS1 = VSS2 = VSS3 = 0V

<12-bit AD Converter Mode>

Parameter	Symbol	Pin/Remarks	Conditions	Specification				
				VDD [V]	min	typ	max	unit
Resolution	N	AN0(P00) to AN7(P07) AN8(P70) AN9(P71) AN10(XT1) AN11(XT2)		3.0 to 5.5		12		bit
Absolute accuracy	ET		(Note 6-1)	3.0 to 5.5			±16	LSB
Conversion time	TCAD		See conversion time calculation formulas. (Note 6-2)	4.0 to 5.5	32		115	μs
				3.0 to 5.5	64		115	
Analog input voltage range	VAIN			3.00 to 5.5	VSS		VDD	V
Analog port input current	IAINH		VAIN=VDD	3.0 to 5.5			1	μA
	IAINL	VAIN=VSS	3.0 to 5.5		-1			

<8-bit AD Converter Mode>

Parameter	Symbol	Pin/Remarks	Conditions	Specification				
				VDD [V]	min	typ	max	unit
Resolution	N	AN0(P00) to AN7(P07) AN8(P70) AN9(P71) AN10(XT1) AN11(XT2)		3.0 to 5.5		8		bit
Absolute accuracy	ET		(Note 6-1)	3.0 to 5.5			±1.5	LSB
Conversion time	TCAD		See conversion time calculation formulas. (Note 6-2)	4.0 to 5.5	20		90	μs
				3.0 to 5.5	40		90	
Analog input voltage range	VAIN			3.0 to 5.5	VSS		VDD	V
A Analog port input current	IAINH		VAIN=VDD	3.0 to 5.5			1	μA
	IAINL	VAIN=VSS	3.0 to 5.5		-1			

Conversion time calculation formulas :

12-bits AD Converter Mode : TCAD (Conversion time) = ((52/(AD division ratio))+2) × □(1/3) × □tCYC

8-bits AD Converter Mode : TCAD (Conversion time) = ((32/(AD division ratio))+2) × □(1/3) × □tCYC

<Recommended Operating Conditions>

External Oscillator FmCF [MHz]	Supply Voltage Range VDD [V]	System Clock Division (SYSDIV)	Cycle Time tCYC [ns]	AD Frequency Division Ratio (ADDIV)	Conversion Time (TCAD) [μs]	
					12-bit AD	8-bit AD
12	4.0 to 5.5	1/1	250	1/8	34.8	21.5
	3.0 to 5.5	1/1	250	1/16	69.5	42.8

Note 6-1: The quantization error (±1/2LSB) must be excluded from the absolute accuracy. The absolute accuracy must be measured in the microcontroller's state in which no I/O operations occur at the pins adjacent to the analog input channel.

Note 6-2: The conversion time refers to the period from the time an instruction for starting a conversion process until the time the conversion result register is loaded with a complete digital conversion value corresponding to the analog input value.

The conversion time is doubled in the following cases :

- The AD conversion is carried out in the 12-bit AD conversion mode for the first time after a system reset.
- The AD conversion is carried out for the first time after the AD conversion mode is switched from 8-bit to 12-bit AD conversion mode.

LC87F17C8A

Power-on Reset (POR) Characteristics at Ta = -40°C to +85°C, VSS1 = VSS2 = VSS3 = 0V

Parameter	Symbol	Conditions	Option selected voltage	Specification			
				min	typ	max	unit
POR release voltage	PORRL	Select from option (Note 7-1)	1.67V	1.55	1.67	1.79	V
			1.97V	1.85	1.97	2.09	
			2.07V	1.95	2.07	2.19	
			2.37V	2.25	2.37	2.49	
			2.57V	2.45	2.57	2.69	
			2.87V	2.75	2.87	2.99	
			3.86V	3.73	3.86	3.99	
			4.35V	4.21	4.35	4.49	
Detection voltage unknown state	POUKS	See Fig. 12 (Note 7-2)			0.7	0.95	
Power supply rise time	PORIS	Power supply rise time from VDD=0V to 1.6V				100	ms

Note 7-1 : The POR release level can be selected out of 8 levels only when LDV reset function is disabled.

Note 7-2 : POR is in unknown state before transistors start operation.

Low Voltage Detection (LVD) Characteristics

at Ta = -40°C to +85°C, VSS1 = VSS2 = VSS3 = 0V

Parameter	Symbol	Conditions	Option selected voltage	Specification			
				min	typ	max	unit
LVD reset voltage (Note 8-2)	LVDET	Select from option. See Fig. 13. (Note 8-1) (Note 8-3)	1.91V	1.81	1.91	2.01	V
			2.01V	1.91	2.01	2.11	
			2.31V	2.21	2.31	2.41	
			2.51V	2.41	2.51	2.61	
			2.81V	2.71	2.81	2.91	
			3.79V	3.69	3.79	3.89	
			4.28V	4.18	4.28	4.38	
			LVD hysteresis width	LVHYS		1.91V	
2.01V		55					
2.31V		55					
2.51V		55					
2.81V		55					
3.79V		60					
4.28V		65					
Detection voltage unknown state	LVUKS	See Fig. 13. (Note 8-4)			0.7	0.95	V
Low voltage detection minimum width (Reply sensitivity)	TLVDW	LVDET-0.5V See Fig. 14.		0.2			ms

Note8-1 : The LVD reset level can be selected out of 7 levels only when the LVD reset function is enabled.

Note8-2 : LVD reset voltage specification values do not include hysteresis voltage.

Note8-3 : LVD reset voltage may exceed its specification values when port output state changes and/or when a large current flows through port.

Note8-4 : LVD is in an unknown state before transistors start operation.

LC87F17C8A

Consumption Current Characteristics at Ta = -40°C to +85°C, VSS1 = VSS2 = VSS3 = 0V

Parameter	Symbol	Pin/ Remarks	Conditions	Specification				
				VDD[V]	min	typ	max	unit
Normal mode consumption current (Note 9-1) (Note 9-2)	IDDOP(1)	VDD1 =VDD2 =VDD3	<ul style="list-style-type: none"> • FmCF=12MHz ceramic oscillation mode • FsX'tal=32.768kHz crystal oscillation mode • System clock set to 12MHz side • Internal PLL oscillation stopped • Internal low-/medium-speed RC oscillation stopped • USB circuit stopped • 1/1 frequency division ratio 	4.5 to 5.5		9.8	18	mA
				3.0 to 3.6		5.7	11	
	IDDOP(2)		<ul style="list-style-type: none"> • FmCF=12MHz ceramic oscillation mode • FsX'tal=32.768kHz crystal oscillation mode • System clock set to 12MHz side • Internal PLL oscillation mode active • Internal low-/medium-speed RC oscillation stopped • USB circuit active • 1/1 frequency division ratio 	4.5 to 5.5		17	30	
				3.0 to 3.6		8.5	16	
	IDDOP(3)		<ul style="list-style-type: none"> • FmCF=12MHz ceramic oscillation mode • FsX'tal=32.768kHz crystal oscillation mode • System clock set to 6MHz side • Internal low-/medium-speed RC oscillation stopped • 1/2 frequency division ratio 	4.5 to 5.5		6.7	12	
				3.0 to 3.6		4.2	7.1	
				2.7 to 3.0		3.5	5.8	
	IDDOP(4)		<ul style="list-style-type: none"> • External oscillation FmCF stopped • FsX'tal=32.768kHz crystal oscillation mode • System clock set to internal medium-speed RC oscillation • Internal low-speed RC oscillation stopped • 1/2 frequency division ratio 	4.5 to 5.5		0.44	1.4	
				3.0 to 3.6		0.29	0.87	
				2.7 to 3.0		0.26	0.75	
	IDDOP(5)		<ul style="list-style-type: none"> • External oscillation FsX'tal /FmCF stopped • System clock set to internal low-speed RC oscillation • Internal medium-speed RC oscillation stopped • 1/1 frequency division ratio 	4.5 to 5.5		28	153	
				3.0 to 3.6		18	80	
2.7 to 3.0				16	66			
IDDOP(6)	<ul style="list-style-type: none"> • External oscillation FmCF stopped • FsX'tal=32.768kHz crystal oscillation mode • System clock set to 32.768kHz side • Internal low-/medium-speed RC oscillation stopped • 1/2 frequency division ratio 	4.5 to 5.5		45	160			
		3.0 to 3.6		18	74			
		2.7 to 3.0		14	58			
HALT mode consumption current (Note 9-1) (Note 9-2)	IDDHALT(1)	<ul style="list-style-type: none"> • HALT mode • FmCF=12MHz ceramic oscillation mode • FsX'tal=32.768kHz crystal oscillation mode • System clock set to 12MHz side • Internal PLL oscillation stopped • Internal low-/medium-speed RC oscillation stopped • USB circuit stopped • 1/1 frequency division ratio 	4.5 to 5.5		4.0	7.0	mA	
			3.0 to 3.6		2.2	3.8		

Note 9-1 : The consumption current value do not include current that flows into the output transistors and internal pull-up resistors.

Note 9-2 : The consumption current values do not include operational current of LVD (Low Voltage Detection) function if not specified.

Continued on next page.

LC87F17C8A

Continued from preceding page.

Parameter	Symbol	Pin/ Remarks	Conditions	Specification				
				V _{DD} [V]	min	typ	max	unit
HALT mode consumption current (Note 9-1) (Note 9-2)	IDDHALT(2)	V _{DD1} =V _{DD2} =V _{DD3}	<ul style="list-style-type: none"> • HALT mode • FmCF=12MHz ceramic oscillation mode • FsX'tal=32.768kHz crystal oscillation mode • System clock set to 12MHz side • Internal PLL oscillation active • Internal low-/medium-speed RC oscillation stopped • USB circuit active • 1/1 frequency division ratio 	4.5 to 5.5		11	19	mA
				3.0 to 3.6		4.9	9.1	
	IDDHALT(3)		<ul style="list-style-type: none"> • HALT mode • FmCF=12MHz ceramic oscillation mode • FsX'tal=32.768kHz crystal oscillation mode • System clock set to 6MHz side • Internal low-/medium-speed RC oscillation stopped • 1/2 frequency division ratio 	4.5 to 5.5		2.5	4.5	
				3.0 to 3.6		1.3	2.3	
				2.7 to 3.0		1.1	1.8	
	IDDHALT(4)		<ul style="list-style-type: none"> • HALT mode • External oscillation FmCF stopped • FsX'tal=32.768kHz crystal oscillation mode • System clock set to internal medium-speed RC oscillation • Internal low-speed RC oscillation stopped • 1/2 frequency division ratio 	4.5 to 5.5		0.16	0.56	
			3.0 to 3.6		0.09	0.27		
			2.7 to 3.0		0.07	0.21		
	IDDHALT(5)	<ul style="list-style-type: none"> • HALT mode • External oscillation FsX'tal /FmCF stopped • System clock set to internal low-speed RC oscillation • Internal medium-speed RC oscillation stopped. • 1/1 frequency division ratio 	4.5 to 5.5		7.2	111		
			3.0 to 3.6		4.0	56		
			2.7 to 3.0		3.4	46		
	IDDHALT(6)	<ul style="list-style-type: none"> • HALT mode • External oscillation FmCF stopped • FsX'tal=32.768kHz crystal oscillation mode • System clock set to 32.768kHz side • Internal low-/medium-speed RC oscillation stopped. • 1/2 frequency division ratio 	4.5 to 5.5		30	141		
		3.0 to 3.6		8.4	63			
		2.7 to 3.0		5.8	48			
HOLD mode consumption current (Note 9-1) (Note 9-2)	IDDHOLD(1)		<ul style="list-style-type: none"> • HOLD mode • CF1=V_{DD} or open (External clock mode) 	4.5 to 5.5		0.30	91	μA
				3.0 to 3.6		0.22	46	
				2.7 to 3.0		0.21	38	
	IDDHOLD(2)		<ul style="list-style-type: none"> • HOLD mode • LVD option selected • CF1=V_{DD} or open (External clock mode) 	4.5 to 5.5		3.3	95	
				3.0 to 3.6		2.5	49	
				2.7 to 3.0		2.3	41	
	IDDHOLD(3)		<ul style="list-style-type: none"> • HOLD mode • Internal timer type watchdog timer active (Internal low-speed RC oscillation circuit active) • CF1=V_{DD} or open (External clock mode) 	4.5 to 5.5		0.88	95	
				3.0 to 3.6		0.47	47	
				2.7 to 3.0		0.42	39	

Note 9-1 : Values of the consumption current do not include current that flows into the output transistors and internal pull-up resistors.

Note 9- 2: The consumption current values do not include operational current of LVD (Low Voltage Detection) function if not specified.

Continued on next page.

LC87F17C8A

Continued from preceding page.

Parameter	Symbol	Pin/ Remarks	Conditions	Specification				
				V _{DD} [V]	min	typ	max	unit
X'tal HOLD mode consumption current (Note 9-1) (Note 9-2)	IDDHOLD(4)	V _{DD1} =V _{DD2} =V _{DD3}	<ul style="list-style-type: none"> • X'tal HOLD mode • CF1=V_{DD} or open (External clock mode) • FsX'tal=32.768kHz crystal oscillation mode 	4.5 to 5.5		26	135	μA
				3.0 to 3.6		6.1	60	
				2.7 to 3.0		3.8	46	
	IDDHOLD(5)		<ul style="list-style-type: none"> • X'tal HOLD mode • CF1=V_{DD} or open (External clock mode) • FmSRC=30kHz internal low-speed RC oscillation mode 	4.5 to 5.5		0.94	95	
				3.0 to 3.6		0.51	47	
				2.7 to 3.0		0.44	39	

Note 9-1 : Values of the consumption current do not include current that flows into the output transistors and internal pull-up resistors.

Note 9-2 : The consumption current values do not include operational current of LVD (Low Voltage Detection) function if not specified.

USB Characteristics and Timing at Ta = -40°C to +85°C, V_{SS1} = V_{SS2} = V_{SS3} = 0V

Parameter	Symbol	Pin/Remarks	Conditions			
			min	typ	max	unit
High level output	V _{OH(USB)}	• 15kΩ±5% to GND	2.8		3.6	V
Low level output	V _{OL(USB)}	• 1.5kΩ±5% to 3.6V	0.0		0.3	V
Output signal crossover voltage	V _{CRS}		1.3		2.0	V
Differential input sensitivity	V _{DI}	<ul style="list-style-type: none"> • (UAD+)-(UAD-) • (UBD+)-(UBD-) 	0.2			V
Differential input common mode range	V _{CM}		0.8		2.5	V
High level input	V _{IH(USB)}		2.0		3.6	V
Low level input	V _{IL(USB)}		0.0		0.8	V
Rise time (full-speed)	t _{FR}	C _L =50pF	4		20	ns
Fall time (full-speed)	t _{FF}	C _L =50pF	4		20	ns
Rise time (low-speed)	t _{LR}	C _L =200 to 600pF	75		300	ns
Fall time (low-speed)	t _{LF}	C _L =200 to 600pF	75		300	ns

F-ROM Programming Characteristics at Ta = +10°C to +55°C, V_{SS1} = V_{SS2} = V_{SS3} = 0V

Parameter	Symbol	Pin/Remarks	Conditions	Specification				
				V _{DD} [V]	min	typ	max	unit
Onboard programming current	IDDFW(1)	V _{DD1}	• Excluding power dissipation in the microcontroller block	3.0 to 5.5		5	10	mA
Programming time	tFW(1)		• Erase operation	3.0 to 5.5		20	30	ms
	tFW(2)		• Write operation			40	60	μs

Main System Clock Oscillation

The characteristics of a sample main system clock oscillator circuit shown in Table 1 are measured using an our oscillation characteristics evaluation board and external components with circuit constant values with which the resonator vendor confirmed normal and stable oscillation.

Table 1 shows the characteristics of a oscillator circuit when USB host function is not used. If USB host function is to be used, it is absolutely recommended to use a resonator that satisfies the precision and stability according to the USB standards (± 500 ppm)

Table 1 Characteristics of a Sample Main System Clock Oscillator Circuit with a Ceramic Resonator

Nominal Frequency	Vendor Name	Resonator Name	Circuit Constant			Operating Voltage Range [V]	Oscillation Stabilization Time		Remarks
			C1 [pF]	C2 [pF]	Rd1 [Ω]		typ [ms]	max [ms]	
12MHz	MURATA	CSTCE12M0GH5L**-R0	(33)	(33)	470	3.0 to 5.5	0.1	0.5	C1 and C2 integrated SMD type

The oscillation stabilization time is required for the oscillator to get stabilized in the following cases (see Figure 4):

- Until oscillation is stabilized after V_{DD} goes above the operating voltage lower limit
- Until oscillation is stabilized after the instruction for starting the main clock oscillator circuit is executed
- Until oscillation is stabilized after HOLD mode is released.
- Until oscillation is stabilized after X'tal HOLD mode is released with CFSTOP (OCR register, bit 0) set to 0 and oscillation is started.

Subsystem Clock Oscillation

Table 2 shows the characteristics of a sample subsystem clock oscillator circuit that are measured using an our oscillation characteristics evaluation board and external components with circuit constant values with which the resonator vendor confirmed normal and stable oscillation.

Table 2 Characteristics of a Sample Subsystem Clock Oscillator Circuit with a Crystal Resonator

Nominal Frequency	Vendor Name	Resonator Name	Circuit Constant				Operating Voltage Range [V]	Oscillation Stabilization Time		Remarks
			C3 [pF]	C4 [pF]	Rf [Ω]	Rd2 [Ω]		typ [s]	max [s]	
32.768kHz	EPSON TOYOCOM	MC-306	18	18	Open	680k	2.7 to 5.5	1.1	3.0	Applicable CL value=12.5pF SMD type

The oscillation stabilization time is required for the oscillator to get stabilized in the following cases (see Figure 4) :

- Until oscillation is stabilized after the instruction for starting the subclock oscillator circuit is executed
- Until oscillation is stabilized after HOLD mode is released with EXTOSC (OCR register, bit 6) set to 1 and oscillation is started.

Note : The components that are involved in oscillation should be placed as close to the IC and to one another as possible because they are vulnerable to the influences of the circuit pattern.

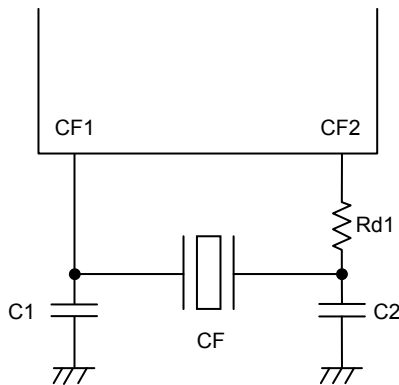


Figure 1 CF Oscillator Circuit

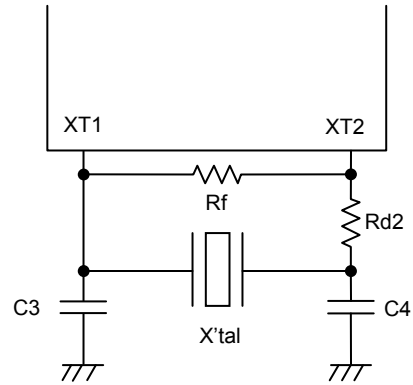


Figure 2 Crystal Oscillator Circuit

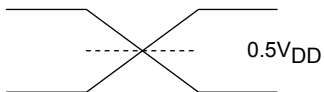


Figure 3 AC Timing Measurement Point

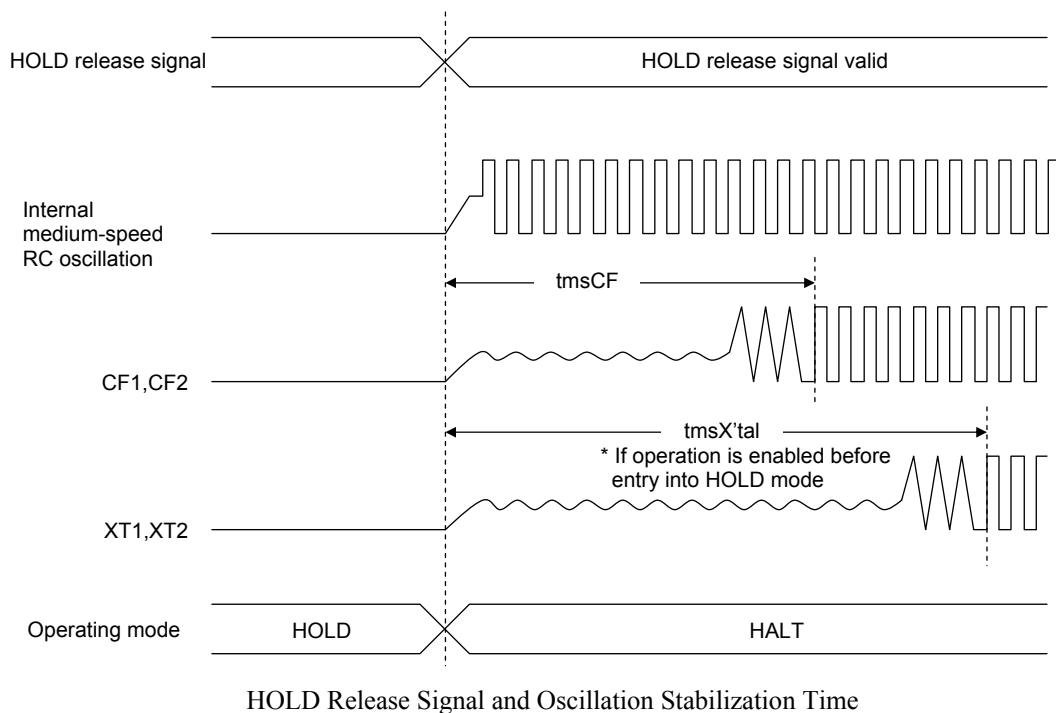
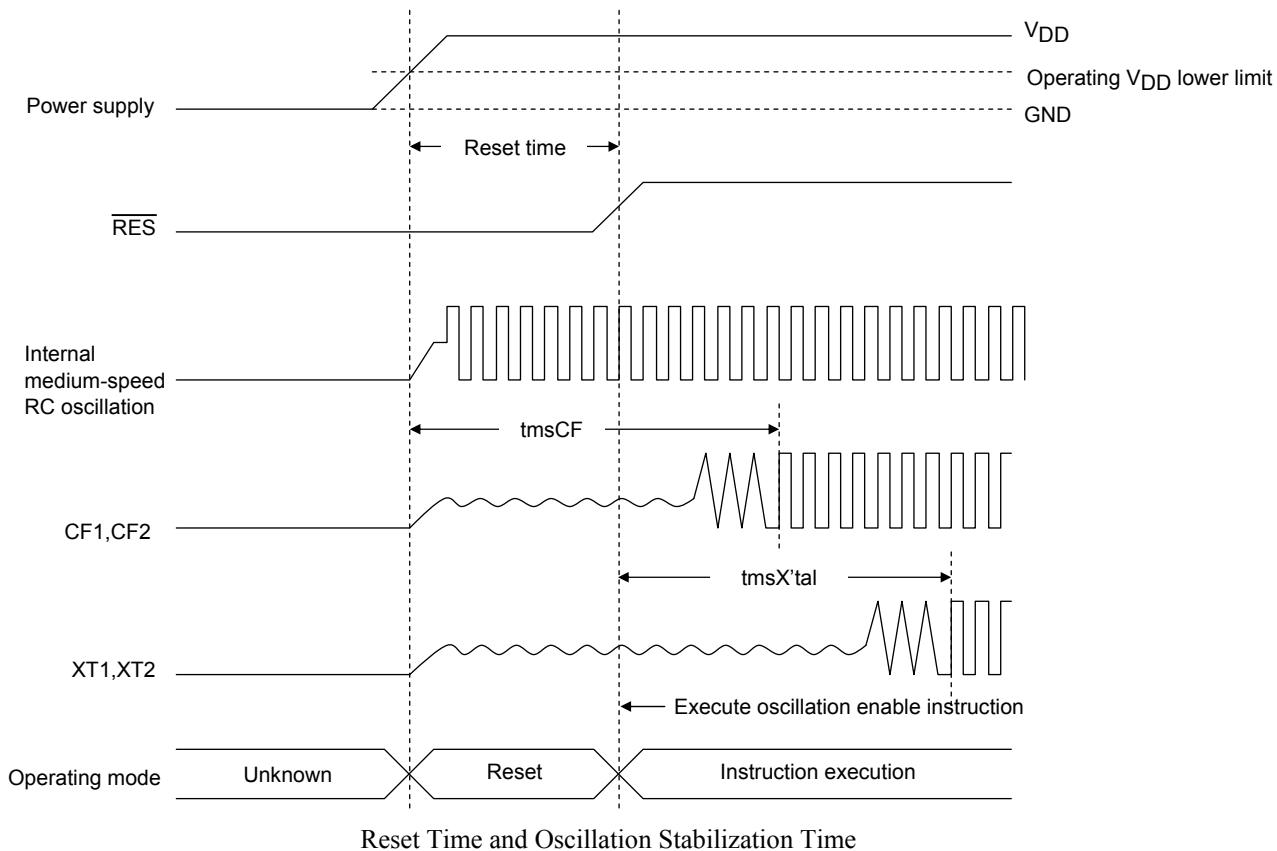
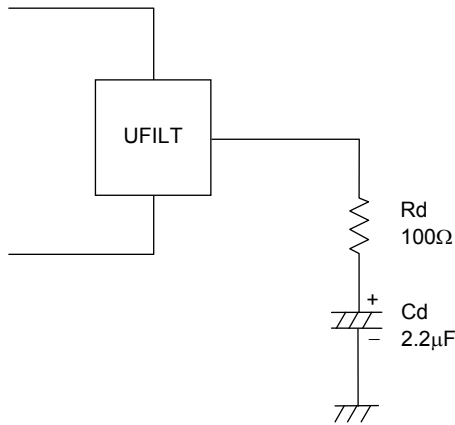
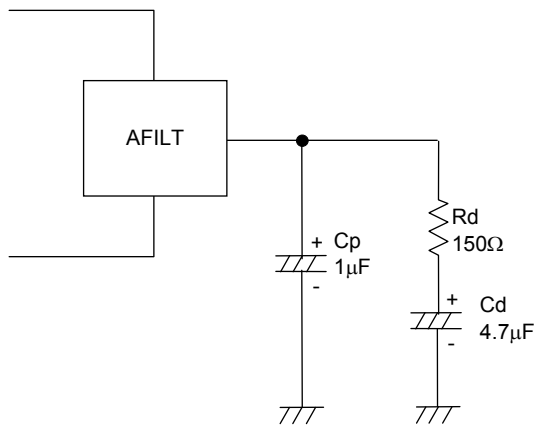


Figure 4 Oscillation Stabilization Time



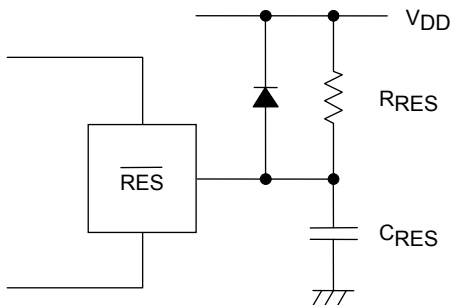
When using the internal PLL circuit to generate the 48MHz clock for USB, it is necessary to connect a filter circuit as shown in the left figure to the UFILT pin. After PLL is set, stabilization time of 20ms or longer must be secured.

Figure 5 External Filter Circuit for the Internal USB-dedicated PLL Circuit



To generate the master clock for the audio interface using the internal PLL circuit, it is necessary to connect a filter circuit as shown in the left figure to the AFILT pin.

Figure 6 External Filter Circuit for Audio Interface (Used with Internal PLL Circuit)



Note :
The external circuit differs depending on which of the power-on reset and low-voltage reset functions is to be used. Refer to the section on the reset functions in the user's manual.

Figure 7 Sample Reset Circuit

LC87F17C8A

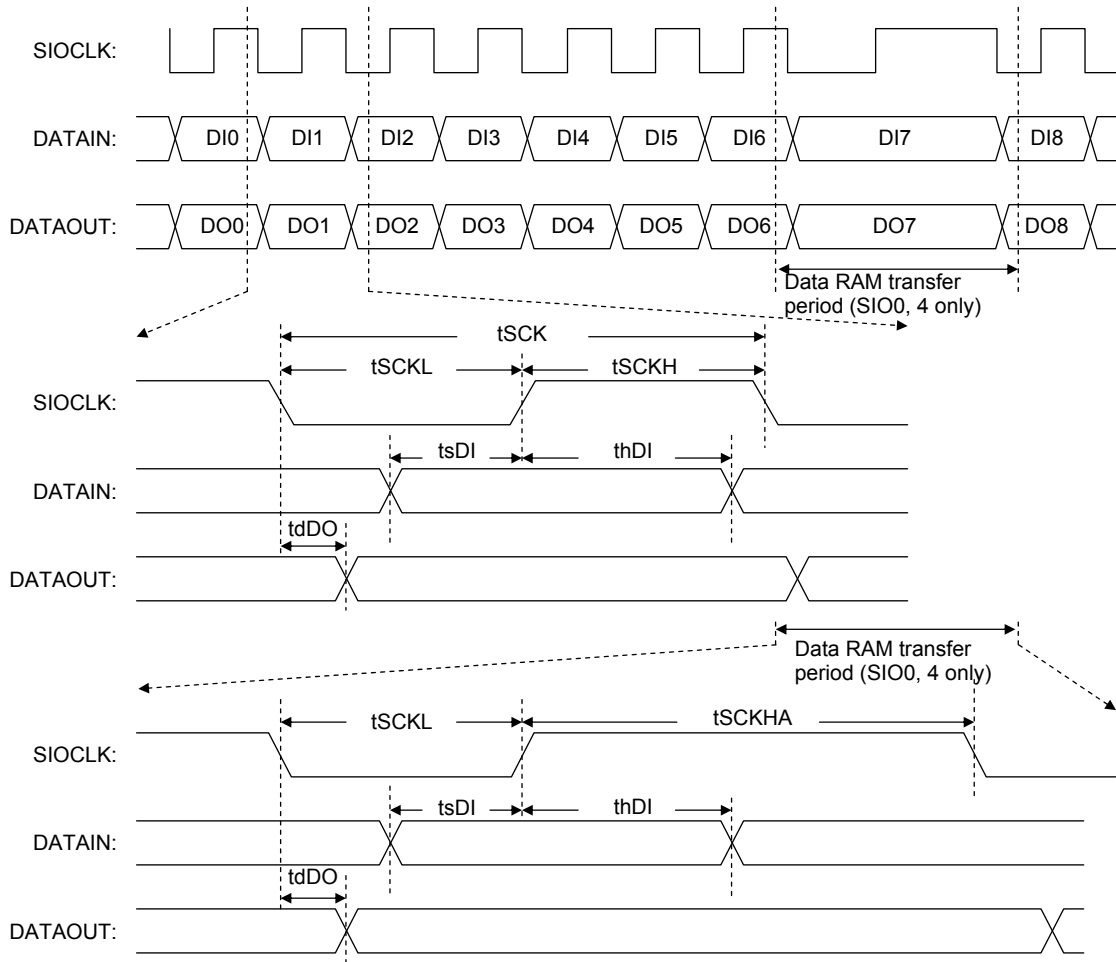


Figure 8 Serial I/O Waveform

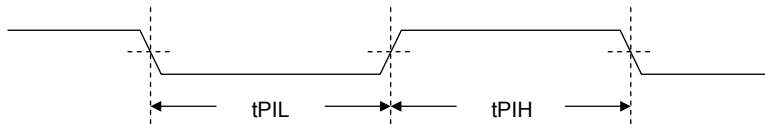


Figure 9 Pulse Input Timing Waveform

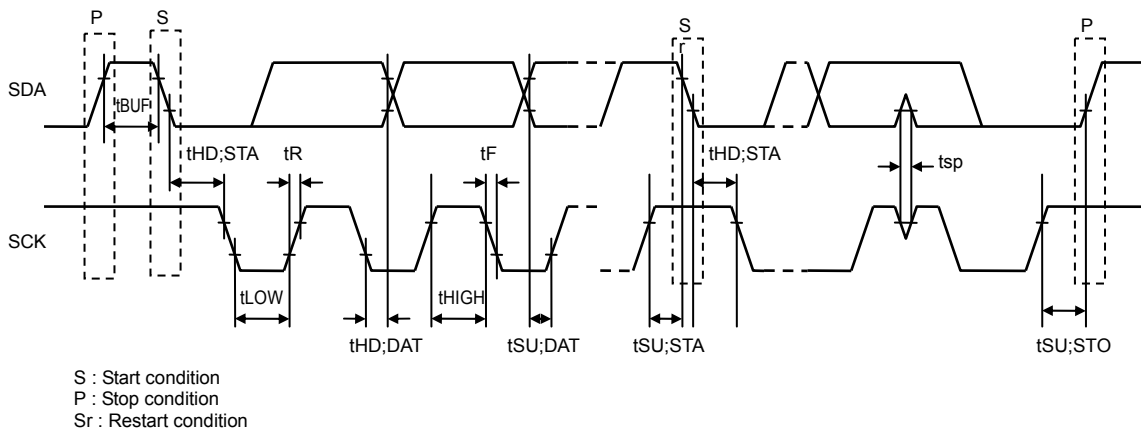


Figure 10 I²C Timing

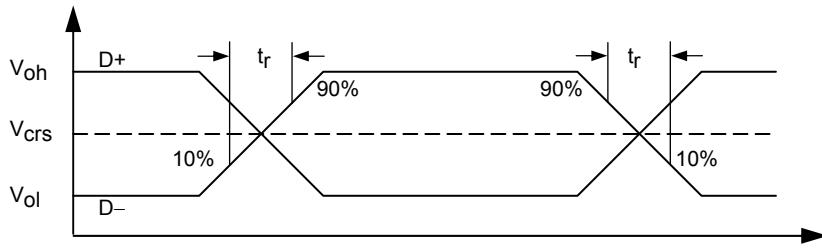


Figure 11 USB Data Signal Timing and Voltage Levels

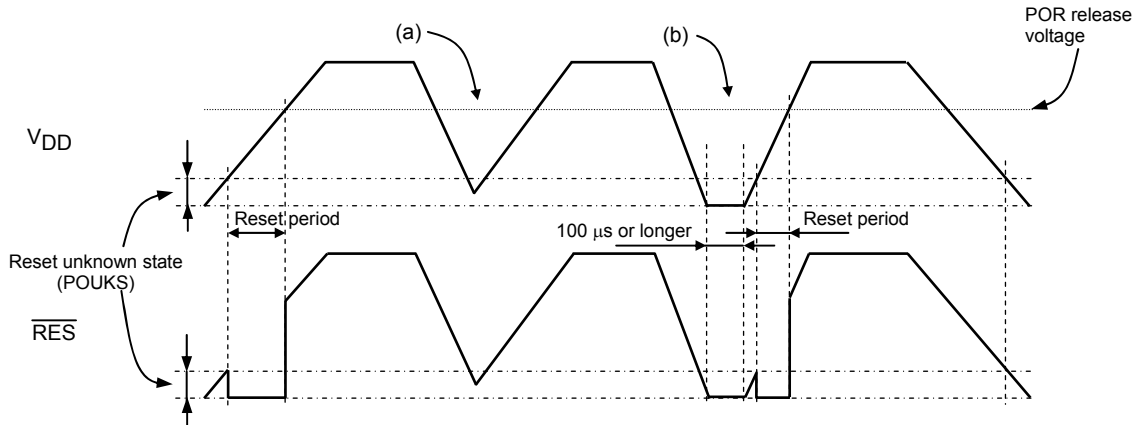


Figure 12 Sample Waveforms for POR-only (LVD deselected) Operation (Reset pin : Pull-up resistor P_{RES} only)

- The POR function generates a reset only when the power is turned on starting at the V_{SS} level.
- No stable reset will be generated if power is turned on again if the power level does not go down to the V_{SS} level as shown in (a). If such a case is anticipated, use the LVD function together with the POR function as explained below or implement an external reset circuit.
- A reset is generated only when power level goes down to the V_{SS} level as shown in (b) and power is turned on again after this condition continues for 100 μ s or longer.

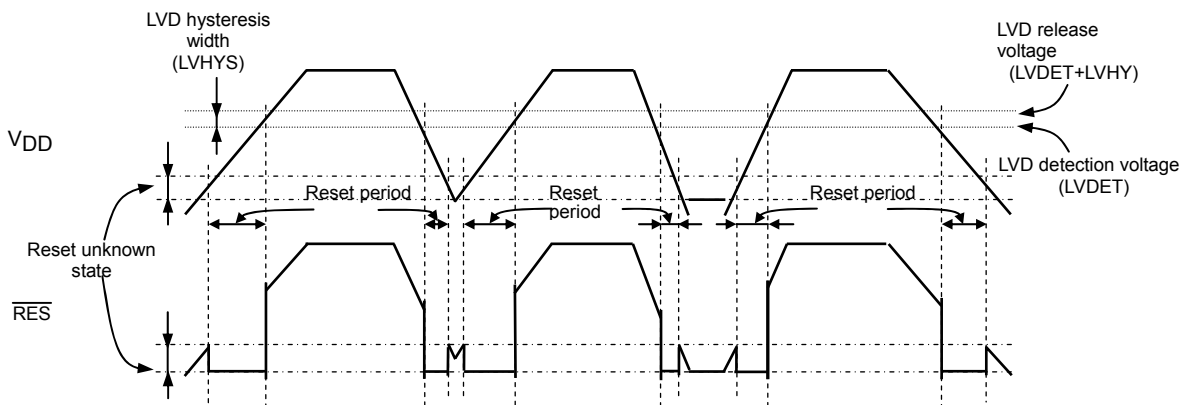


Figure 13 Sample Waveforms for POR+LVD Operation (Reset pin : Pull-up Resistor P_{RES} Only)

- A reset is generated both when power is turned on and when the power level lowers.
- A hysteresis width (LVHYS) is provided to prevent repetitions of reset release and entry cycles near the detection level.

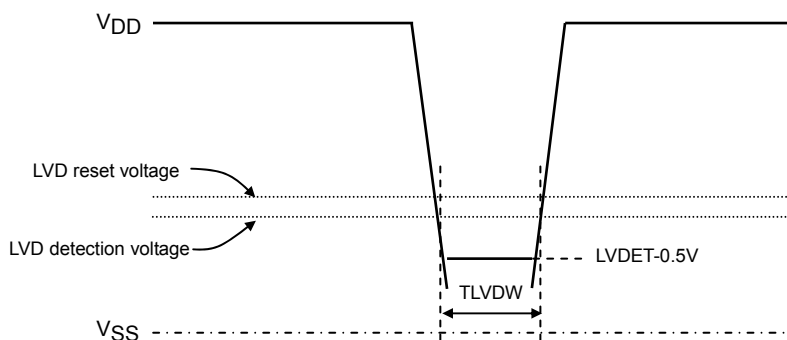


Figure 14 Minimum Low Voltage Detection Width (Sample Temporary Power Interruption/Fluctuation Waveform)

ORDERING INFORMATION

Device	Package	Shipping (Qty / Packing)
LC87F17C8AUWA-2H	SPQFT48 7x7 / SQFP48 (Pb-Free / Halogen Free)	2500 / Tray JEDEC

ON Semiconductor and the ON logo are registered trademarks of Semiconductor Components Industries, LLC (SCILLC) or its subsidiaries in the United States and/or other countries. SCILLC owns the rights to a number of patents, trademarks, copyrights, trade secrets, and other intellectual property. A listing of SCILLC's product/patent coverage may be accessed at www.onsemi.com/site/pdf/Patent-Marking.pdf. SCILLC reserves the right to make changes without further notice to any products herein. SCILLC makes no warranty, representation or guarantee regarding the suitability of its products for any particular purpose, nor does SCILLC assume any liability arising out of the application or use of any product or circuit, and specifically disclaims any and all liability, including without limitation special, consequential or incidental damages. "Typical" parameters which may be provided in SCILLC data sheets and/or specifications can and do vary in different applications and actual performance may vary over time. All operating parameters, including "Typicals" must be validated for each customer application by customer's technical experts. SCILLC does not convey any license under its patent rights nor the rights of others. SCILLC products are not designed, intended, or authorized for use as components in systems intended for surgical implant into the body, or other applications intended to support or sustain life, or for any other application in which the failure of the SCILLC product could create a situation where personal injury or death may occur. Should Buyer purchase or use SCILLC products for any such unintended or unauthorized application, Buyer shall indemnify and hold SCILLC and its officers, employees, subsidiaries, affiliates, and distributors harmless against all claims, costs, damages, and expenses, and reasonable attorney fees arising out of, directly or indirectly, any claim of personal injury or death associated with such unintended or unauthorized use, even if such claim alleges that SCILLC was negligent regarding the design or manufacture of the part. SCILLC is an Equal Opportunity/Affirmative Action Employer. This literature is subject to all applicable copyright laws and is not for resale in any manner.