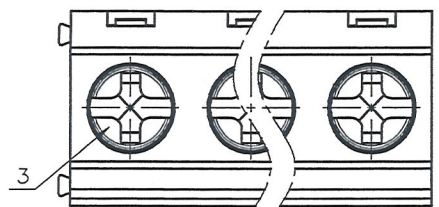


REVISION RECORD				
REV	ECN	DESCRIPTION	DRFT	DATE
△	17-0151	Modify the wire diameter according to IEC certificate	Jay.z	2017/08/04



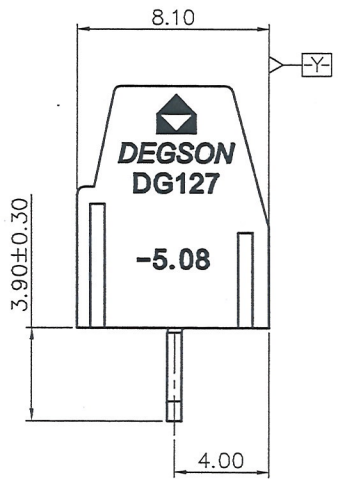
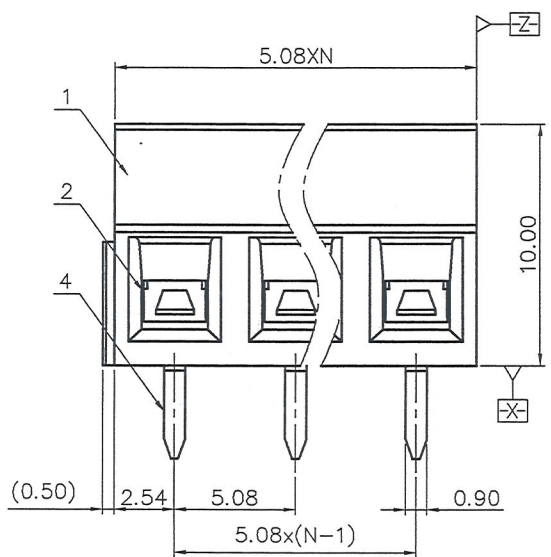
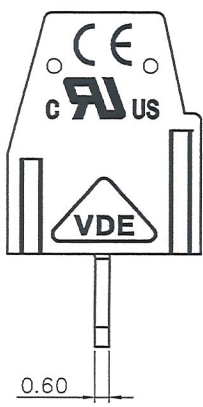
NOTES1:
 UL Standard
 1.Rated Voltage/Current : 300V / 12A
 2.Torque Value : M3 , 2P 3.04 Lb.in
 ≥3P 4.43 Lb.in
 3.Wire Range : 26~14AWG

IEC Standard
 1.Rated Voltage/Current : 250V / 15A
 2.Torque Value : M3 , 2P 0.34 N·m
 ≥3P 0.5 N·m
 △ 3.Wire Range : 0.75~1.5mm²

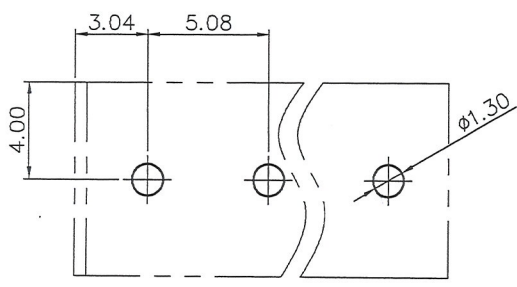
NOTES2:
 1.Dimension shall be interpreted per ASME Y14.5-2009
 2.Pitch : 5.08mm, Poles : N=02~24P
 3.Stripping length : 6-7mm
 4.Withstanding Voltage : AC2000V/1Min.
 5.Operating temperature : -40°C~+105°C
 6.Undimensioned Tolerances:

Pitch Range In mm	Nominal Dimension Range In mm				-	∩	∇
	Over TO	Over TO	Over TO	Over TO			
6 TO 10	6 TO 10	10 TO 24	30 TO 60	60 TO 100	100 TO 150	0.1/10	<
±0.15	±0.20	±0.30	±0.30	±0.50	±0.70	±1.00	±1.30

7.RoHS Compliance



DG127 - 5.08 - XXP - 1Y - 1002A (H)
 (Series No.) (Pitch) (Poles) (Single Pitch) (Color): 1.(Grey) 6.(Red)
 2.(Blue) 7.(Transparent)
 3.(Black) 8.(Yellow)
 4.(Green) 9.(White)
 5.(Orange)



PCB LAYOUT

ITEM	NAME OF PART	MATERIAL	NOTES
4	Pin header	Copper alloy	Sn Plated
3	Screw	Steel	M3/Zn Plated
2	Cage	Copper alloy	M3/Ni Plated
1	Housing	PA66	UL94V-0

PART NO.: /		宁波高松电子有限公司 NINGBO DEGSON ELECTRICAL CO., LTD	
APPD: Frank2017.09.09		NAME: DG127-5.08-XXP-1Y-1002A(H)	
CHKD: Jay.z 2017/9/8		TITLE: CUSTOMER DRAWING	
DRFT: WYJ 2014/09/28		REV	T1
THIRD ANGLE PROJECTION		DRAWING NO.: DG127-5.08-C34	
		SHEET	1/1
MM (INCH)		DO NOT SCALE DRAWING	SCALE 1:1

H
G
F
E
D
C
B
A

H
G
F
E
D
C
B
A