

P.C.B LAND DIMENSION



GT-TC029X-HXXX-LXA

G-SWITCH

Operating Force
 A=160gf
 B=250gf
 C=100gf
 D=400gf

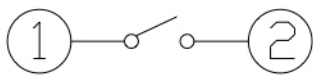
A=Base With Pilot
 N=Non Pilot

Switch Height (mm)
 H020=2.0mm
 H025=2.5mm
 H030=3.0mm

Switch lifetime (Force)
 L1=100,000 Cycles

G-Switch Specification:

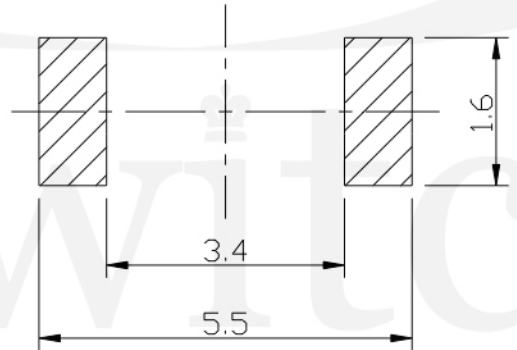
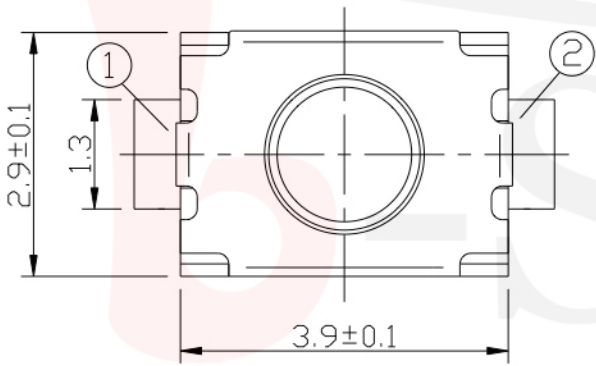
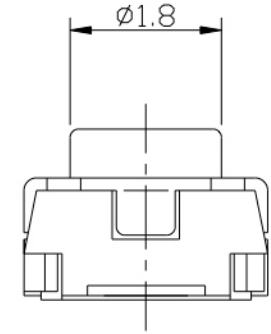
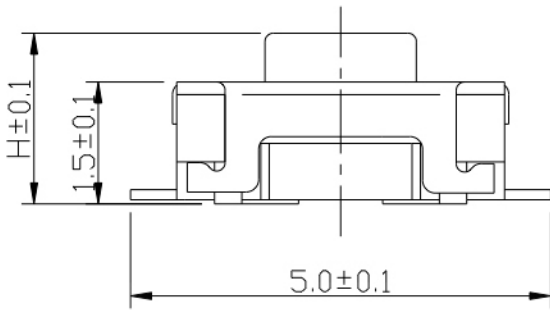
Operating temperature range : -30°Cto+85°C
 Rating : 50mA.12V DC
 Insulation resistance : 100MΩ min.100V DC
 Dielectric strength : 250V AC for 1 min
 Contact resistance : 100m Ω max.
 Travel:0.15±0.05mm



CIRCUIT DIAGRAM



| | | | |
|--|--|--|---|
| | G-Switch Electronic (HongKong) CO.,Ltd. | | |
| | DESIGN FengFengChen | DATE 2019.05.29 | Molde code: GT-TC029X-HXXX-LXA |
| | CHECKED | DATE | |
| | APPROVED | DATE | REV.: X1 SCALE: 4:1 UNIT: mm SIZE: A4 SHEET: 1/1 |
| Unless otherwise specified, Tolerance: X. ±0.30 X.x ±0.20 X.xx ±0.15 X.xxx ±0.10 Angles ±3° | | http://www.dg-switch.com TEL:0769-82388879 | |



P.C.B LAND DIMENSION



GT-TC029X-HXXX-LXN

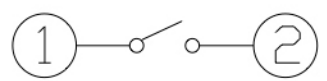
G-SWITCH

Operating Force
 A=160gf
 B=250gf
 C=100gf
 D=400gf

Switch Height (mm)
 H020=2.0mm
 H025=2.5mm
 H030=3.0mm

Switch lifetime (Force)
 L1=100,000 Cycles

A=Base With Pilot
 N=Non Pilot



CIRCUIT DIAGRAM



G-Switch Specification:

Operating temperature range : -30°Cto+85°C
 Rating : 50mA.12V DC
 Insulation resistance : 100MΩ min.100V DC
 Dielectric strength : 250V AC for 1 min
 Contact resistance : 100m Ω max.
 Travel:0.15±0.05mm

| | | | |
|--|--|--|---|
| | G-Switch Electronic (HongKong) CO.,Ltd. | | |
| | DESIGN FengFengChen | DATE 2019.05.29 | Molde code: GT-TC029X-HXXX-LXN |
| | CHECKED | DATE | |
| | APPROVED | DATE | REV.: X1 SCALE: 4:1 UNIT: mm SIZE: A4 SHEET: 1/1 |
| Unless otherwise specified, Tolerance: X. ±0.30 X.x ±0.20 X.xx ±0.15 X.xxx ±0.10 Angles ±3° | | http://www.dg-switch.com TEL:0769-82388879 | |