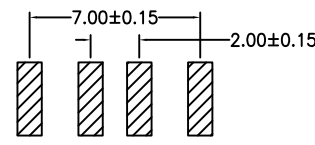
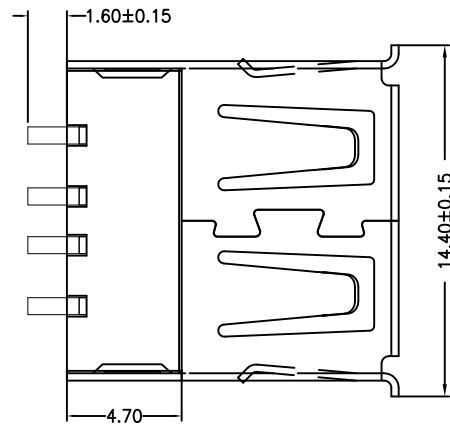
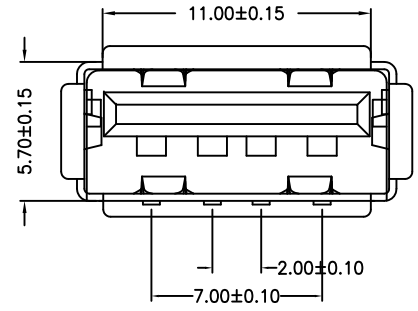
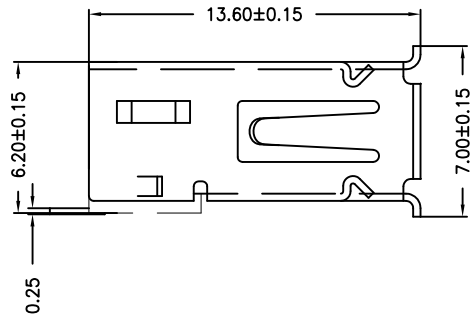


A/F无后盖有边直脚/SMT (5.85)

目錄 MAPX	设变内容 MODIFICATION	日期 DATE



RBCOMMENDBD P.C.B PATTBRN LAYO UT

备注：侧弹分为外弹与内弹

NOTES:

- Housing: Thermoplastics,UL94V-0
- Contact: Copper Alloy
- Shell: Copper Alloy/Steel
- Voltage Current Rating:1.5 AMP. 30V AC
- Insulation Resistance:1000MΩ Min.
- Contact Resistance: 30 MΩ Max.
- Dielectric Withstanding Voltage:500W AC
- Temperature Range:-35°C to +85°C
- Insulator color: Black/White
- Plastic material:PBT/LCP/Others
- Shell finish:Nickel plated/Tin-Lead plated
- Mechanical:
- Mating Force: 3.5KG MAX
- Unmating Force:0.7 KG MIN.
- Contact finish:
 - 01: Selective Gold Flash
 - 02: Selective Gold 3U”
 - 03: Selective Gold 5U”
 - 04: Selective Gold 15U”
 - 05: Selective Gold 30U”

产品图 PRODUCT CHART DWG				深圳市精拓金电子有限公司						
公差一览表 TOLERANCE UNLESS OTHERWISE				单位 UNITS	MM	制图 DRAWING	尹先华	产品料号 PRODUCT PART NO.	903-431A1014S10100	
X.	±0.35	X'	±5'	比例 SCALE	1:1	审核 CHKD	郭志富	产品名称 PRODUCT NO.	AF无后盖无脚有边内弹铁壳一型	
.XX	±0.25	.XX'	±2'						5.85PBT白胶SMT 高6.2	
.XXX	±0.15	.XXX'	±1'	日期 DATE	2014/05/24	核准 APPD	黄国荣	角法 VIEW	版本 VER	A0