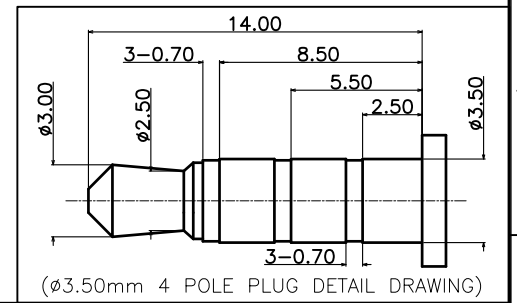
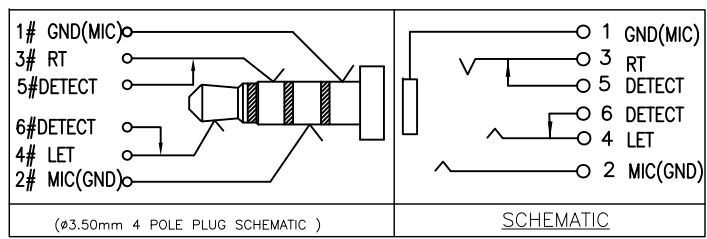
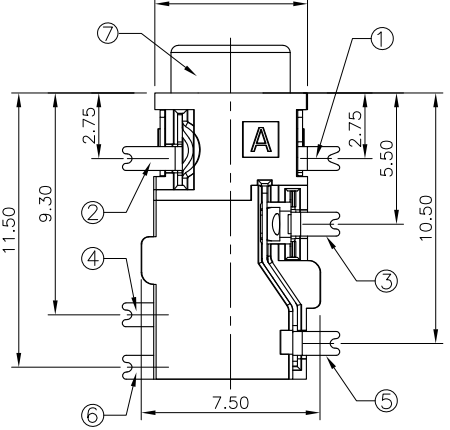


- NOTES:
- REQUEST OF THE SPECIFICATION:
 - CONTACT CURRENT RATING: 1A.;
 - CONTACT RESISTANCE: 100 mΩ MAX.;
 - INSULATION RESISTANCE: 100MΩ MIN.;
 - DIELECTRIC WITHSTANDING: 500V AC MIN.;
 - DURABILITY: 5,000 CYCLES MIN.;
 - CONNECTOR MATING FORCES: 29.8N (3.00kgf) MAX.;
 - CONNECTOR UNMATING FORCES: 2.98N(0.30kgf) MIN.;



b-Switch 品贊科技®

G-Switch Electronic (HongKong) CO.,Ltd.

DESIGN Bright Lee	DATE 2016.05.29	MoIde code:
CHECKED	DATE	PJ-342C
APPROVED	DATE	
http://www.dg-switch.com		REV.: X1
TEL:0769-82388879	SCALE: 4:1	UNIT: mm
	SHEET: 1/1	