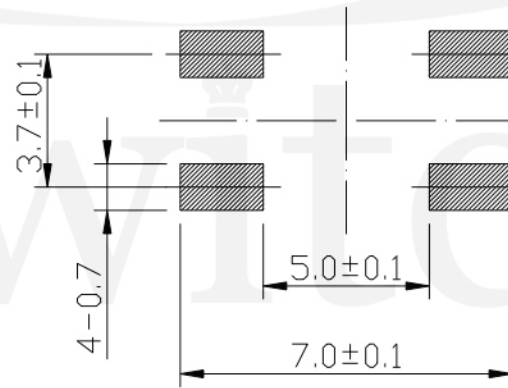
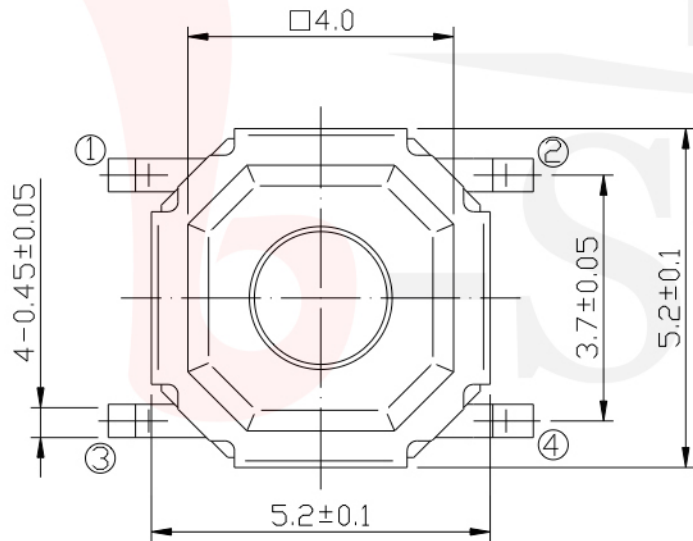


REFERENCE DRAWING



GT-TC084X-HXXX-LX



P.C.B LAND DIMENSION

G-SWITCH

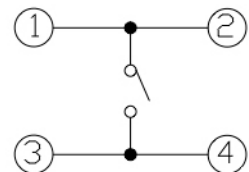
**Operating Force**  
 A=160gf  
 B=250gf  
 C=100gf  
 E=130gf

**Switch Height (mm)**  
 H015=1.5 H016=1.6  
 H017=1.7 H020=2.0  
 H025=2.5 H030=3.0  
 H035=3.5 H040=4.0  
 H045=4.5 H050=5.0

**Switch lifetime (Force)**  
 L1=100,000 Cycles  
 L3=300,000 Cycles  
 L5=500,000 Cycles  
 L10=1,000,000 Cycles

**G-Switch Specification:**

Operating temperature range : -30°Cto+85°C  
 Rating : 50mA.12V DC  
 Insulation resistance : 100MΩ min.100V DC  
 Dielectric strength : 250V AC for 1 min  
 Contact resistance : 100m Ω max.  
 Travel:0.25±0.1mm



CIRCUIT DIAGRAM

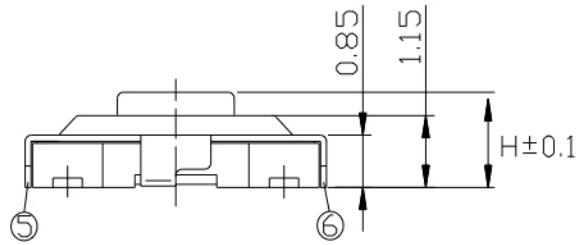
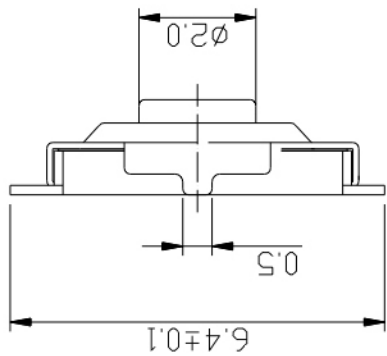


G-Switch Electronic (HongKong) CO.,Ltd.

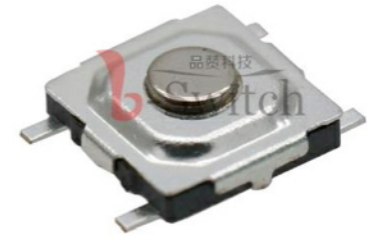
Unless otherwise specified, Tolerance:  
 X. ±0.30  
 X.x ±0.20  
 X.xx ±0.15  
 X.xxx ±0.10  
 Angles ±3°

DESIGN FengFengChen DATE 2019.05.29  
 CHECKED DATE  
 APPROVED DATE  
<http://www.dg-switch.com>  
 TEL:0769-82388879

Molde code:  
 GT-TC084X-HXXX-LX  
 REV.: X1 SCALE: 4:1 UNIT: mm  
 SIZE: A4 SHEET: 1/1



REFERENCE DRAWING



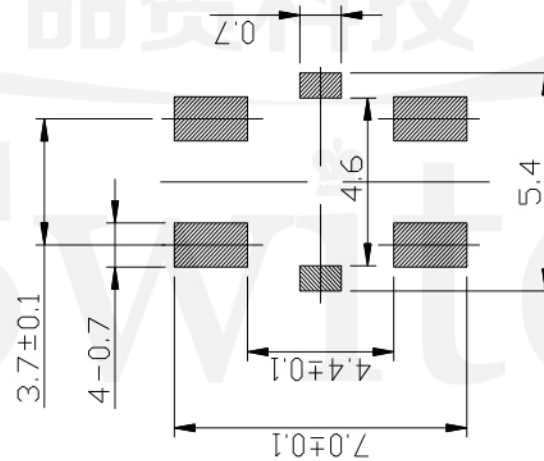
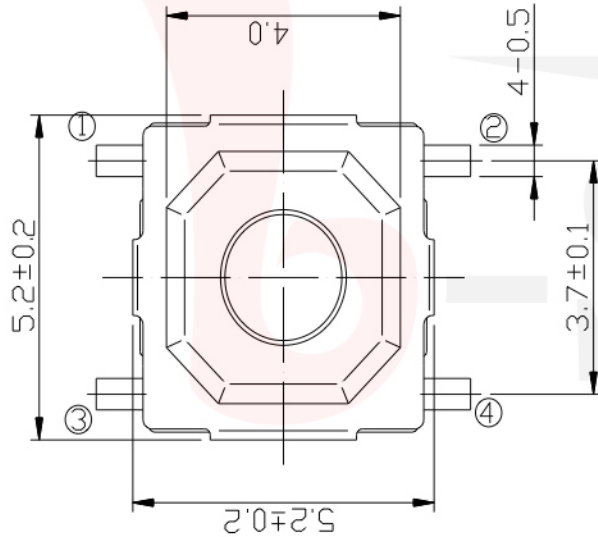
**GT-TCA84X-HXXX-LX**

G-SWITCH

**Operating Force**  
 A=160gf  
 B=250gf  
 C=100gf  
 E=130gf

**Switch Height (mm)**  
 H015=1.5 H016=1.6  
 H017=1.7 H020=2.0  
 H025=2.5 H030=3.0  
 H035=3.5 H040=4.0  
 H045=4.5 H050=5.0

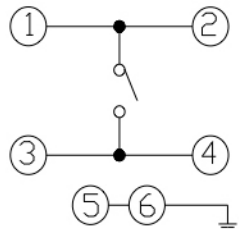
**Switch lifetime (Force)**  
 L1=100,000 Cycles  
 L3=300,000 Cycles  
 L5=500,000 Cycles  
 L10=1,000,000 Cycles



P.C.B LAND DIMENSION

**G-Switch Specification:**

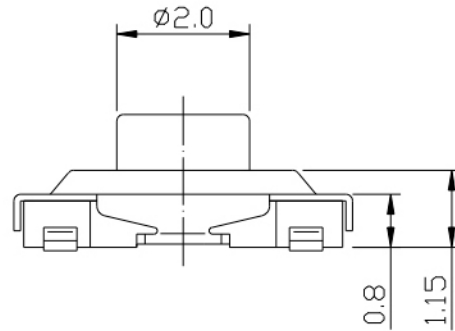
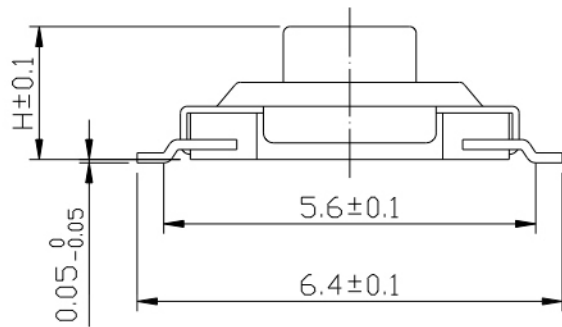
Operating temperature range : -30°C to +85°C  
 Rating : 50mA, 12V DC  
 Insulation resistance : 100MΩ min. 100V DC  
 Dielectric strength : 250V AC for 1 min  
 Contact resistance : 100m Ω max.  
 Travel: 0.25±0.1mm



CIRCUIT DIAGRAM



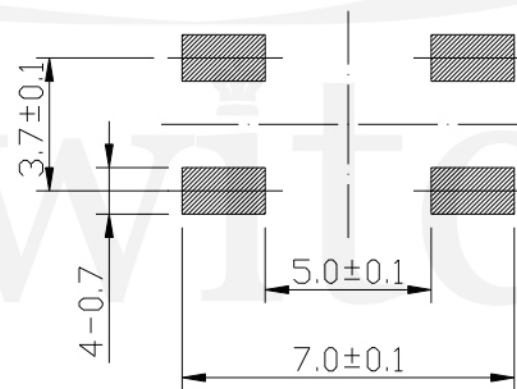
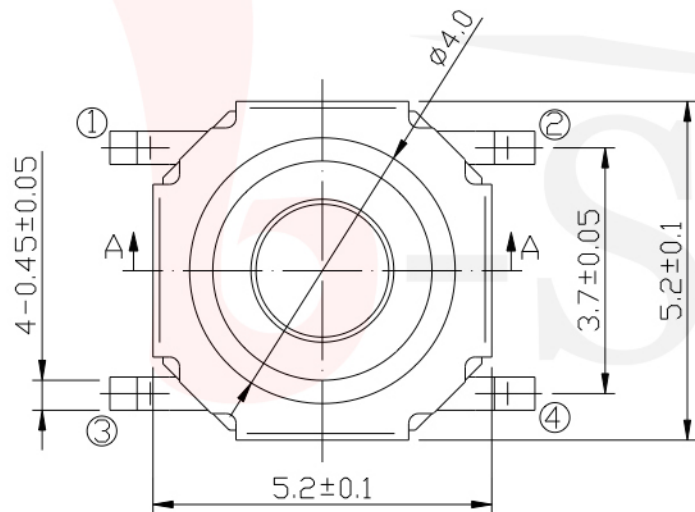
	<b>G-Switch Electronic (HongKong) CO.,Ltd</b>		
	DESIGN 陈锋枫 CHECKED APPROVED <a href="http://www.dg-switch.com">http://www.dg-switch.com</a> TEL:0769-82388879	DATE 2019.05.29 DATE DATE http://www.dg-switch.com	Molde code: GT-TCA84X-HXXX-LX REV.: X1 SCALE: 4:1 UNIT: mm SIZE: A4 SHEET: 1/1



REFERENCE DRAWING



GT-TCB84X-HXXX-LX



P.C.B LAND DIMENSION

G-SWITCH



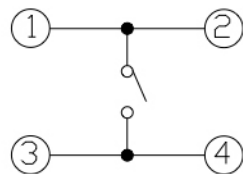
**Operating Force**  
 A=160gf  
 B=250gf  
 C=100gf  
 E=130gf

**Switch Height (mm)**  
 H015=1.5 H016=1.6  
 H017=1.7 H020=2.0  
 H025=2.5 H030=3.0  
 H035=3.5 H040=4.0  
 H045=4.5 H050=5.0

**Switch lifetime (Force)**  
 L1=100,000 Cycles  
 L3=300,000 Cycles  
 L5=500,000 Cycles  
 L10=1,000,000 Cycles

**G-Switch Specification:**

Operating temperature range : -30°Cto+85°C  
 Rating : 50mA.12V DC  
 Insulation resistance : 100MΩ min.100V DC  
 Dielectric strength : 250V AC for 1 min  
 Contact resistance : 100m Ω max.  
 Travel:0.25±0.1mm



CIRCUIT DIAGRAM



G-Switch Electronic (HongKong) CO.,Ltd.

Unless otherwise specified, Tolerance:  
 X. ±0.30  
 X.x ±0.20  
 X.xx ±0.15  
 X.xxx ±0.10  
 Angles ±3°

DESIGN FengFengChen DATE 2019.05.29  
 CHECKED DATE  
 APPROVED DATE  
<http://www.dg-switch.com>  
 TEL:0769-82388879

Molde code:  
 GT-TCB84X-HXXX-LX  
 REV.: X1 SCALE: 4:1 UNIT: mm  
 SIZE: A4 SHEET: 1/1