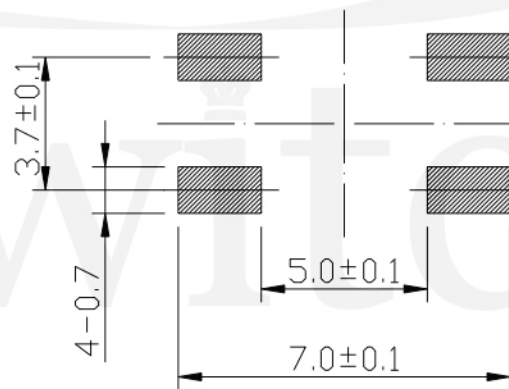
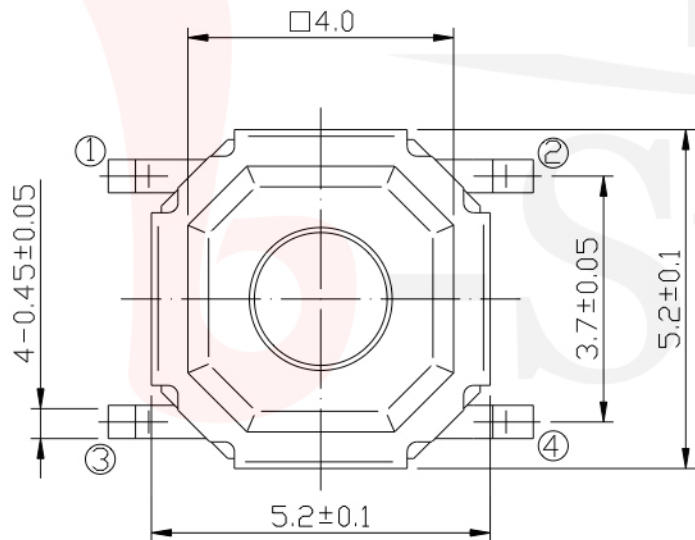


REFERENCE DRAWING



GT-TC084X-HXXX-LX



P.C.B LAND DIMENSION

G-SWITCH

Operating Force

- A=160gf
- B=250gf
- C=100gf
- E=130gf

Switch Height (mm)

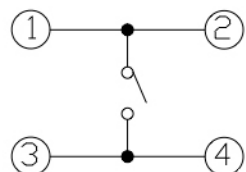
- H015=1.5 H016=1.6
- H017=1.7 H020=2.0
- H025=2.5 H030=3.0
- H035=3.5 H040=4.0
- H045=4.5 H050=5.0

Switch lifetime (Force)

- L1=100,000 Cycles
- L3=300,000 Cycles
- L5=500,000 Cycles
- L10=1,000,000 Cycles

G-Switch Specification:

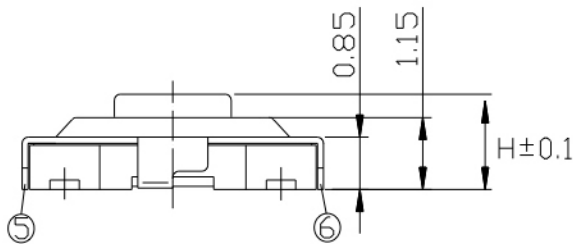
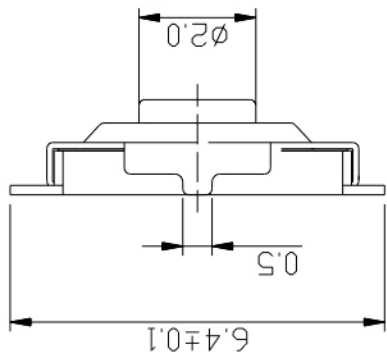
- Operating temperature range : -30°Cto+85°C
- Rating : 50mA.12V DC
- Insulation resistance : 100MΩ min.100V DC
- Dielectric strength : 250V AC for 1 min
- Contact resistance : 100m Ω max.
- Travel:0.25±0.1mm



CIRCUIT DIAGRAM



	G-Switch Electronic (HongKong) CO.,Ltd.		
	DESIGN FengFengChen	DATE 2019.05.29	Molde code:
Unless otherwise specified, Tolerance:	CHECKED	DATE	GT-TC084X-HXXX-LX
X. ±0.30	APPROVED	DATE	
X.x ±0.20	http://www.dg-switch.com		REV.: X1
X.xx ±0.15	TEL:0769-82388879		SCALE: 4:1
X.xxx ±0.10			UNIT: mm
Angles ±3°			SIZE: A4
			SHEET: 1/1



REFERENCE DRAWING



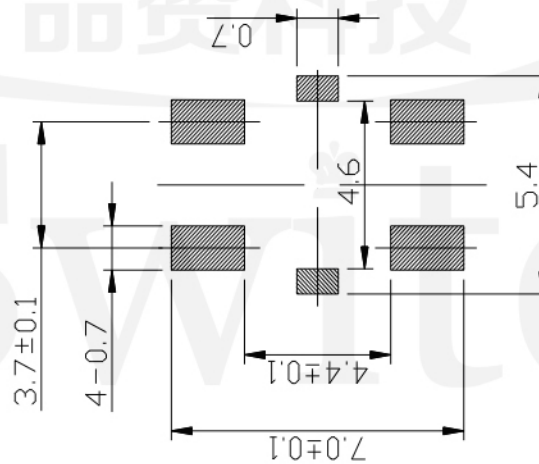
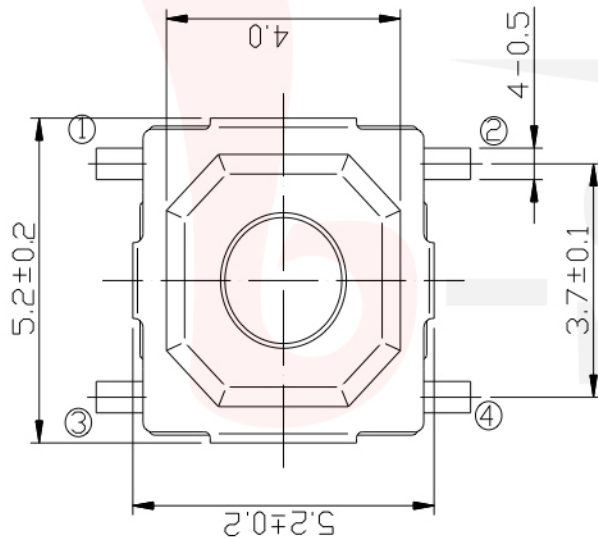
GT-TCA84X-HXXX-LX

G-SWITCH

Operating Force
 A=160gf
 B=250gf
 C=100gf
 E=130gf

Switch Height (mm)
 H015=1.5 H016=1.6
 H017=1.7 H020=2.0
 H025=2.5 H030=3.0
 H035=3.5 H040=4.0
 H045=4.5 H050=5.0

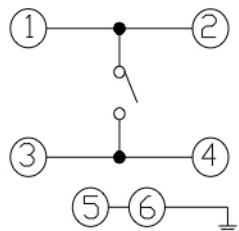
Switch lifetime (Force)
 L1=100,000 Cycles
 L3=300,000 Cycles
 L5=500,000 Cycles
 L10=1,000,000 Cycles



P.C.B LAND DIMENSION

G-Switch Specification:

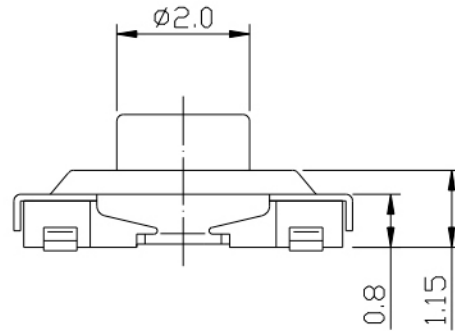
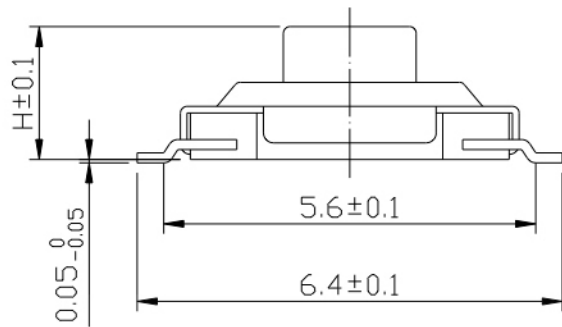
Operating temperature range : -30°C to +85°C
 Rating : 50mA, 12V DC
 Insulation resistance : 100MΩ min. 100V DC
 Dielectric strength : 250V AC for 1 min
 Contact resistance : 100mΩ max.
 Travel: 0.25±0.1mm



CIRCUIT DIAGRAM



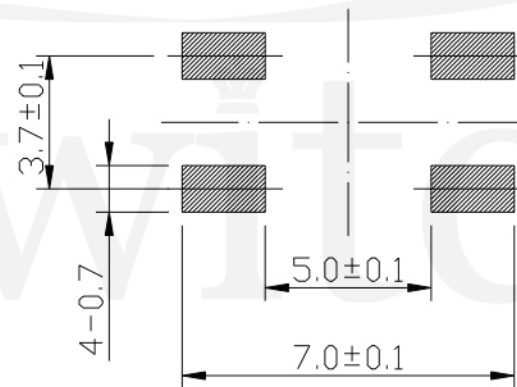
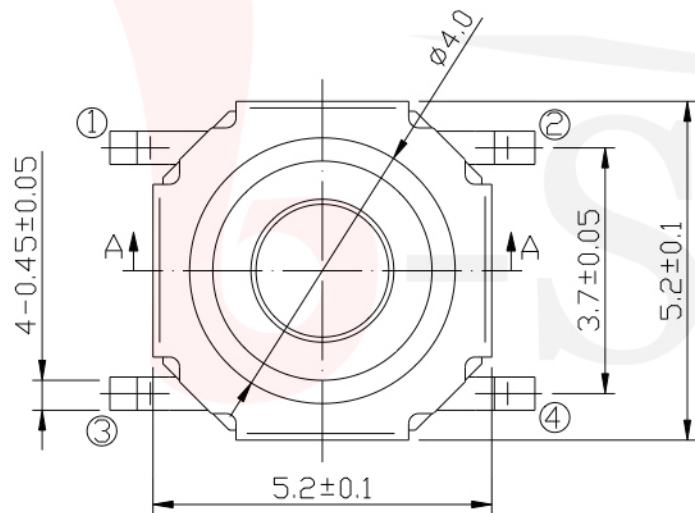
	G-Switch Electronic (HongKong) CO.,Ltd		
	Unless otherwise specified, Tolerance: X. ±0.30 X.x ±0.20 X.xx ±0.15 X.xxx ±0.10 Angles ±3°	DESIGN 陈锋枫 DATE 2019.05.29 CHECKED DATE APPROVED DATE	Molde code: GT-TCA84X-HXXX-LX
http://www.dg-switch.com TEL:0769-82388879	http://www.dg-switch.com	REV.: X1 SCALE: 4:1 UNIT: mm SIZE: A4 SHEET: 1/1	



REFERENCE DRAWING



GT-TCB84X-HXXX-LX



P.C.B LAND DIMENSION

G-SWITCH

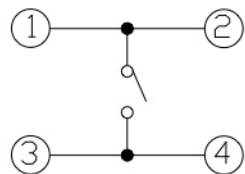
Operating Force
 A=160gf
 B=250gf
 C=100gf
 E=130gf

Switch Height (mm)
 H015=1.5 H016=1.6
 H017=1.7 H020=2.0
 H025=2.5 H030=3.0
 H035=3.5 H040=4.0
 H045=4.5 H050=5.0

Switch lifetime (Force)
 L1=100,000 Cycles
 L3=300,000 Cycles
 L5=500,000 Cycles
 L10=1,000,000 Cycles

G-Switch Specification:

Operating temperature range : -30°Cto+85°C
 Rating : 50mA.12V DC
 Insulation resistance : 100MΩ min.100V DC
 Dielectric strength : 250V AC for 1 min
 Contact resistance : 100m Ω max.
 Travel:0.25±0.1mm



CIRCUIT DIAGRAM



G-Switch Electronic (HongKong) CO.,Ltd.

Unless otherwise specified, Tolerance:
 X. ±0.30
 X.x ±0.20
 X.xx ±0.15
 X.xxx ±0.10
 Angles ±3°

DESIGN FengFengChen DATE 2019.05.29
 CHECKED DATE
 APPROVED DATE
<http://www.dg-switch.com>
 TEL:0769-82388879

Molde code:
 GT-TCB84X-HXXX-LX
 REV.: X1 SCALE: 4:1 UNIT: mm
 SIZE: A4 SHEET: 1/1