

FEATURES:

- 0.5 MICRON CMOS Technology
- Typical $t_{sk(o)}$ (Output Skew) < 250ps
- ESD > 2000V per MIL-STD-883, Method 3015; > 200V using machine model (C = 200pF, R = 0)
- $V_{CCA} = 2.7V$ to $3.6V$
- $V_{CCB} = 5V \pm 0.5V$
- CMOS power levels ($0.4\mu W$ typ. static)
- Rail-to-Rail output swing for increased noise margin
- Available in SSOP and TSSOP packages

DRIVE FEATURES:

- High Output Drivers: $\pm 24mA$
- Suitable for heavy loads

DESCRIPTION:

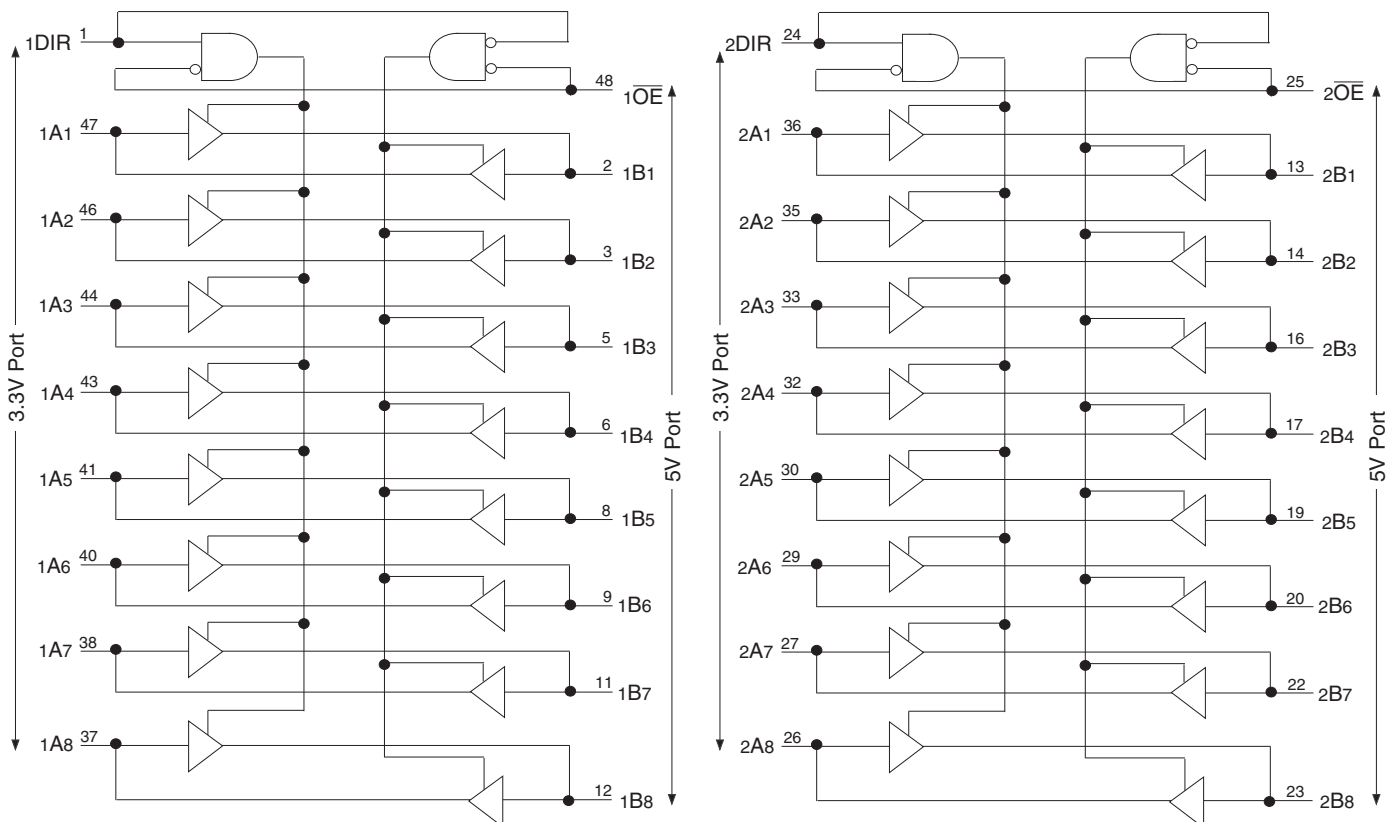
This 16-bit 3.3V to 5V level shifting transceiver is manufactured using advanced dual metal CMOS technology. The ALVC164245 contains two separate supply rails; B port has V_{CCB} , which is set at 5V, and A port has V_{CCA} , which is set to operate at 3.3V. This allows for translation from a 3.3V to 5V environment and vice-versa. This device is designed for asynchronous communication between data buses.

The ALVC164245 has been designed with a $\pm 24mA$ output driver. This driver is capable of driving a moderate to heavy load while maintaining speed performance.

APPLICATIONS:

- Mixed 3.3V and 5V High Speed Systems
- 5V PCI Interface to 3.3V PC Bus Structures
- Telecommunication Legacy Systems with transitions from 5V to 3.3V

FUNCTIONAL BLOCK DIAGRAM

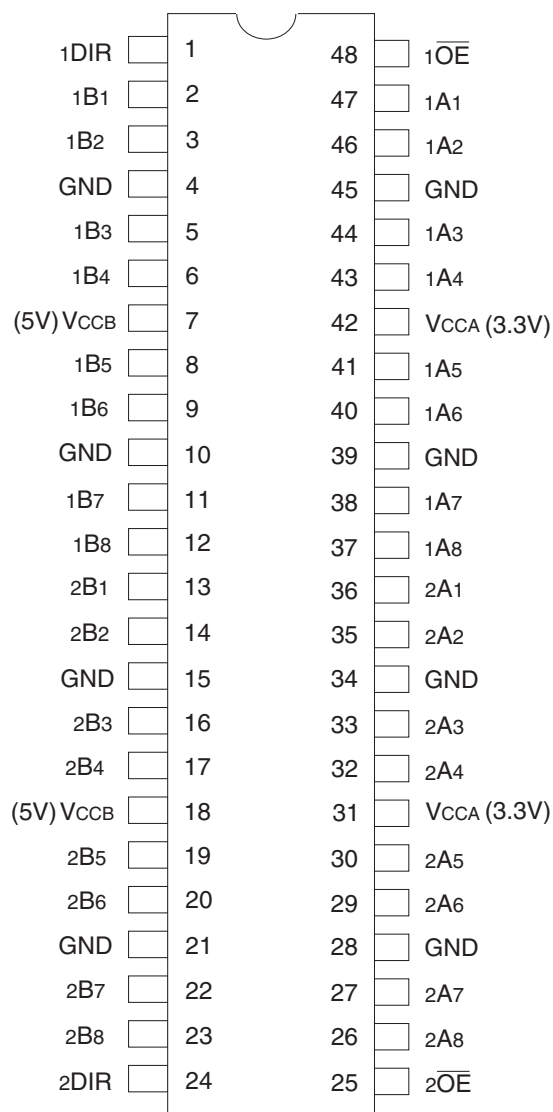


IDT and the IDT logo is a registered trademark of Integrated Device Technology, Inc.

INDUSTRIAL TEMPERATURE RANGE

JULY 2018

PIN CONFIGURATION



TOP VIEW

| Package Type | Package Code | Order Code |
|--------------|--------------|------------|
| TSSOP | PAG48 | PAG |
| SSOP | PVG48 | PVG |

PIN DESCRIPTION

| Pin Names | Description |
|------------------------|-----------------------------------|
| $\overline{xOE}^{(1)}$ | Output Enable Inputs (Active LOW) |
| $xDIR^{(1)}$ | Direction Output Controls |
| xAx | Port A Inputs or 3-State Outputs |
| xBx | Port B Inputs or 3-State Outputs |

NOTE:
1. All control inputs are powered off V_{CCA} .

ABSOLUTE MAXIMUM RATINGS⁽¹⁾

| Symbol | Description | Max | Unit |
|----------------------|---|-------------|------|
| $V_{TERM}^{(2)}$ | Terminal Voltage with Respect to GND | -0.5 to +6 | V |
| $V_{TERM}^{(3)}$ | Terminal Voltage with Respect to GND | -0.5 to +6 | V |
| TSTG | Storage Temperature | -65 to +150 | °C |
| I_{OUT} | DC Output Current | -50 to +50 | mA |
| I_{IK} | Continuous Clamp Current, $V_I < 0$ or $V_I > V_{CC}$ | ±50 | mA |
| I_{OK} | Continuous Clamp Current, $V_O < 0$ | -50 | mA |
| I_{CC} I_{SS} | Continuous Current through each V_{CC} or GND | ±100 | mA |

NOTES:

- Stresses greater than those listed under ABSOLUTE MAXIMUM RATINGS may cause permanent damage to the device. This is a stress rating only and functional operation of the device at these or any other conditions above those indicated in the operational sections of this specification is not implied. Exposure to absolute maximum rating conditions for extended periods may affect reliability.
- V_{CC} terminals.
- All terminals except V_{CC} .

CAPACITANCE ($T_A = +25^\circ\text{C}$, $F = 1.0\text{MHz}$, $V_{CCA} = 3.3\text{V}$)

| Symbol | Parameter ⁽¹⁾ | Conditions | Typ. | Max. | Unit |
|-----------|--------------------------|----------------------|------|------|------|
| C_{IN} | A Port Input Capacitance | $V_{IN} = 0\text{V}$ | 6.5 | — | pF |
| $C_{I/O}$ | A Port I/O Capacitance | $V_{IN} = 0\text{V}$ | 8.5 | — | pF |

NOTE:

- As applicable to the device type.

CAPACITANCE ($T_A = +25^\circ\text{C}$, $F = 1.0\text{MHz}$, $V_{CCB} = 5\text{V}$)

| Symbol | Parameter ⁽¹⁾ | Conditions | Typ. | Max. | Unit |
|-----------|--------------------------|----------------------|------|------|------|
| C_{IN} | B Port Input Capacitance | $V_{IN} = 0\text{V}$ | 6.5 | — | pF |
| $C_{I/O}$ | B Port I/O Capacitance | $V_{IN} = 0\text{V}$ | 6.5 | — | pF |

NOTE:

- As applicable to the device type.

FUNCTION TABLE (EACH 8-BIT SECTION)⁽¹⁾

| Inputs | | Outputs |
|------------------|--------|---------------------|
| \overline{xOE} | $xDIR$ | |
| L | L | Bus B Data to Bus A |
| L | H | Bus A Data to Bus B |
| H | X | High Z State |

NOTE:

- H = HIGH Voltage Level
L = LOW Voltage Level
X = Don't Care
Z = High Impedance

DC ELECTRICAL CHARACTERISTICS OVER OPERATING RANGE (B PORT)⁽¹⁾

Following Conditions Apply Unless Otherwise Specified:

Operating Condition: $T_A = -40^{\circ}\text{C}$ to $+85^{\circ}\text{C}$

| Symbol | Parameter | Test Conditions | Min. | Typ. ⁽²⁾ | Max. | Unit | |
|-------------------------------------|--|--|--------------------|---------------------|---------|---------------|---------------|
| V_{IH} | Input HIGH Voltage Level | $V_{CCB} = 4.5\text{V}$ to 5.5V | 2 | — | — | V | |
| V_{IL} | Input LOW Voltage Level | $V_{CCB} = 4.5\text{V}$ to 5.5V | — | — | 0.8 | V | |
| I_{IH} | Input HIGH Current | $V_{CCB} = 5.5\text{V}$ | — | — | ± 5 | μA | |
| I_{IL} | Input LOW Current | $V_{CCB} = 5.5\text{V}$ | — | — | ± 5 | μA | |
| I_{OZH} | High Impedance Output Current (3-State Output pins) | $V_{CCB} = 5.5\text{V}$ | $V_O = V_{CC}$ | — | — | ± 10 | μA |
| I_{OZL} | | | $V_O = \text{GND}$ | — | — | ± 10 | |
| V_H | Input Hysteresis | $V_{CCB} = 4.5\text{V}$ | — | 100 | — | mV | |
| I_{CCL} I_{CCH} I_{CCZ} | Quiescent Power Supply Current | $V_{CCB} = 5.5\text{V}$ $V_{IN} = \text{GND}$ or V_{CCB} | — | 0.1 | 40 | μA | |
| ΔI_{CC} | Quiescent Power Supply Current Variation | One input at 3.4V , other inputs at V_{CCB} or GND | — | — | 750 | μA | |

NOTES:

- $V_{CCA} = 2.7\text{V}$ to 3.6V .
- Typical values are at $V_{CC} = 5\text{V}$, $+25^{\circ}\text{C}$ ambient.

DC ELECTRICAL CHARACTERISTICS OVER OPERATING RANGE (A PORT)^(1,2)

Following Conditions Apply Unless Otherwise Specified:

Operating Condition: $T_A = -40^{\circ}\text{C}$ to $+85^{\circ}\text{C}$

| Symbol | Parameter | Test Conditions | Min. | Typ. ⁽³⁾ | Max. | Unit | |
|-------------------------------------|--|--|--------------------|---------------------|---------|---------------|---------------|
| V_{IH} | Input HIGH Voltage Level | $V_{CCA} = 2.7\text{V}$ to 3.6V | 2 | — | — | V | |
| V_{IL} | Input LOW Voltage Level | $V_{CCA} = 2.7\text{V}$ to 3.6V | — | — | 0.8 | V | |
| I_{IH} | Input HIGH Current | $V_{CCA} = 3.6\text{V}$ | — | — | ± 5 | μA | |
| I_{IL} | Input LOW Current | $V_{CCA} = 3.6\text{V}$ | — | — | ± 5 | μA | |
| I_{OZH} | High Impedance Output Current (3-State Output pins) | $V_{CCA} = 3.6\text{V}$ | $V_O = V_{CC}$ | — | — | ± 10 | μA |
| I_{OZL} | | | $V_O = \text{GND}$ | — | — | ± 10 | |
| V_H | Input Hysteresis | $V_{CCA} = 3.3\text{V}$ | — | 100 | — | mV | |
| I_{CCL} I_{CCH} I_{CCZ} | Quiescent Power Supply Current | $V_{CCA} = 3.6\text{V}$ $V_{IN} = \text{GND}$ or V_{CCA} | — | 0.1 | 40 | μA | |
| ΔI_{CC} | Quiescent Power Supply Current Variation | One input at $V_{CCA} - 0.6\text{V}$, other inputs at V_{CCA} or GND | — | — | 750 | μA | |

NOTES:

- $V_{CCB} = 5\text{V} \pm 0.5\text{V}$.
- Control inputs $\overline{\text{XDIR}}$, $\overline{\text{OE}}$ are supplied from V_{CCA} .
- Typical values are at $V_{CC} = 3.3\text{V}$, $+25^{\circ}\text{C}$ ambient.

OUTPUT DRIVE CHARACTERISTICS, $V_{CCA} = 3.3V \pm 0.3V$ (A PORT)

| Symbol | Parameter | Test Conditions ⁽¹⁾ | | Min. | Max. | Unit |
|--------|---|--------------------------------|-------------------|-----------------|------|------|
| VOH | Output HIGH Voltage (B Port to A Port) | $V_{CCA} = 2.7V$ to $3.6V$ | $I_{OH} = -0.1mA$ | $V_{CCA} - 0.2$ | — | V |
| | | $V_{CCA} = 2.7V$ | $I_{OH} = -12mA$ | 2.2 | — | |
| | | $V_{CCA} = 3V$ | | 2.4 | — | |
| | | $V_{CCA} = 3V$ | $I_{OH} = -24mA$ | 2 | — | |
| VOL | Output LOW Voltage (B Port to A Port) | $V_{CCA} = 2.7V$ to $3.6V$ | $I_{OL} = 0.1mA$ | — | 0.2 | V |
| | | $V_{CCA} = 2.7V$ | $I_{OL} = 12mA$ | — | 0.4 | |
| | | $V_{CCA} = 3V$ | $I_{OL} = 24mA$ | — | 0.55 | |

NOTE:
1. V_{IH} and V_{IL} must be within the min. or max. range shown in the DC ELECTRICAL CHARACTERISTICS OVER OPERATING RANGE table for the appropriate V_{CC} range.
 $T_A = -40^{\circ}C$ to $+85^{\circ}C$; $V_{CCA} = 3.3V \pm 0.3V$.

OUTPUT DRIVE CHARACTERISTICS, $V_{CCB} = 5V \pm 0.5V$ (B PORT)

| Symbol | Parameter | Test Conditions ⁽¹⁾ | | Min. | Max. | Unit |
|--------|---|--------------------------------|-------------------|------|------|------|
| VOH | Output HIGH Voltage (A Port to B Port) | $V_{CCB} = 4.5V$ | $I_{OH} = -0.1mA$ | 4.3 | — | V |
| | | $V_{CCB} = 5.5V$ | | 5.3 | — | |
| | | $V_{CCB} = 4.5V$ | $I_{OH} = -24mA$ | 3.7 | — | |
| | | $V_{CCB} = 5.5V$ | | 4.7 | — | |
| VOL | Output LOW Voltage (A Port to B Port) | $V_{CCB} = 4.5V$ | $I_{OL} = 0.1mA$ | — | 0.2 | V |
| | | $V_{CCB} = 5.5V$ | | — | 0.2 | |
| | | $V_{CCB} = 4.5V$ | $I_{OL} = 24mA$ | — | 0.55 | |
| | | $V_{CCB} = 5.5V$ | | — | 0.55 | |

NOTE:
1. V_{IH} and V_{IL} must be within the min. or max. range shown in the DC ELECTRICAL CHARACTERISTICS OVER OPERATING RANGE table for the appropriate V_{CC} range.
 $T_A = -40^{\circ}C$ to $+85^{\circ}C$; $V_{CCB} = 5V \pm 0.5V$.

OPERATING CHARACTERISTICS, $T_A = 25^\circ\text{C}$

| Symbol | Parameter | Test Conditions | $V_{CCA} = 3.3\text{V}, V_{CCB} = 5\text{V}$ | | Unit |
|--------|--|--------------------------------------|--|--|------|
| | | | Typical | | |
| CPD | Power Dissipation Capacitance, Outputs enabled (A port or B port) | $C_L = 0\text{pF}, f = 10\text{MHz}$ | 56 | | pF |
| CPD | Power Dissipation Capacitance, Outputs disabled (A port or B port) | | 6 | | |

SWITCHING CHARACTERISTICS⁽¹⁾

| Symbol | Parameter | $V_{CCB} = 5\text{V} \pm 0.5\text{V}$ | | | | Unit |
|------------------------|--|---------------------------------------|------|---|------|------|
| | | $V_{CCA} = 2.7\text{V}$ | | $V_{CCA} = 3.3\text{V} \pm 0.3\text{V}$ | | |
| | | Min. | Max. | Min. | Max. | |
| t_{PLH} t_{PHL} | Propagation Delay xAx to xBx | — | 5.9 | 1 | 5.8 | ns |
| t_{PLH} t_{PHL} | Propagation Delay xBx to xAx | — | 6.7 | 1.2 | 5.8 | ns |
| t_{PZH} t_{PZL} | Output Enable Time \overline{xOE} to xBx | — | 9.3 | 1 | 8.9 | ns |
| t_{PZH} t_{PZL} | Output Enable Time \overline{xOE} to xAx | — | 10.2 | 2 | 9.1 | ns |
| t_{PHZ} t_{PLZ} | Output Disable Time \overline{xOE} to xBx | — | 9.2 | 2.1 | 9.4 | ns |
| t_{PHZ} t_{PLZ} | Output Disable Time \overline{xOE} to xAx | — | 9 | 2.9 | 8.6 | ns |

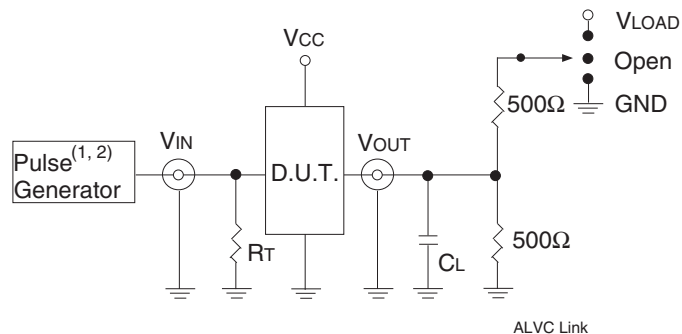
NOTE:

1. See TEST CIRCUITS AND WAVEFORMS. $T_A = -40^\circ\text{C}$ to $+85^\circ\text{C}$.

TEST CIRCUITS AND WAVEFORMS FOR $V_{CCA} = 3.3V \pm 0.3V$ AND $V_{CCA} = 2.7V$

TEST CONDITIONS

| Symbol | $V_{CCA} = 3.3V \pm 0.3V$ | $V_{CCA} = 2.7V$ | Unit |
|-------------------|---------------------------|------------------|------|
| V_{LOAD} | 6 | 6 | V |
| V_{IH} | 3 | 3 | V |
| V_T | 1.5 | 1.5 | V |
| V_{LZ} | 300 | 300 | mV |
| $V_{OH} - V_{HZ}$ | 300 | 300 | mV |
| C_L | 50 | 50 | pF |



Test Circuit for All Outputs

DEFINITIONS:

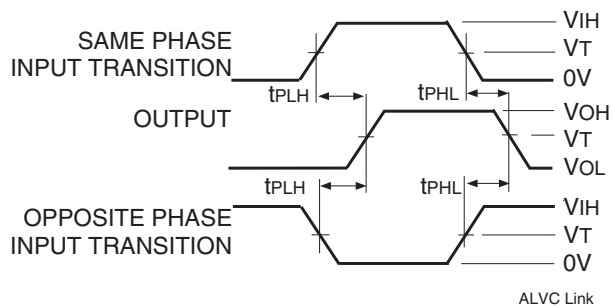
C_L = Load capacitance: includes jig and probe capacitance.
 R_T = Termination resistance: should be equal to Z_{out} of the Pulse Generator.

NOTE:

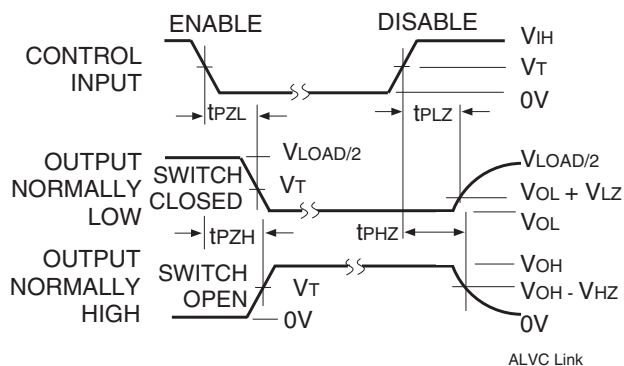
1. Pulse Generator for All Pulses: Rate $\leq 1.0MHz$; $t_f \leq 2.5ns$; $t_r \leq 2.5ns$.

SWITCH POSITION

| Test | Switch |
|-----------------------------|------------|
| Disable Low Enable Low | V_{LOAD} |
| Disable High Enable High | GND |
| All Other Tests | Open |



Propagation Delay



Enable and Disable Times

NOTE:

1. Diagram shown for input Control Enable-LOW and input Control Disable-HIGH.

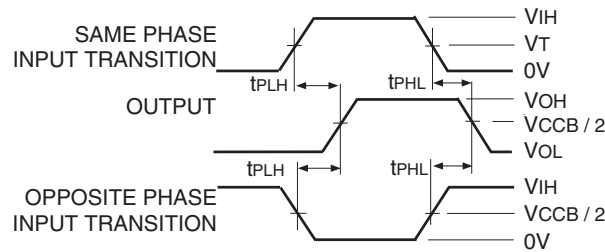
TEST CIRCUITS AND WAVEFORMS FOR $V_{CCB} = 5V \pm 0.5V$

TEST CONDITIONS (USE V_{CCA} TEST CIRCUIT)

| Symbol | $V_{CCB}^{(1)} = 5V \pm 0.2V$ | Unit |
|------------|-------------------------------|------|
| V_{LOAD} | $2 \times V_{CCB}$ | V |
| V_{IH} | 2.7 | V |
| V_T | $1.5 \text{ or } V_{CCB} / 2$ | V |
| V_{LZ} | 20% of V_{CCB} | mV |
| V_{HZ} | 80% of V_{CCB} | mV |
| C_L | 50 | pF |

NOTE:

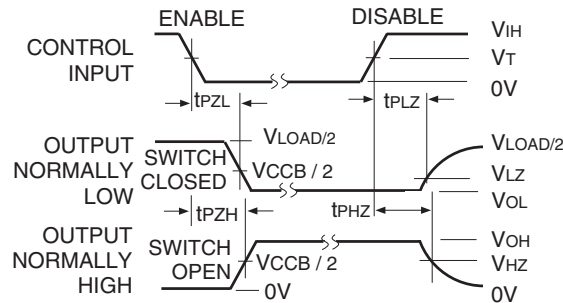
1. Pulse Generator for All Pulses: Rate $\leq 1.0\text{MHz}$; $t_f \leq 2.5\text{ns}$; $t_r \leq 2.5\text{ns}$.



Propagation Delay

NOTES:

1. For $t_{sk(o)}$ OUTPUT1 and OUTPUT2 are any two outputs.
2. For $t_{sk(b)}$ OUTPUT1 and OUTPUT2 are in the same bank.

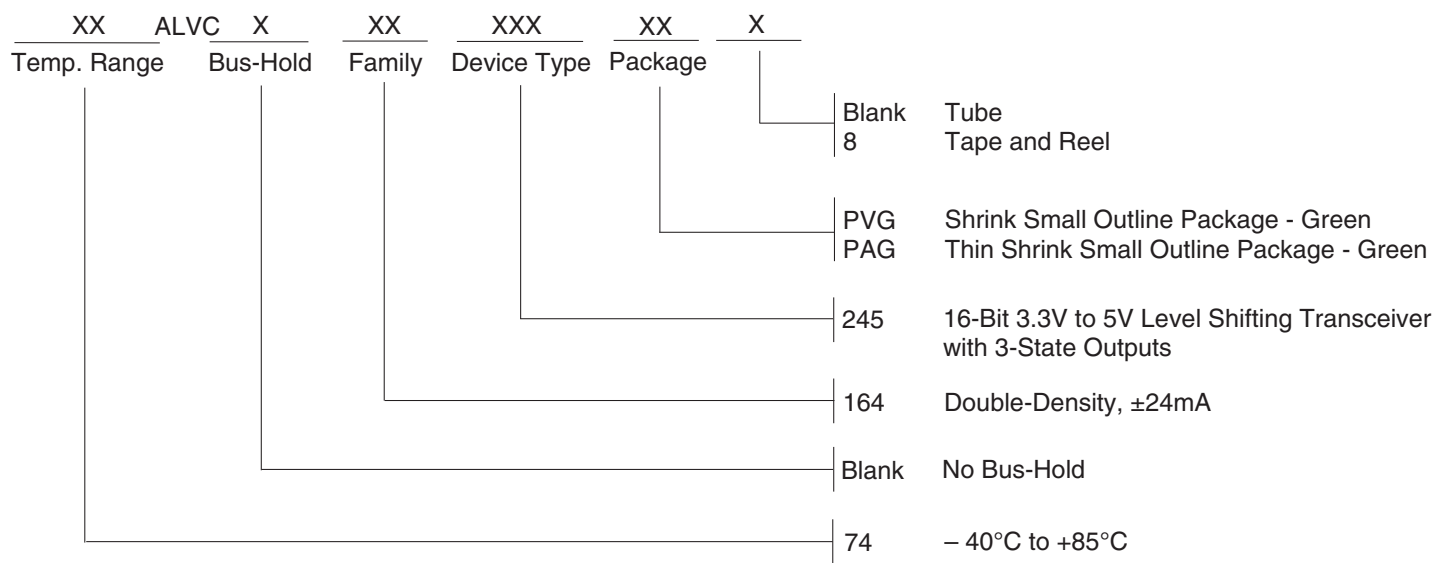


Enable and Disable Times

NOTE:

1. Diagram shown for input Control Enable-LOW and input Control Disable-HIGH.

ORDERING INFORMATION



Orderable Part Information

| Speed (ns) | Orderable Part ID | Pkg. Code | Pkg. Type | Temp. Grade |
|------------|-------------------|-----------|-----------|-------------|
| | 74ALVC164245PAG | PAG48 | TSSOP | C |
| | 74ALVC164245PAG8 | PAG48 | TSSOP | C |
| | 74ALVC164245PVG | PVG48 | SSOP | C |
| | 74ALVC164245PVG8 | PVG48 | SSOP | C |

IMPORTANT NOTICE AND DISCLAIMER

RENESAS ELECTRONICS CORPORATION AND ITS SUBSIDIARIES (“RENESAS”) PROVIDES TECHNICAL SPECIFICATIONS AND RELIABILITY DATA (INCLUDING DATASHEETS), DESIGN RESOURCES (INCLUDING REFERENCE DESIGNS), APPLICATION OR OTHER DESIGN ADVICE, WEB TOOLS, SAFETY INFORMATION, AND OTHER RESOURCES “AS IS” AND WITH ALL FAULTS, AND DISCLAIMS ALL WARRANTIES, EXPRESS OR IMPLIED, INCLUDING, WITHOUT LIMITATION, ANY IMPLIED WARRANTIES OF MERCHANTABILITY, FITNESS FOR A PARTICULAR PURPOSE, OR NON-INFRINGEMENT OF THIRD PARTY INTELLECTUAL PROPERTY RIGHTS.

These resources are intended for developers skilled in the art designing with Renesas products. You are solely responsible for (1) selecting the appropriate products for your application, (2) designing, validating, and testing your application, and (3) ensuring your application meets applicable standards, and any other safety, security, or other requirements. These resources are subject to change without notice. Renesas grants you permission to use these resources only for development of an application that uses Renesas products. Other reproduction or use of these resources is strictly prohibited. No license is granted to any other Renesas intellectual property or to any third party intellectual property. Renesas disclaims responsibility for, and you will fully indemnify Renesas and its representatives against, any claims, damages, costs, losses, or liabilities arising out of your use of these resources. Renesas' products are provided only subject to Renesas' Terms and Conditions of Sale or other applicable terms agreed to in writing. No use of any Renesas resources expands or otherwise alters any applicable warranties or warranty disclaimers for these products.

(Rev.1.0 Mar 2020)

Corporate Headquarters

TOYOSU FORESIA, 3-2-24 Toyosu,
Koto-ku, Tokyo 135-0061, Japan
www.renesas.com

Contact Information

For further information on a product, technology, the most up-to-date version of a document, or your nearest sales office, please visit:
www.renesas.com/contact/

Trademarks

Renesas and the Renesas logo are trademarks of Renesas Electronics Corporation. All trademarks and registered trademarks are the property of their respective owners.