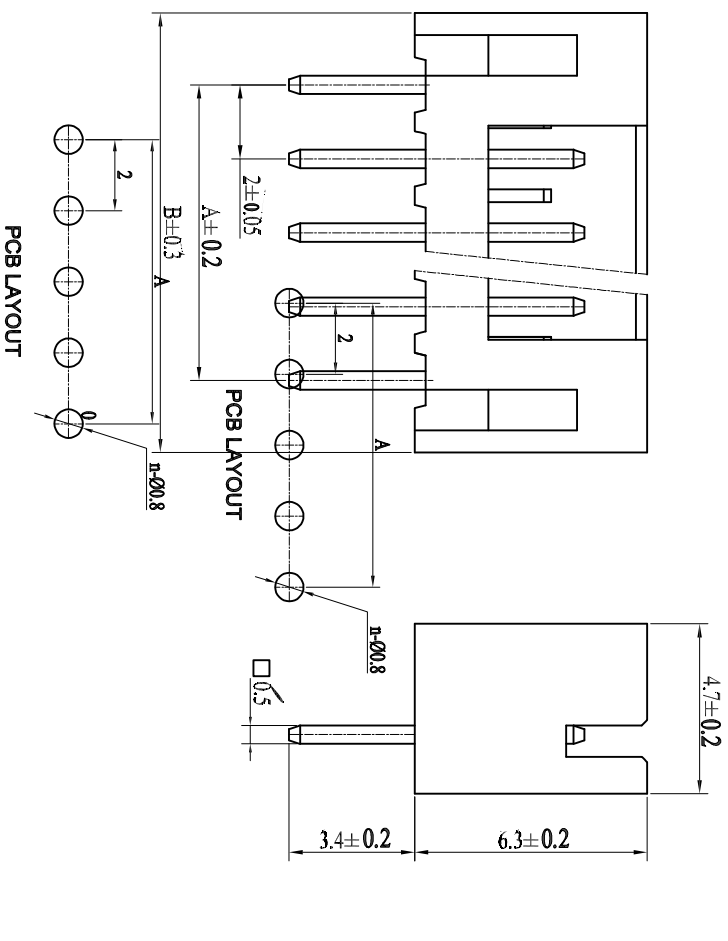
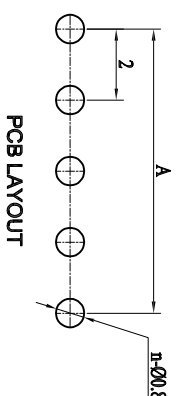
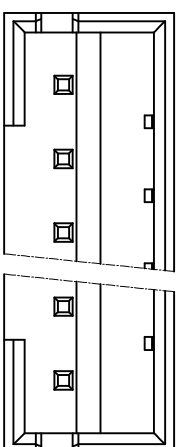


POLES	PART NO	DIMENSIONS(mm)	
		A	B
2	2	2.0	6.1
3	3	4.0	8.1
4	4	6.0	10.1
5	5	8.0	12.1
6	6	10.0	14.1
7	7	12.0	16.1
8	8	14.0	18.1
9	9	16.0	20.1
10	10	18.0	22.1
11	11	20.0	24.1
12	12	22.0	26.1
13	13	24.0	28.1
14	14	26.0	30.1
15	15	28.0	32.1
16	16	30.0	34.1



■ 技术参数 (SPECIFICATIONS)

- ◆ 额定电压: 250V AC/DC
 - ◆ Voltage rating: 250V AC/DC
 - ◆ 额定电流: 2.0A AC/DC MIN
 - ◆ Current rating: 2.0A AC/DC MIN
 - ◆ 耐压值: 800V AC/minute
 - ◆ Withstand voltage 800V AC/minute
 - ◆ 绝缘电阻: 1000MΩ MIN
 - ◆ Insulation resistance: 1000MΩ MIN
 - ◆ 接触电阻: 20mΩ MAX
 - ◆ Contact resistance: 20mΩ MAX
 - ◆ 工作温度: -25°C~+85°C
 - ◆ Working Temperature: -25°C~+85°C
 - ◆ 间距: 2.0 mm
 - ◆ Pitch: 2.0 mm
- 材料 (MATERIAL)
- ◆ 外壳: 尼龙66
 - ◆ Housing: PA66
 - ◆ 插针: 黄铜
 - ◆ Pin: Brass



APPROVALS		DATE	TITLE:	
DRAWN	ZHIWEI, CHEN	2015.07.07	GP01-2001W-NP	
CHECKED				
APPROVALS			PART NO.	GP01-2001W-NP
TOLERANCES ARE		30~0.15	ANGLE	PROJ.
	10~30	±0.20	UNIT: mm	SCALE: 1:1
	5~10	±0.15		
	~5	±0.10		
				SHEET 1 OF 1
ECN NO.	REV.	DATE.	DESCRIPTION.	
	A		NEW	