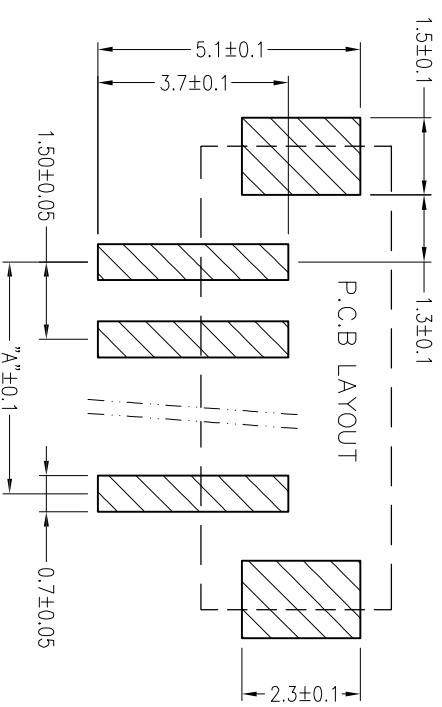
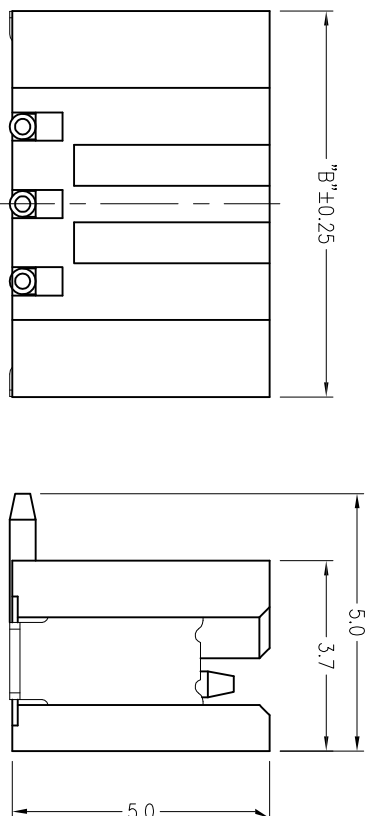
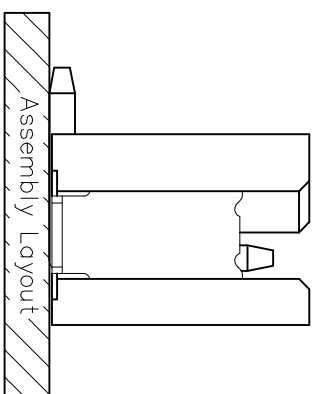
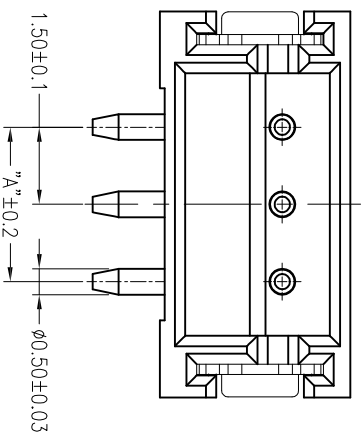


Poles	DIM. A	DIM. B
2	1.5	6.0
3	3.0	7.5
4	4.5	9.0
5	6.0	10.5
6	7.5	12.0
7	9.0	13.5
8	10.5	15.0
9	12.0	16.5
10	13.5	18.0
11	15.0	19.5
12	16.5	21.0
13	18.0	22.5
14	19.5	24.0
15	21.0	25.5
16	22.5	27.0



■ 技术参数 SPECIFICATIONS

- ◆ 适用线规: AWG#32~#26
- ◆ Applicable Wire: AWG#32~#26
- ◆ 额定电压: 50V DC,AC(rms)
- ◆ Rated voltage: 50V DC,AC(rms)
- ◆ 额定电流: 1A (AWG #26)
- ◆ Rated Current: 1A (AWG #26)
- ◆ 耐压值: 500V AC/minute
- ◆ Withstand voltage: 500V AC/min.
- ◆ 工作温度: -25°C ~ +85°C
- ◆ Working Temp : -25°C ~ +85°C
- ◆ 绝缘电阻: ≥ 500 M Ω
- ◆ Insulation resistance: ≥ 500 M Ω
- ◆ 接触电阻: ≤ 20 m Ω
- ◆ Contact resistance: ≤ 20 m Ω

■ 材料 MATERIAL

- ◆ 绝缘体: 尼龙9T, UL94-V0
- ◆ Insulator: Nylon9T, UL94-V0
- ◆ 接触针: 黄铜
- ◆ Contact PIN: Brass
- ◆ 焊片: 磷铜
- ◆ Solder tab: Phosphor bronze

APPROVALS		DATE		TITLE:		
DRAWN	ZHIWEI,CHEN	2015.07.07		GP01-1500WV-S-NP		
CHECKED						
APPROVALS				PART NO.	GP01-1500WV-S-NP	
TOLERANCES ARE		30~Ø以上	±0.30	ANGLE		
		10~30	±0.20	UNIT:	mm	
		5~10	±0.15	SCALE:	1:1	
		~5	±0.10	DRAWING NO.		
					PROJ.	
					SHEET 1 OF 1	
ECN NO.	REV.	DATE.	DESCRIPTION.	CHANGE.	CHECK.	APPRO.
	A		NEW			

GEPU 歌普