

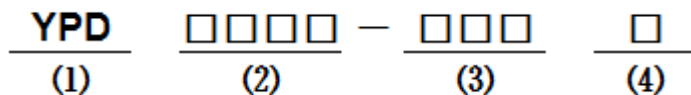
**■ Features**

- Low radiation noise by magnetic shielding structure.
- Assemblage project, sturdy construction.
- Low magnetic loss, low ESR, small parasitic capacitance.
- Closed magnetic circuit, super-low buzzing, can high density mount.
- Small volume, high current, the temperature rise of current and rated current  
Less influenced by the environment.
- Operating temperature: -40°C ~ +125°C.

**■ Applications**

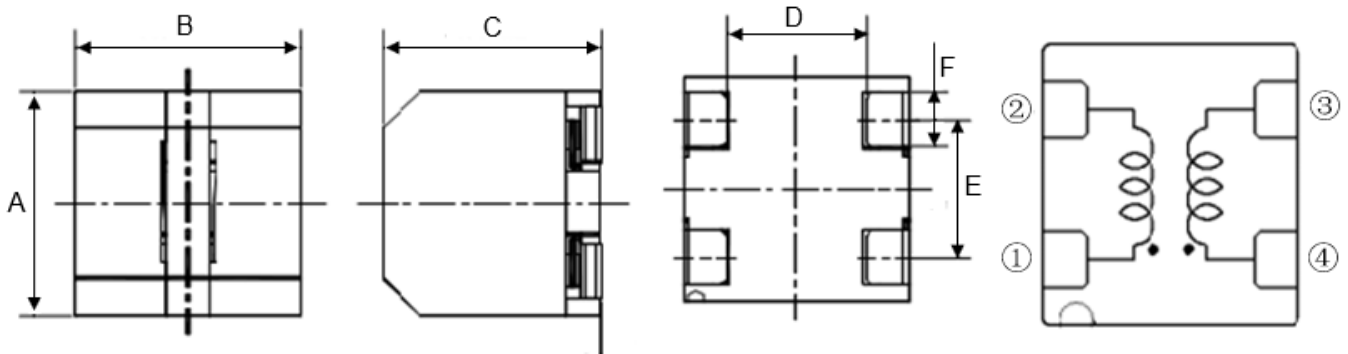
- Suitable as choke for digital amp, Car audio, PDP TV and 5.1ch Home theater.
- OA equipment Digital camera, LCD television set notebook PC, Audio  
equipment, portable communication equipments, DC/DC converters, etc.

**■ Product Identification**



- (1) : Type
- (2) : Dimensions
- (3) : Impedance
- (4) : Inductance Tolerance

**■ Shapes and Dimensions (Unit: mm)**



TYPE	A	B	C Max	D	E	F
YPD0910	9.0±0.5	10.0±0.5	10.5	6.2	5.5	2.0

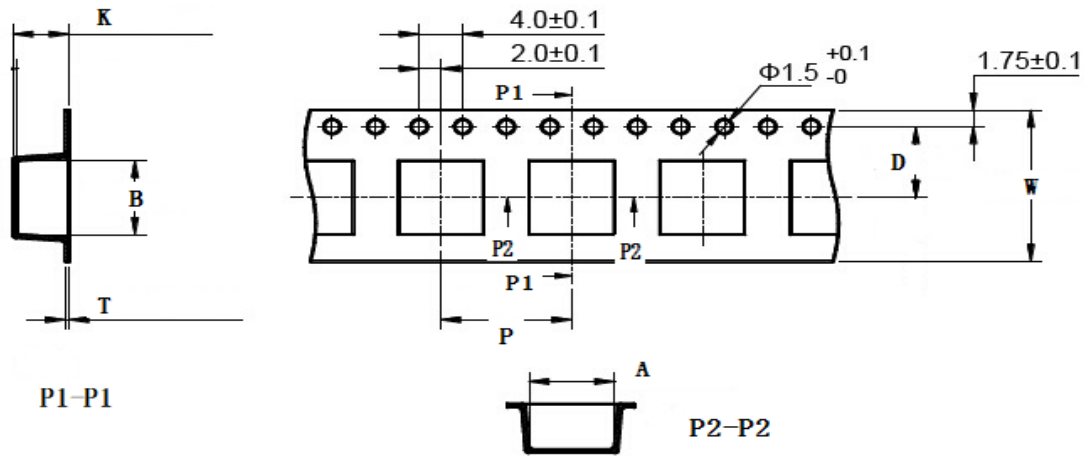
**■ YPD Series**

Part Number	Inductance (uH)	L Test Freq. (KHz)	Max.DCR (Ω)	Saturation Current (A)	Heat Rating Current (A)
YPD0910-100□	10	100	0.029	5.24	5.00
YPD0910-150□	15	100	0.031	3.92	3.50
YPD0910-220□	20	100	0.036	2.82	2.50

**■ Material List**

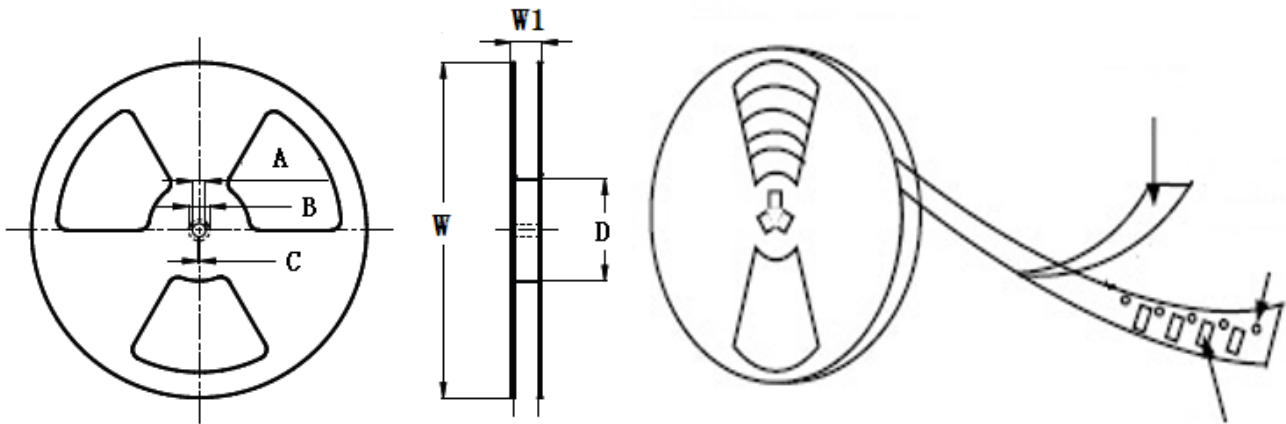
NO.	ITEM	MATERIAL DESCRIPTION	SUPPLIER	REMARK
1	CORE	EPI9G74	SOCIAL	OR EQUIVALENT
2	WIRE	EPI9	ZHUHAI SONTEK	OR EQUIVALENT
3	EPOXY	W809S	LINUOWEI	OR EQUIVALENT

**■ Taping Dimensions(Unit:mm)**



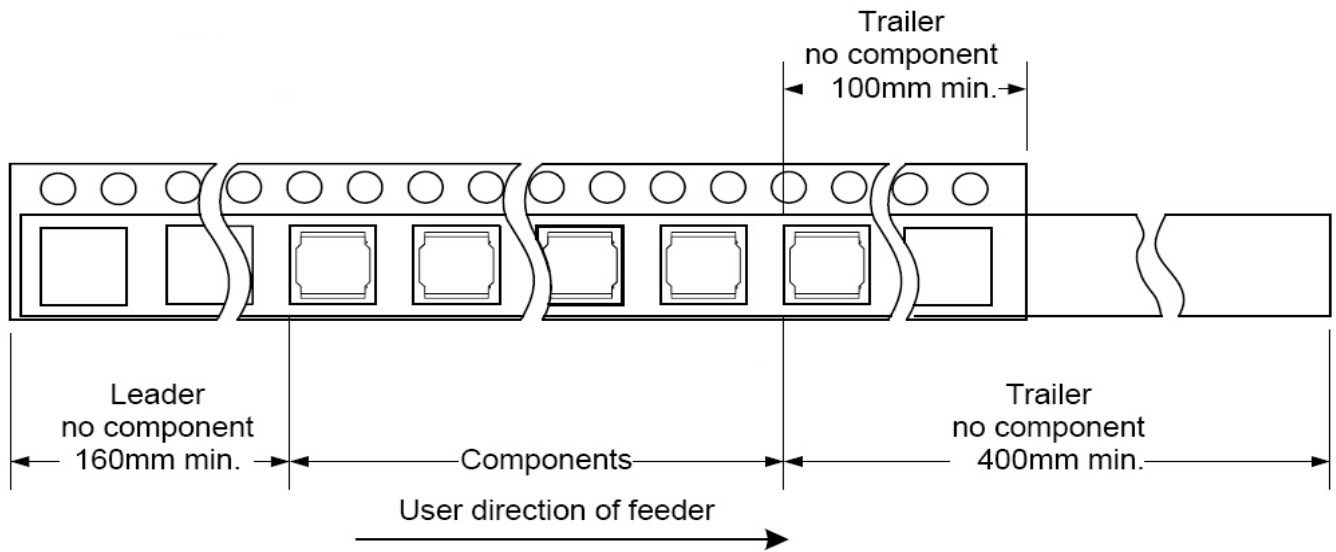
TYPE	W	A	B	D	P	K	T	MPQ
YPD0910	24.0±0.3	9.4±0.1	10.5±0.1	11.5±0.1	16.0±0.1	10.4±0.1	0.5±0.05	400

**■ Reel Dimensions(Unit:mm)**

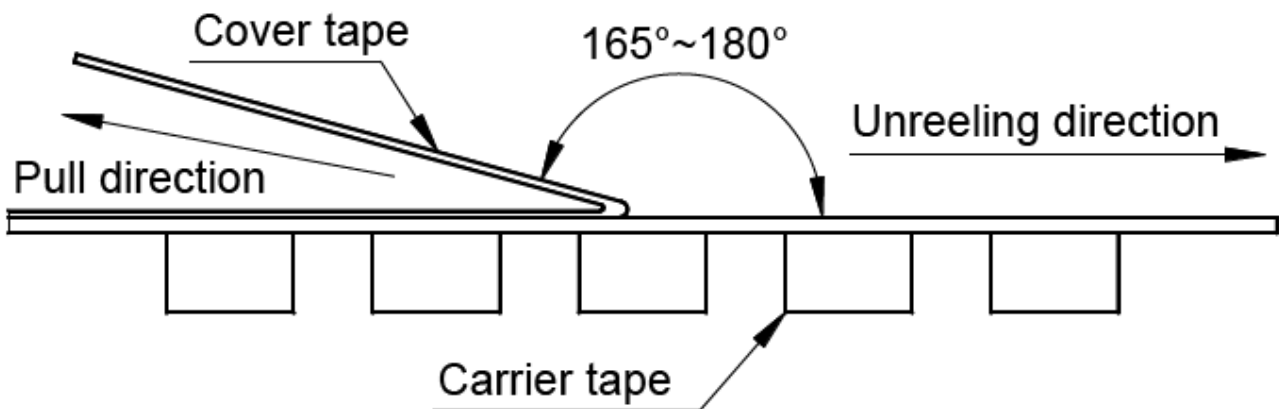


TYPE	W	W1	A	B	C	D
YPD0910	330±2.0	30.4±0.50	13.0±0.5	21.0±0.8	2.0±0.5	100Min

**Direction of rolling**



**Cover tape peel off condition**



Cover tape peel force shall be 0.1N to 1.3N.

Reference peel speed 300±10mm/min.