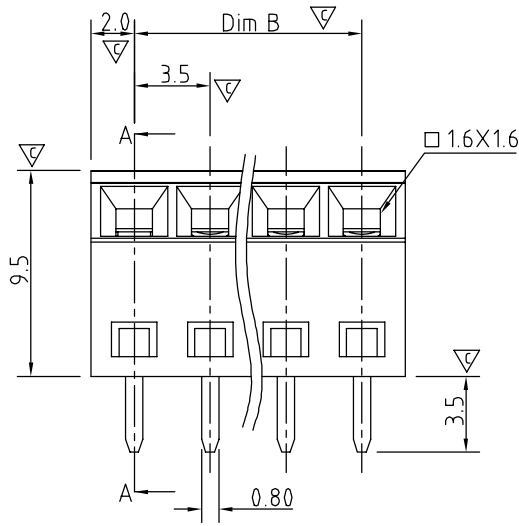
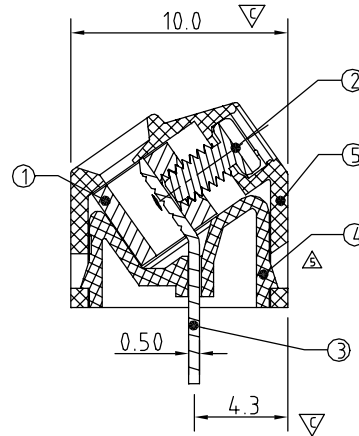


N = Number of poles
 Dim A = N x 3.5 + 0.50
 Dim B = (N - 1) x 3.5

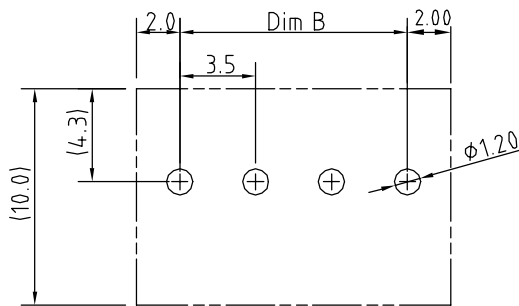
	Dim A	Dim B
2-6p	±0.15	±0.15
7-12p	±0.20	±0.20
13-18p	±0.25	±0.25
19-24p	±0.30	±0.30



N=Number of poles



SECTION A-A



P.C.B. LAYOUT

SIGN	DATE	DESCRIPTION	APPROVER
△	02/01/07	Soldering temperature changed from 245° to 250°	Tason
△	02/01/07	Part NO is Changed	Tason
△	05/25/09	Wire strip length changed from 6-7mm to 5-6mm	Eris
△	05/25/09	temperature changed from -30°C-105°C to -40°C-115°C	Eris
△	8/28/12	enlarge the chamfer to be 35 degree more	Guoxue
△	8/28/12	temperature changed from 250°C±10°C/5 Sec to 260°C±5°C/5 Sec	Guoxue

THIS IS CAD DRAWING, DO NOT REVISE MANUALLY!!!

Material

- Item ① Clamp : Brass , Ni plated
- Item ② Terminal screw : Steel Zinc plating "-" slot type
- Item ③ Wire guard solder pin : Brass, Tin plated
- Item ④ Terminal cover : Thermoplastic (UL94V-0)
- Item ⑤ Terminal housing : Thermoplastic (UL94V-0)

Electrical

- Voltage rating: 300VAC
- Current rating: 10A
- Wire range:
 - Solid wire(AWG): 16-28
 - Stranded wire(AWG): 16-28
- Torque(Lb-In): 1.7
- Screw: M2
- △ ● Wire strip length: 5-6mm
- Withstanding Voltage: 1.6KV
- △ ● Operating temperature: -40°C to +115°C
- △ ● Soldering temperature: 260°C±5°C/5 Sec
- Safety Approval: us
- Critical dimension: ▽

△ TV xx 1 1 x 0 xxxx G

02 2 POLES	0 Black	0000:"@"Logo (Standard)	G RoHS compliant
03 3 POLES	5 Green	000A:"ANYTEK"Logo	(lead-4%)
... ..	6 Blue	Any special item by	In copper Alloy
24 24 POLES	8 Grey	customer request,	
		please contact sales	
		department.	

ANYTEK				CUSTOMER COPY			
ALL RIGHTS RESERVED. REPRODUCTION OR ISSUE TO THIRD PARTIES IN ANY FORM WHATSOEVER IS NOT PERMITTED WITHOUT WRITTEN AUTHORITY FROM THE PROPRIETOR. PROPERTY OF ANYTEK TECHNOLOGY CO., LTD							
TITLE		TV-3.5mm Series					
PART NO.		TVxx11x0xxxxG			DWG NO.		8TV0001
APPROVED		DESIGNED	DRAWN	CUST NO.		Tolerance	
		Guoxue 2012.08.28	Guoxue 2012.08.28			X. ±0.50	
						UNIT: mm	
						SCALE: NONE	
				SHEET: 01/01		REV.: F	
						X.XX ±0.10	
						X° ±1°	

Mouser Electronics

Authorized Distributor

Click to View Pricing, Inventory, Delivery & Lifecycle Information:

Amphenol:

[TV111150000G](#) [TV131150000G](#) [TV091150000G](#) [TV191150000G](#) [TV221150000G](#) [TV021150000G](#)
[TV211150000G](#) [TV201150000G](#) [TV171150000G](#) [TV151150000G](#) [TV041150000G](#) [TV051150000G](#)
[TV101150000G](#) [TV241150000G](#) [TV071150000G](#) [TV031150000G](#) [TV141150000G](#) [TV161150000G](#)
[TV231150000G](#) [TV061150000G](#) [TV081150000G](#) [TV181150000G](#) [TV121150000G](#)