




SIGN	DATE	DESCRIPTION	APPROVER
△	01/25'05	Part No. changed.	Marvin
△	06/26'06	Current rating(cULus) is changed from 10A to 20A	Marvin
△	06/26'06	Solid/Stranded wire(AWG) is changed from 12-22 to 12-24	Marvin
△	8/10'06	Added VDE and TUV standard	梁仁松
△	7/21'08	Body is changed.	Marvin
△	2010.03.08	Add the 2P mark	Jacke

THIS IS CAD DRAWING, DO NOT REVISE MANUALLY!!!

### Material

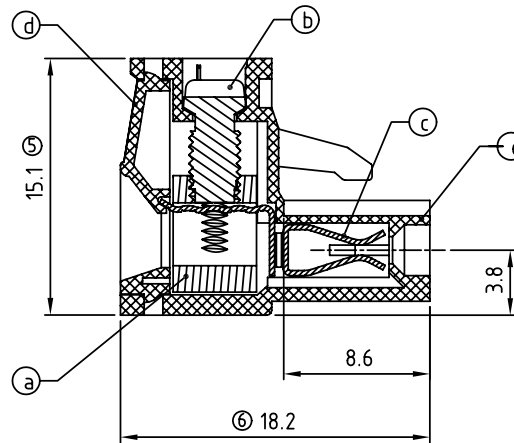
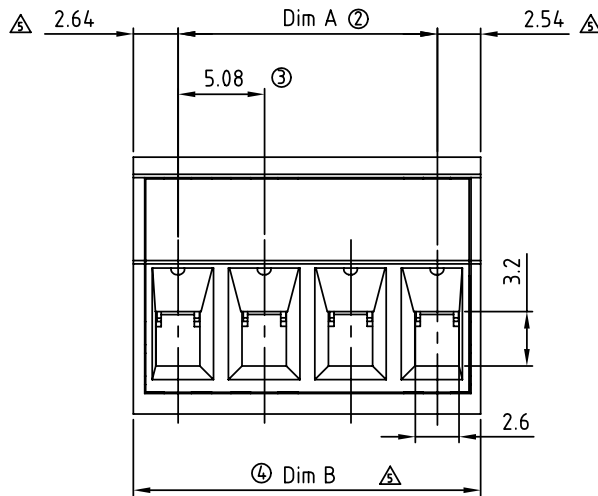
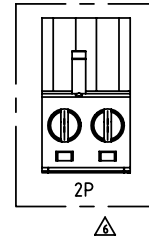
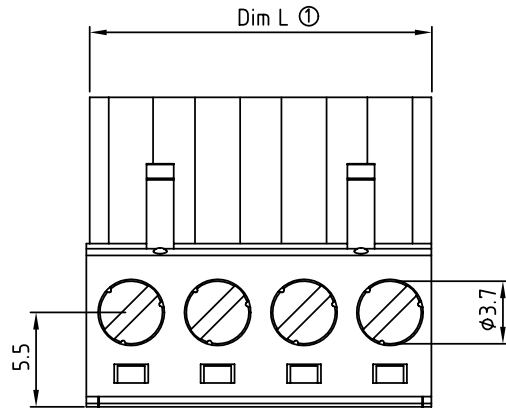
- Item (a) Clamp: Brass(CuZn) Ni plated
- Item (b) Terminal screw: Steel Zinc plating "-" slot type
- Item (c) Female contact: PhBz, Tin plated
- Item (d) Terminal Cover: Thermoplastic (UL94V-0)
- Item (e) Terminal housing: Thermoplastic (UL94V-0)

### △ Electrical cULus/VDE/TUV

- Voltage rating: 300VAC/300VAC/300VAC
- △ ● Current rating: 20A/20A/20A
- Wire range: 2.5mm<sup>2</sup>/0.34-2.5mm<sup>2</sup>
- △ ● Solid wire(AWG): 12-24/14-22
- △ ● Stranded wire(AWG): 12-24/14-22
- Torque: 5Lb-In/0.5Nm/0.56Nm
- Screw: M3
- Wire strip length: 7-8mm
- Withstanding Voltage: 1.6KV/2.5KV/2.5KV
- Operating temperature: -40°C to +115°C
- Safety Approval:   
- Use with 0Q1.0x1.0mm square pin, Withdrawal force:200 - 500gf /pole

TJ xx 51 x 3 xxxx G △

02 2 CONTACTS	0 Black (RAL9005)	000 0 Standard @ Logo Pb < 40,000ppm
03 3 CONTACTS	2 Red (RAL3001/D)	000 A Standard ANY Logo (RoHS)
...	3 Orange (RAL2011/P)	Any special item by customer request,
24 24 CONTACTS	4 Yellow (RAL1018/A)	please contact sales department.
	5 Green (RAL6018/T)	
	6 Blue (RAL5015/A)	
	8 Grey (RAL7035/D)	



DIMENSION

L	Nx5.08
A	(N-1)x5.08
B	Nx5.08+0.1


N=Number of poles

Poles	Tolerance	
	DIM A	DIM L & DIM B
2p-6p	±0.15	±0.20
7p-12p	±0.20	±0.25
13p-18p	±0.25	±0.30
19p-24p	±0.30	±0.40

# ANYTEK

## CUSTOMER COPY

ALL RIGHTS RESERVED. REPRODUCTION OR ISSUE TO THIRD PARTIES IN ANY FORM WHATSOEVER IS NOT PERMITTED WITHOUT WRITTEN AUTHORITY FROM THE PROPRIETOR. PROPERTY OF ANYTEK TECHNOLOGY CO., LTD

TITLE		TJ-5.08mm Series			
PART NO.		TJxx51x3xxxxG		DWG NO.	8TJ0007
APPROVED	CHECKED	DESIGNED	DRAWN	CUST NO.	
		Jacke 2010.03.09	Jacke 2010.03.09		
					Tolerance
					UNIT: mm
				SCALE: NONE	X.X ±0.30
				SHEET: 01/01	X.XX ±0.10
				REV.: G	X° ±1°