



THINKING ELECTRONIC INDUSTRIAL CO., LTD.

HEAD OFFICE: 12F, No.93, Dashun 1st Rd., Zuoying Dist., Kaohsiung, Taiwan
TEL: 886-7-5577660 FAX: 886-7-5570560

MANUFACTURING SITE

- KAOHSIUNG FACTORY 1: No. 51, Kaifa Rd., N.E.P.Z, Kaohsiung City 81170, Taiwan
TEL: 886-7-9616668 FAX: 886-7-9616698
- KAOHSIUNG FACTORY 2: No. 2-2, Xinjian S. Rd., N.E.P.Z., Kaohsiung City 81170, Taiwan
TEL: 886-7-9630001 FAX: 886-7-3635113
- CHANGZHOU FACTORY: No.6 Longmen Rd., Wujin High & New-Tech Industrial
Development Zone, Changzhou, Jiangsu, China 213161
TEL:86-519-86578999 FAX:86-519-86558643
- DONG GUAN FACTORY: No.45, East Rd., Sha-Tao Dist., Chang-An Town,
Dongguan City, Guangdong, China 523863
TEL:86-769-85542016 FAX:86-769-85546890
- YICHANG FACTORY: No. 283 Xiaoting Avenue, Xiaoting Dist., Yichang
City 443007, Hubei, China
TEL:86-717-6510010 FAX:86-717-6511430



SPECIFICATION FOR APPROVAL

CUSTOMER _____

CERTIFIED
MODEL/TYPE

SCK-015

PART NO.

SCK10015MSY001 (RoHS+HF)

APPLICATION _____

CUSTOMER P/N _____

ISSUE DATE

Apr.10,2020

REV. NO. _____

REV. DATE _____

FOR CUSTOMER APPROVAL	CHECKED BY
	<i>Cuifan Liang</i>
	APPROVED BY
	<i>Andy Hsueh</i>





REVISED RECORD SHEET

REV. NO	REV. DATE	REVISED CONTENT



INDEX	Page
■ Part Number Code	1
■ Structure and Dimensions	2
■ Electrical Characteristics	2
■ Reliability	3
■ Soldering Recommendation	4
■ Max. Current Derating Curve	5
■ RoHS Compliant Declaration	5
■ Warehouse Storage Conditions of Products	5
■ Taping and Dimensions	6
■ Packaging	7
■ Safety Approvals & Certificates & Test Report	8
■ R-T Characteristic Curve	9
■ V-I Characteristic Curve	10

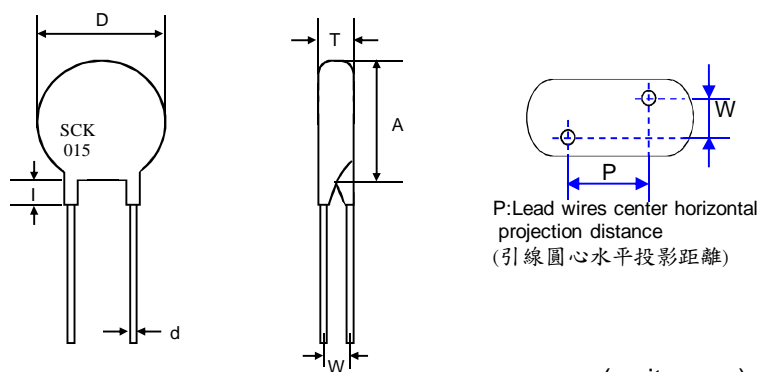
Part Number Code

Example :

SCK **10** **01** **5** **M** **S** **Y001**
 (1) (2) (3) (4) (5) (6) (7)

No.	Item	Digit	Specification
(1)	Product Type	SCK	Thinking NTC thermistor SCK type
(2)	Body Size	10	Φ 10 mm
(3)	Zero Power Resistance at 25°C (R ₂₅)	01	1 Ω
(4)	Max. Steady State Current at 25°C	5	I _{max} =5A
(5)	Tolerance of R ₂₅	M	± 20%
(6)	Appearance	S	Straight Lead
(7)	Optional Suffix	Y001	RoHS+HF compliance Taping 12.7mm,Box.

Structure and Dimensions



(unit : mm)

Body Size	D	P	d	I max.	A max.	T	W
Φ 10mm	9.0~11.5	5±0.5	0.8±0.02	3	11.5	2.5~5	2.1±0.3

Electrical Characteristics

Part No.	Zero Power Resistance at 25°C	Tolerance of R ₂₅	Max. Current at 25°C	Residual Resistance at 25°C I _{max}	Max. Power Rating at 25°C
	R ₂₅ (Ω)	(± %)	I _{max} (A)	R _{I_{max}} (Ω)	P _{max} (W)
SCK10015MSY001	1	20	5	0.091	2.4

Part No.	Dissipation Factor	Thermal Time Constant	Capacitance at 240Vac	Operating Temperature Range
	δ (mW/°C)	τ (sec.)	(μF)	T _L ~T _U (°C)
SCK10015MSY001	Approx. 17	Approx. 43	470	-40 ~+170

Note:Due to the mechanical force, which is acted on the wire lead, the coating may have cracks worn white and chips. However, it does not affect the performance and reliability of the component.

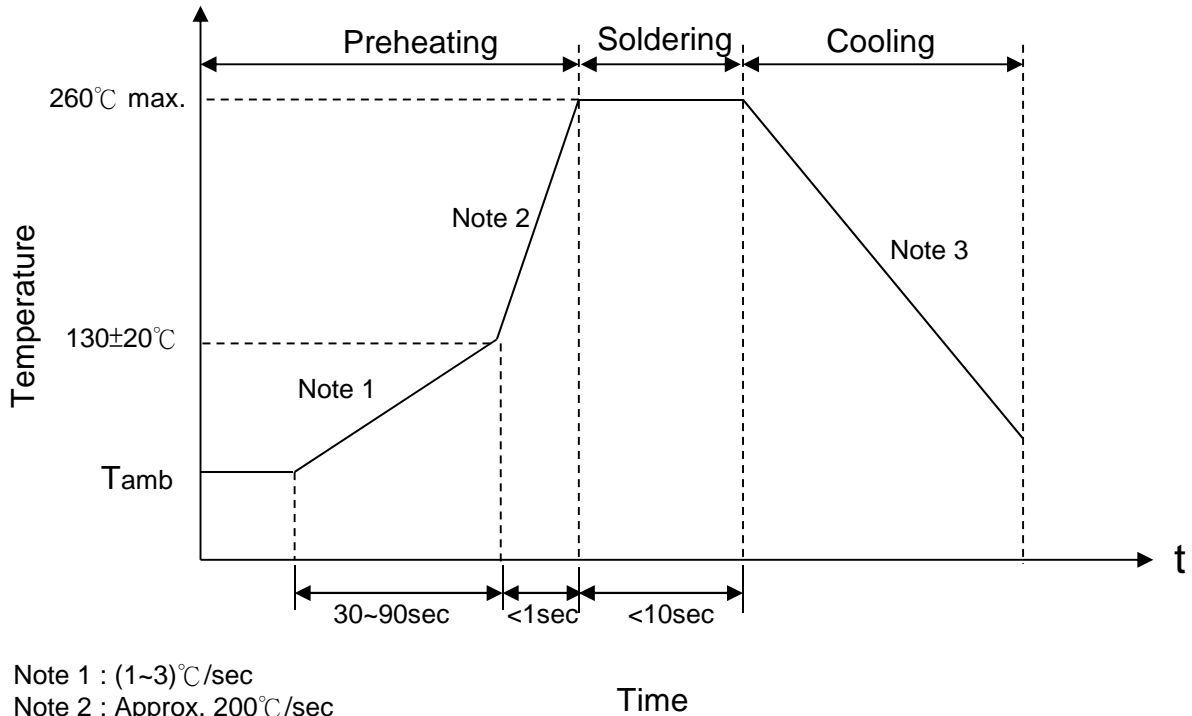
Reliability

Item	Standard	Test conditions / Methods	Specifications															
Tensile Strength of Terminals	IEC60068-2-21	Gradually applying the force specified and keeping the unit fixed for 10±1 sec. <table style="margin-left: auto; margin-right: auto;"> <tr> <td style="text-align: center;">Terminal diameter (mm)</td> <td style="text-align: center;">Force (Kg)</td> </tr> <tr> <td style="text-align: center;">$0.5 < d \leq 0.8$</td> <td style="text-align: center;">1.0</td> </tr> <tr> <td style="text-align: center;">$0.8 < d \leq 1.25$</td> <td style="text-align: center;">2.0</td> </tr> </table>	Terminal diameter (mm)	Force (Kg)	$0.5 < d \leq 0.8$	1.0	$0.8 < d \leq 1.25$	2.0	$ \Delta R_{25}/R_{25} \leq 10\%$									
Terminal diameter (mm)	Force (Kg)																	
$0.5 < d \leq 0.8$	1.0																	
$0.8 < d \leq 1.25$	2.0																	
Solderability	IEC60068-2-20	245 ± 3 °C , 3 ± 0.3 sec	Inspection shall be carried out with the assistance of a magnifier capable of giving a magnification of 4 x to 10 x . At least 95% of terminal electrode is covered by new solder. The dipped surface shall be covered with a smooth and bright solder coating with no more than small amounts of scattered imperfections such as pin-holes or un-wetted or de-wetted areas. These imperfections shall not be concentrated in one area.															
Resistance to Soldering Heat	IEC60068-2-20	260 ± 3 °C , 10 ± 1 sec	No visible damage $ \Delta R_{25}/R_{25} \leq 10\%$															
High Temperature Storage	IEC60068-2-2	Tu ± 5 °C , 1000 ± 24 hrs	No visible damage $ \Delta R_{25}/R_{25} \leq 20\%$															
Damp Heat, Steady State	IEC 60068-2-78	40 ± 2°C , 90 ~ 95 % RH , 1000 ± 24 hrs	No visible damage $ \Delta R_{25}/R_{25} \leq 20\%$															
Rapid Change of Temperature	IEC60068-2-14	The conditions shown below shall be repeated 5 cycles <table border="1" style="margin-left: auto; margin-right: auto;"> <thead> <tr> <th>Step</th> <th>Temperature (°C)</th> <th>Period (minutes)</th> </tr> </thead> <tbody> <tr> <td style="text-align: center;">1</td> <td style="text-align: center;">T_L ± 5</td> <td style="text-align: center;">30 ± 3</td> </tr> <tr> <td style="text-align: center;">2</td> <td style="text-align: center;">Room temperature</td> <td style="text-align: center;">5 ± 3</td> </tr> <tr> <td style="text-align: center;">3</td> <td style="text-align: center;">T_u ± 5</td> <td style="text-align: center;">30 ± 3</td> </tr> <tr> <td style="text-align: center;">4</td> <td style="text-align: center;">Room temperature</td> <td style="text-align: center;">5 ± 3</td> </tr> </tbody> </table>	Step	Temperature (°C)	Period (minutes)	1	T _L ± 5	30 ± 3	2	Room temperature	5 ± 3	3	T _u ± 5	30 ± 3	4	Room temperature	5 ± 3	No visible damage $ \Delta R_{25}/R_{25} \leq 20\%$
Step	Temperature (°C)	Period (minutes)																
1	T _L ± 5	30 ± 3																
2	Room temperature	5 ± 3																
3	T _u ± 5	30 ± 3																
4	Room temperature	5 ± 3																
Max. Current	IEC60539-1 4.26.1	25 ± 5 °C , I _{max.} , 1000 ± 24 hrs	No visible damage $ \Delta R_{25}/R_{25} \leq 20\%$															
Endurance	Specification Standard	25±5°C , I _{max.} , C _T , 1min ON / 5 min OFF x1000 C _T =Capacitance at 240Vac	No visible damage $ \Delta R_{25}/R_{25} \leq 20\%$															
Insulation	MIL-STD-202F-Method 302	1000 V _{DC} 1 min	No visible damage $\geq 500 \text{ M}\Omega$															

Products have been tested at Thinking Electronic Industrial Co., Ltd. Laboratory recognized by UL (Underwriters Laboratories Inc.) under CTD (Client Test Data Program).

Soldering Recommendation

■ Wave Soldering Profile



Note 1 : (1~3)°C/sec

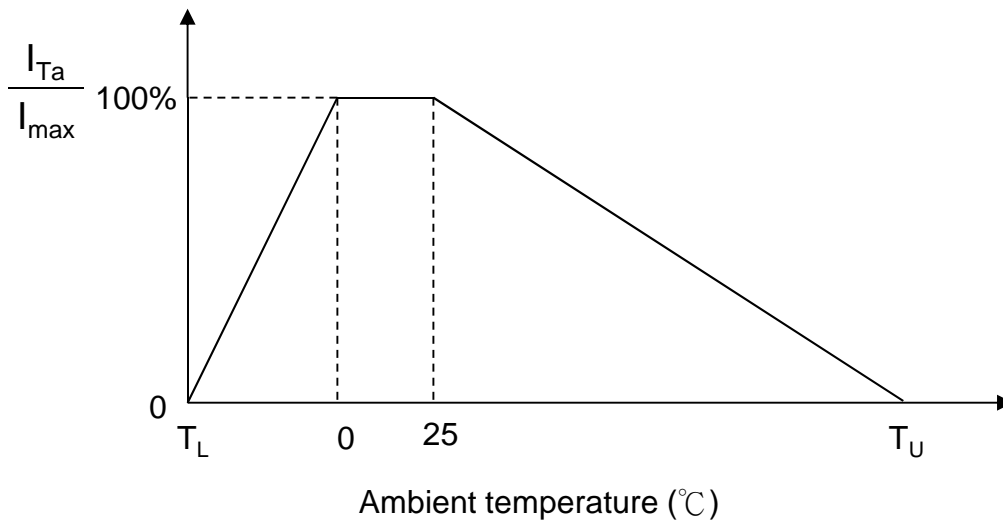
Note 2 : Approx. 200°C/sec

Note 3 : 5°C/sec max

■ Recommended Reworking Conditions with Soldering Iron

Item	Conditions
Temperature of Soldering Iron-tip	360°C (max.)
Soldering Time	3 sec (max.)
Distance From Thermistor	2 mm (min.)

Max. Current Derating Curve



Note: T_L = Minimum operating temperature ($^{\circ}\text{C}$)

T_U = Maximum operating temperature ($^{\circ}\text{C}$)

For example :

Ambient temperature(T_a)=60 $^{\circ}\text{C}$

Maximum operating temperature(T_u)=200 $^{\circ}\text{C}$

$I_{Ta}=[1-(T_a-25)/(T_u-25)]\times I_{max}=80\%I_{max}$.

RoHS Compliant Declaration

We hereby declare that the components delivered to your company are compliant with RoHS directive 2015/863/EU.

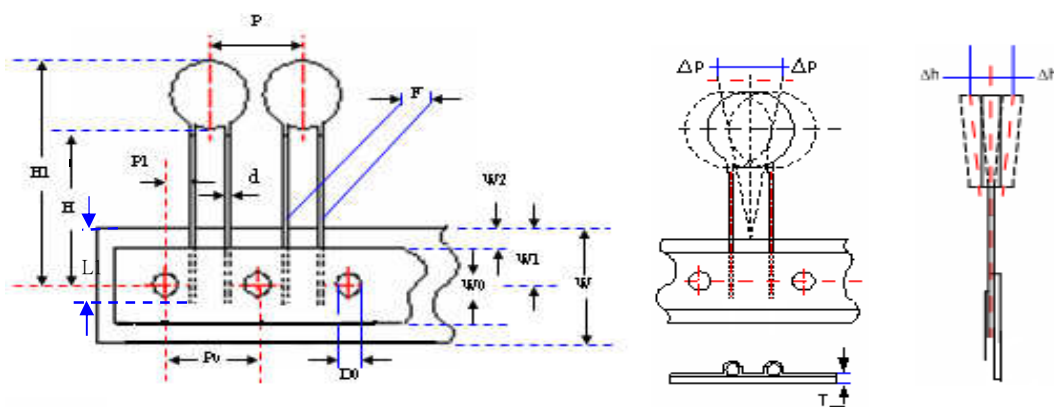
Warehouse Storage Conditions of Products

(I) Storage Conditions :

- 1.Storage Temperature : -10 $^{\circ}\text{C}$ ~+40 $^{\circ}\text{C}$
- 2.Relative Humidity : $\leq 75\%RH$
- 3.Keep away from corrosive atmosphere and sunlight.

(II) Period of Storage : 1 year

Taping and Dimensions

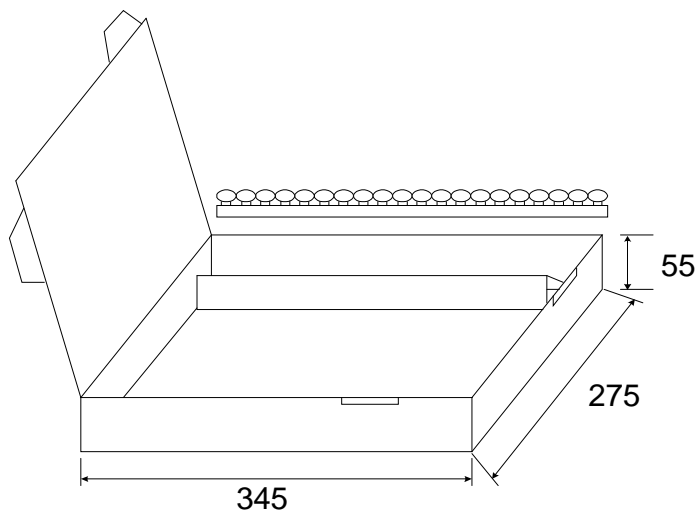


(Unit : mm)

Item	P0	F	P	P1	H	H1	d	W0	W1	W2	W	ΔP	Δh	L1	D0	T
	± 0.3	± 0.5	± 1	± 0.7	$+2/-0$	Max.	± 0.02	± 1	$+0.75$ -0.5	Max.	$+1/-$ 0.5	Max.	Max.	Min.	± 0.2	± 0.2
	12.7	5	12.7	3.85	18	32	0.8	12	9	3	18	1	2	9	4	0.6

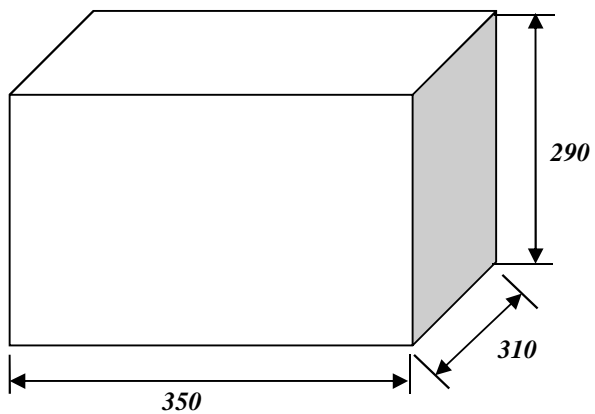
Packaging

(1) Quantity (1300pcs / box)



(Unit:mm)

(2) : Quantity (5 boxes /Carton)



(Unit:mm)

Safety Approvals (Certified Model/Type : SCK-015)



* UL 1434 / cUL recognized (File # E138827)



* TUV recognized (File # R 50050155)



* CQC GB/T 6663.1-2007 recognized (File # CQC18001199471)

* CQC GB/T 6663.1-2007 recognized (File # CQC18001199474)

Certificates

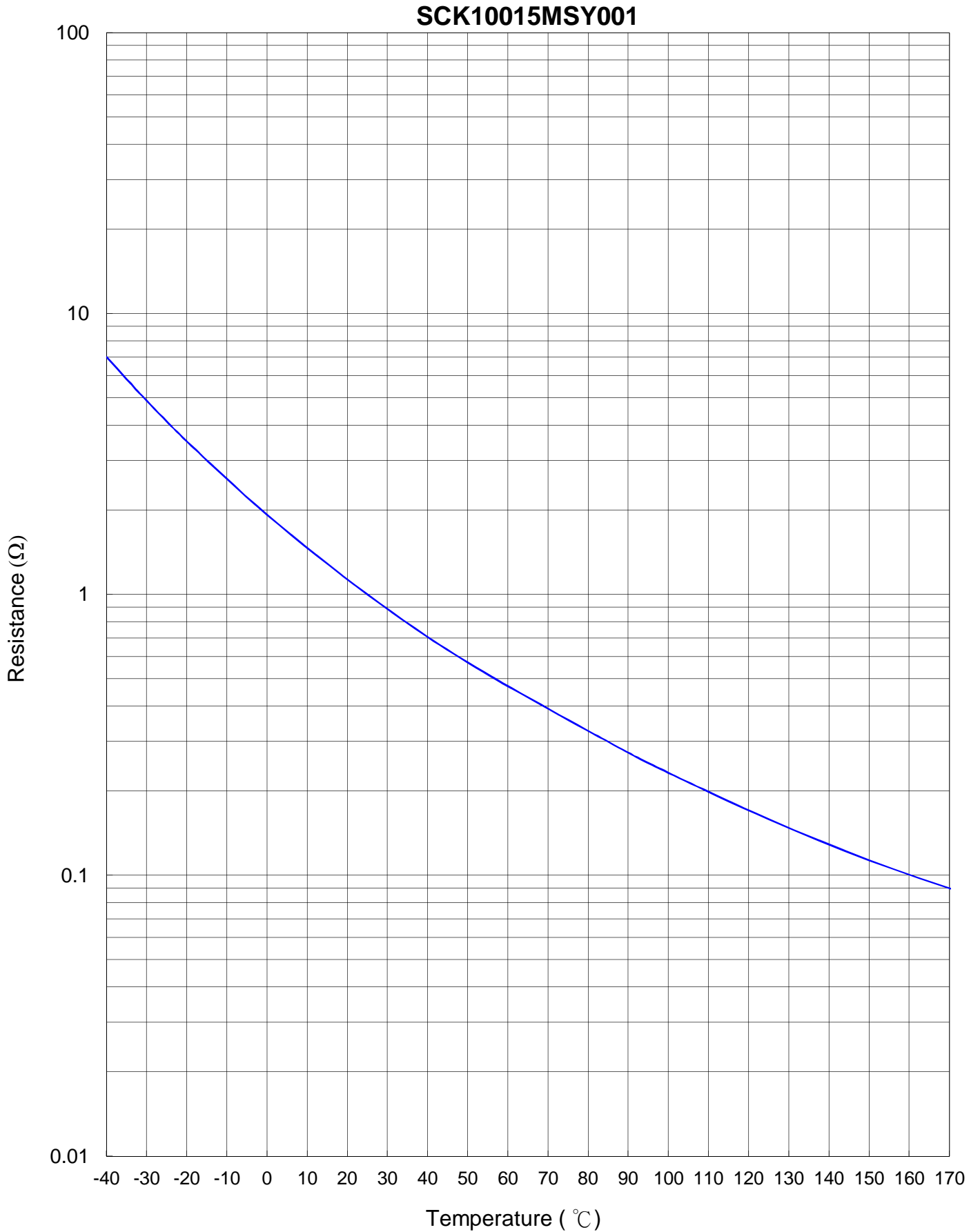
- (1) IATF 16949 certificate
- (2) ISO 9001 certificate

Test Report

- (1) RoHS test report
- (2) Halogen-free test report



R-T Characteristic Curve



V-I characteristic curve (Ambient $T_a=25\text{ }^\circ\text{C}$)

SCK10015MSY001

