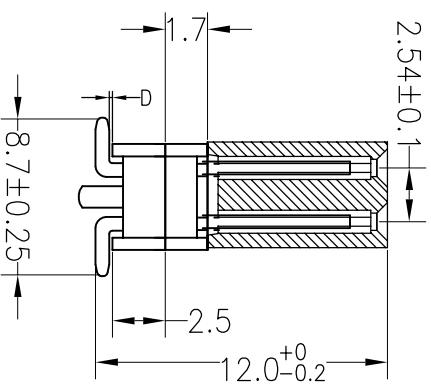
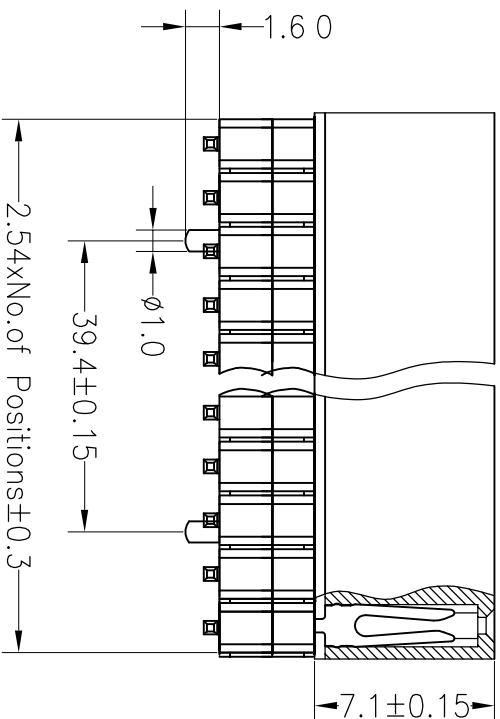
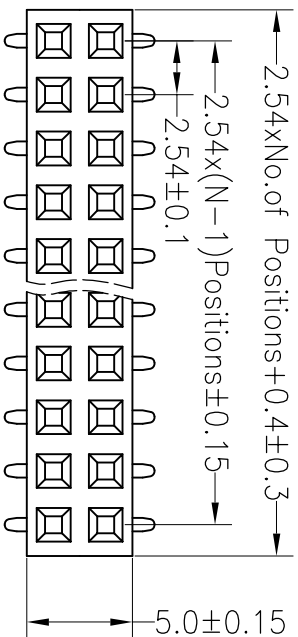


# RoHS

## SPECIFICATIONS

Rated Current: 3.0AMP  
 Contact Resistance: 20mΩ Max  
 Withstand Voltage: 1000V AC/DC  
 Insulation Resistance: 1000MΩ Min  
 Operation Temperature: -40°C to +105°C

Contact Material: Brass  
 Contact Plating: Au Over Ni  
 Insulator Material: Polyester (UL94V-0)  
 Standard: PA6T  
 Max. Processing Temp: 230°C for 30-60 seconds  
 (260°C for 10 seconds)



Dimension antitheses list				
ITEM	H	D	W	
Alternate	12.0	0.10	8.70	

深圳市连盛精密连接器有限公司

PART NO. FH-00325---A0001

TITLE: 2.54FH 3H=7.1+1.7+2.5 2x20P SMT  
 W5.0mm L=13.5 带偏柱 直径1.0 高1.6

OPERATION		DRAW		SCALE		FIT	
X.X	±0.30			UNIT	mm		
X.XX	±0.20	CHECK		SIZE	A4		
X.XXX	±0.10			SHEET	1/1		
Angle	±3°	APPROVE		PROJ.	◆		
DIM	TOL						

REV	DATE	MODIFICATION DESCRIPTION	CHANGE
A0	2012.10.08	NEW DRAWING	
1			