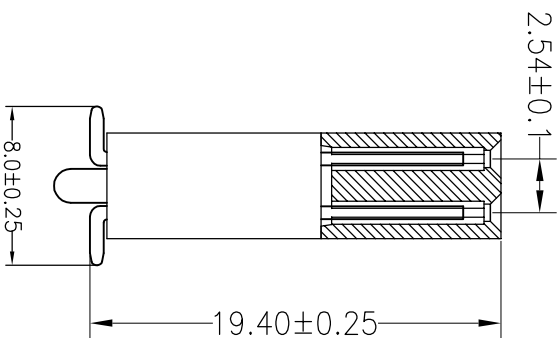
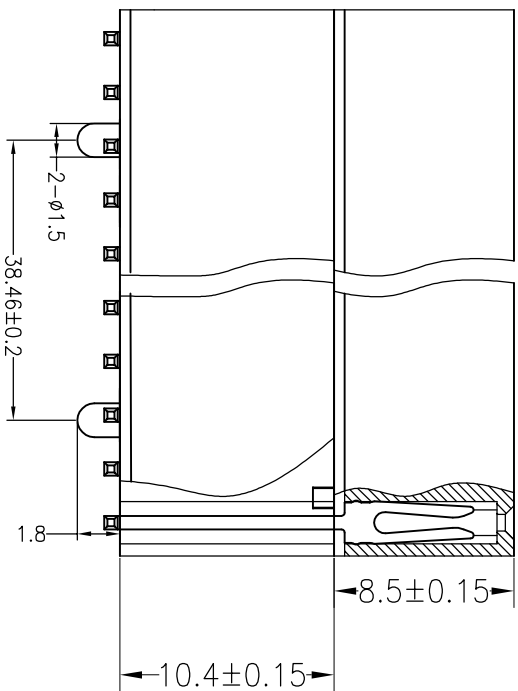
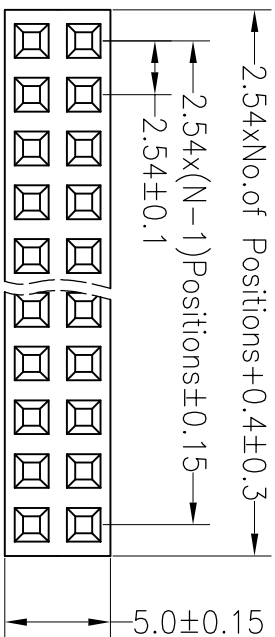


RoHS

SPECIFICATIONS

Rated Current:3.0AMP
 Contact Resistance:20mΩ Max
 Withstand Voltage:1000V AC/DC
 Insulation Resistance:1000MΩ Min
 Operation Temperature:-40°c to +105°c
 Contact Material:Brass
 Contact Plating:Au Over Ni
 Insulator Material:Polyester(UL94V-0)
 Standard: PA6T
 Max.Processing Temp: 230°C for 30-60 seconds
 (260°C for 10 seconds)



深圳市连盛精密连接器有限公司

PART NO. FH-00289 ---A0001

TITLE: 2.54FH 2H=8.5+10.4 2x20pin 180° W5.0mm

REV	DATE	MODIFICATION DESCRIPTION	CHANGE	OPERATION		DRAW		SCALE		FIT	PART NO.	TITLE:
				X.X	±0.30	CHECK	UNIT	mm	SIZE			
A0	2012.10.08	NEW DRAWING		X.XX	±0.20							
1				Angle	±3°	APPROVE						
				DIM	TOL							