

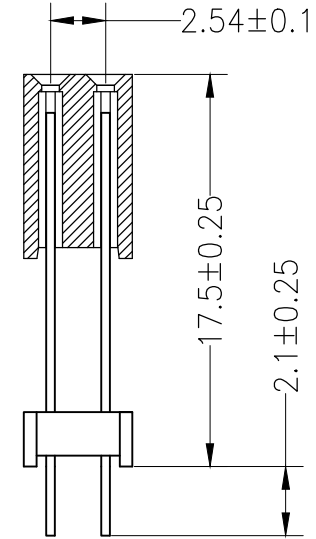
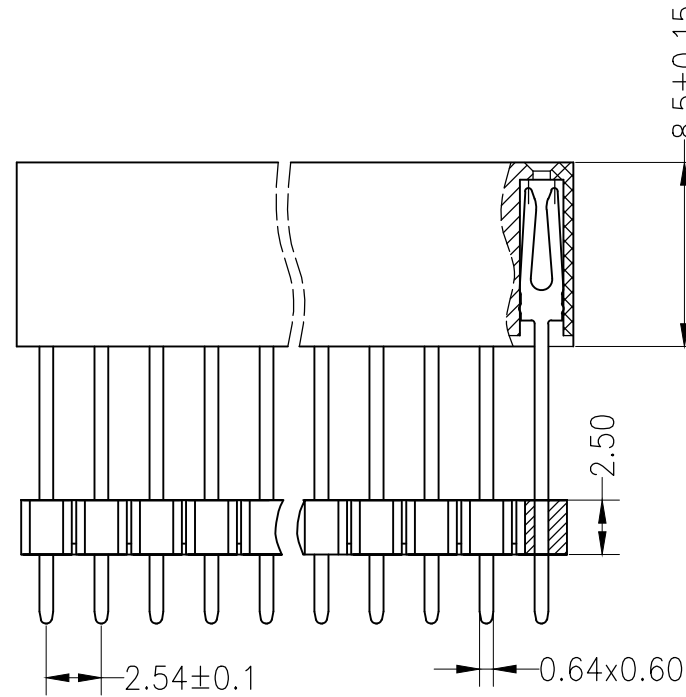
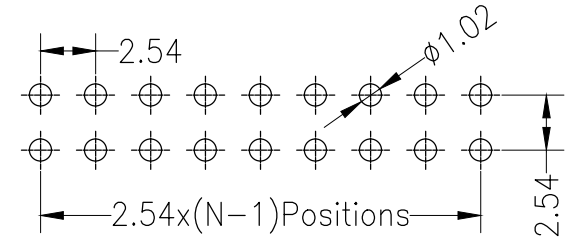
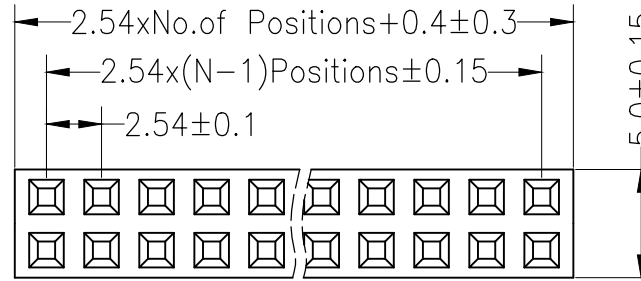
RoHS

SPECIFICATIONS

Rated Current:3.0AMP  
 Contact Resistance:20mΩ Max  
 Withstand Voltage:1000V AC/DC  
 Insulation Resistance:1000MΩ Min  
 Operation Temperature:-40°C to +105°C

Contact Material:Brass  
 Contact Plating:Au Over Ni  
 Insulator Material:Polyester(UL94V-0)  
 Standard: PA6T  
 Max.Processing Temp: 230°C for 30-60 seconds  
 (260°C for 10 seconds)

Recommended P.C.B Layout(Top Side)  
 (PCB BOARD TOLERANCE±0.05)



				OPERATION		DRAW		SCALE	FIT	深圳市连盛精密连接器有限公司	
				X.X	±0.30			UNIT	mm		
				X.XX ±0.20		CHECK		SIZE	A4	PART NO.	
				X.XXX ±0.10				SHEET	1/1	FH-00277	
				Angle ±3'		APPROVE		PROJ.	◆	TITLE:	
REV	DATE	MODIFICATION DESCRIPTION	CHANGE	DIM	TOL					2.54FH 2H=8.5+2.5 2x11pin	