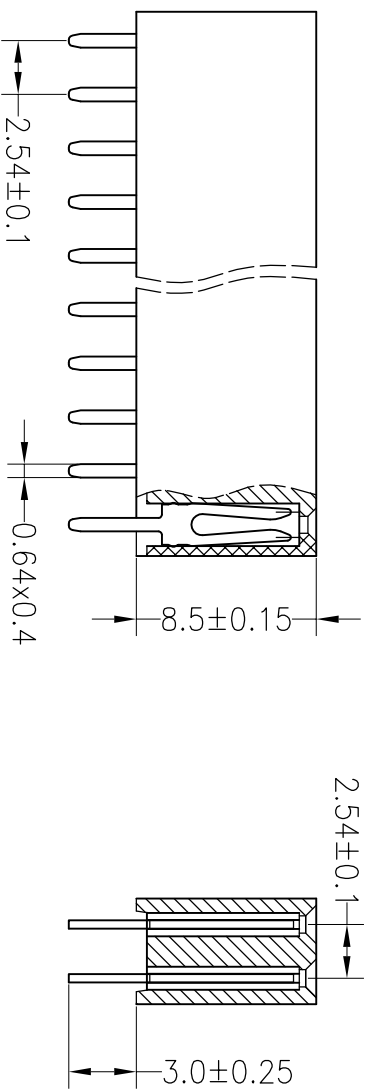
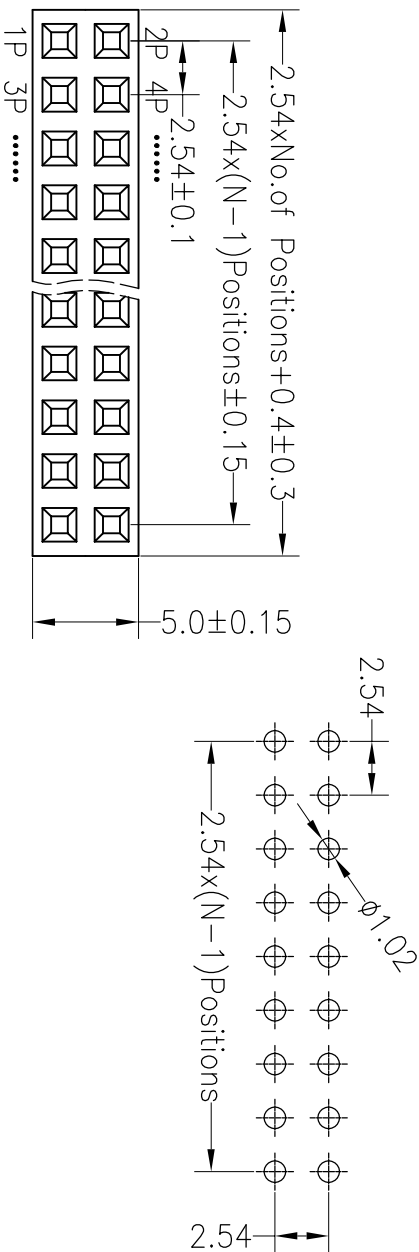


RoHS

SPECIFICATIONS

Rated Current:3.0AMP
 Contact Resistance:20mΩ Max
 Withstand Voltage:1000V AC/DC
 Insulation Resistance:1000MΩ Min
 Operation Temperature:-40°c to +105°c

Contact Material:Brass
 Contact Plating:Au Over Ni
 Insulator Material:Polyester(UL94V-0)
 Standard: PA9T
 Max.Processing Temp: 230°C for 30-60 seconds
 (260°C for 10 seconds)



深圳市连盛精密连接器有限公司

PART NO. **FH-00075---A0001**

TITLE: 2.54FH H8.5 2x30pin 180° W5.0mm

| REV | DATE | MODIFICATION DESCRIPTION | CHANGE | OPERATION | | DRAW | | SCALE | | FIT | PART NO. | TITLE: |
|-----|------------|--------------------------|--------|-----------|-------|---------|------|-------|------|-----|----------|--------|
| | | | | X.X | ±0.30 | CHECK | UNIT | mm | SIZE | | | |
| A0 | 2012.03.28 | NEW DRAWING | | X.XX | ±0.20 | | | | | | | |
| 1 | | | | Angle | ±3° | APPROVE | | PROJ. | | | | |