

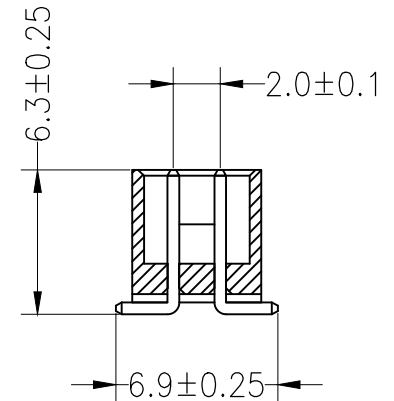
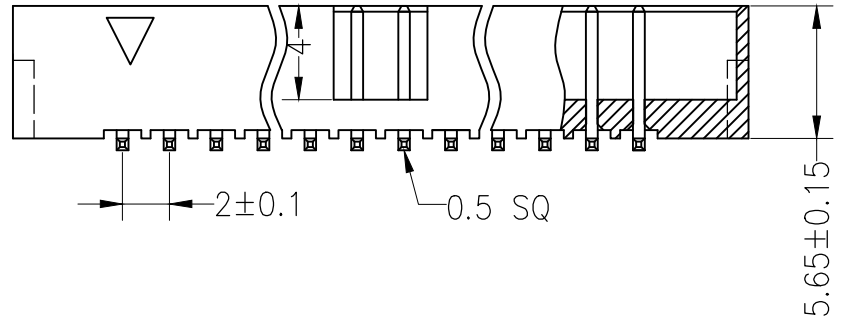
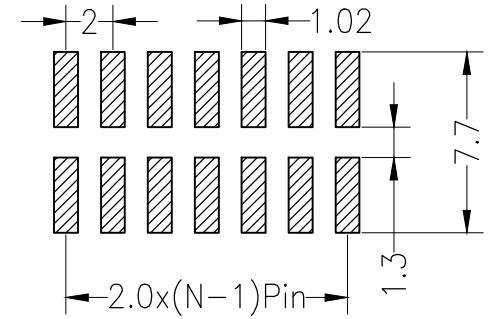
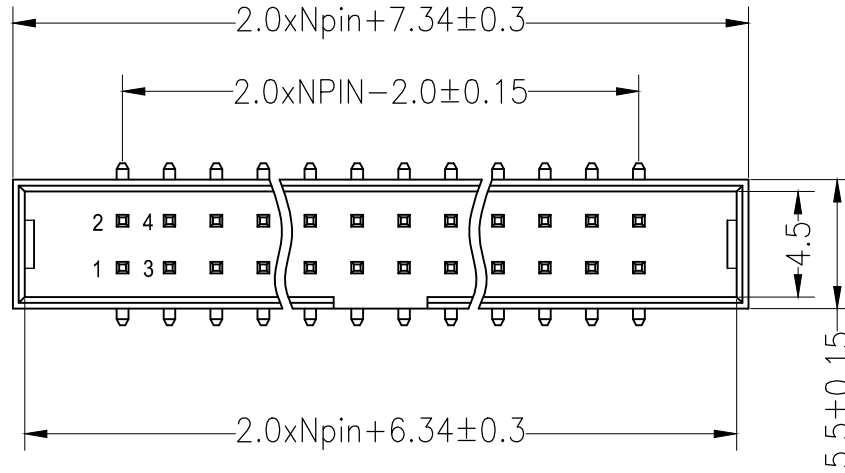
RoHS

SPECIFICATIONS

Rated Current:1.5AMP  
 Contact Resistance:20mΩ Max  
 Withstand Voltage:400V AC/DC  
 Insulation Resistance:800MΩ Min  
 Operation Temperature:-40°C to +105°C

Contact Material:Brass  
 Contact Plating:Au or Sn Over Ni  
 Insulator Material:Polyester(UL94V-0)  
 Standard: PA6T  
 Max.Processing Temp: 230°C for 30-60 seconds  
 (260°C for 10 seconds)

Recommended P.C.B Layout(Top Side)  
 (PCB BOARD TOLERANCE±0.05)



				OPERATION		DRAW		SCALE	FIT	深圳市连盛精密连接器有限公司	
				X.X	±0.30			UNIT	mm		
				X.XX	±0.20	CHECK		SIZE	A4	PART NO. BH-00217	
A0	2012.03.28	NEW DRAWING		X.XXX	±0.10	APPROVE		SHEET	1/1	TITLE: 2.0Box Header Npin H5.65 SMT	
REV	DATE	MODIFICATION DESCRIPTION		CHANGE	DIM	TOL	PROJ.				