

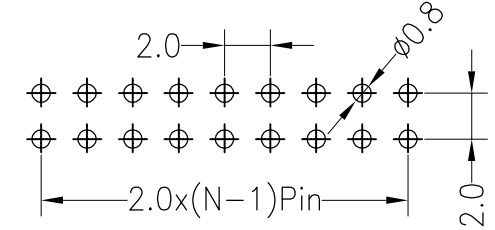
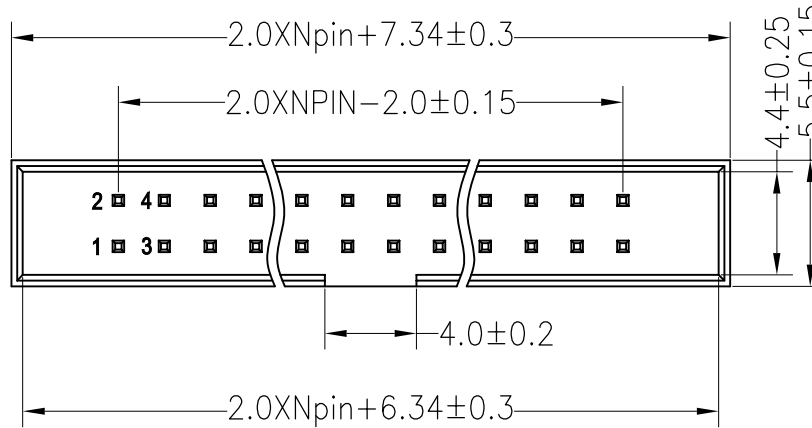


**SPECIFICATIONS**

Rated Current:1.5AMP  
 Contact Resistance:20mΩ Max  
 Withstand Voltage:400V AC/DC  
 Insulation Resistance:800MΩ Min  
 Operation Temperature:-40°c to +105°c

Contact Material:Brass  
 Contact Plating:Au or Sn Over Ni  
 Insulator Material:Polyester(UL94V-0)  
 Standard: PA6T  
 Max.Processing Temp: 230°C for 30-60 seconds  
 (260°C for 10 seconds)

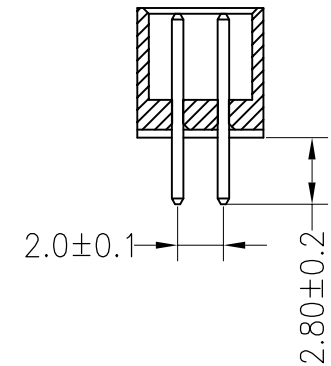
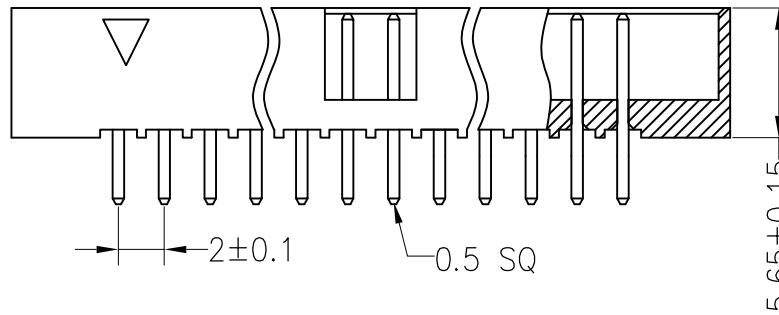
Recommended P.C.B Layout(Top Side)  
 (PCB BOARD TOLERANCE±0.05)



**Ordering Information**

**3220 XX S XX X B K00 X 01**

- No.of Pins Per Row 6--64
- Contact Plating  
 G0:0.8U" Gold  
 G1:1U" Gold  
 G2:1.5U" Gold  
 G3:2U" Gold  
 G4:3U" Gold  
 G5:5U" Gold  
 S0:Gold Flash/Tin  
 SN:Tin
- Insulator Material Option  
 A=BK-PBT  
 B=BK-PA66  
 C=BK-PA6T  
 D=BK-PA46  
 E=BK-PA9T  
 F=BK-LCP
- Packing  
 O=PE Bag  
 A=Tray  
 T=Tube  
 P=Tube+Cap



				OPERATION		DRAW	卢能	2016.9.14	SCALE	FIT	深圳市连盛精密连接器有限公司		
				X.X	±0.30				UNIT	mm			
				X.XX	±0.20	CHECK		SIZE	A4	PART NO.			BH-00187
A0	2012.03.28	NEW DRAWING		X.XXX	±0.10			SHEET	1/1	TITLE:			2.0BOX H=5.65 DIP
REV	DATE	MODIFICATION DESCRIPTION		CHANGE	DIM	TOL	APPROVE	PROJ.					
1	2	3	4	5	6	7	8	9					