

RoHS

SPECIFICATIONS

Rated Current:3.0AMP

Contact Resistance:20mΩ Max

Withstand Voltage:1000V AC/DC

Insulation Resistance:1000MΩ Min

Operation Temperature:-40°c to +105°c

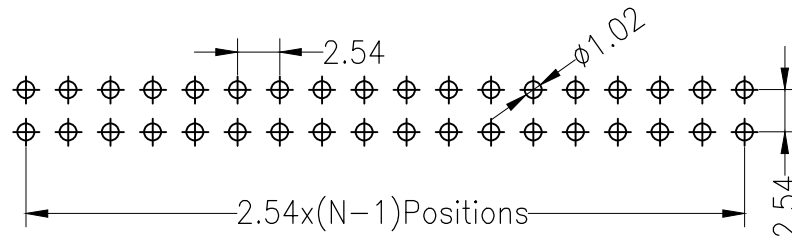
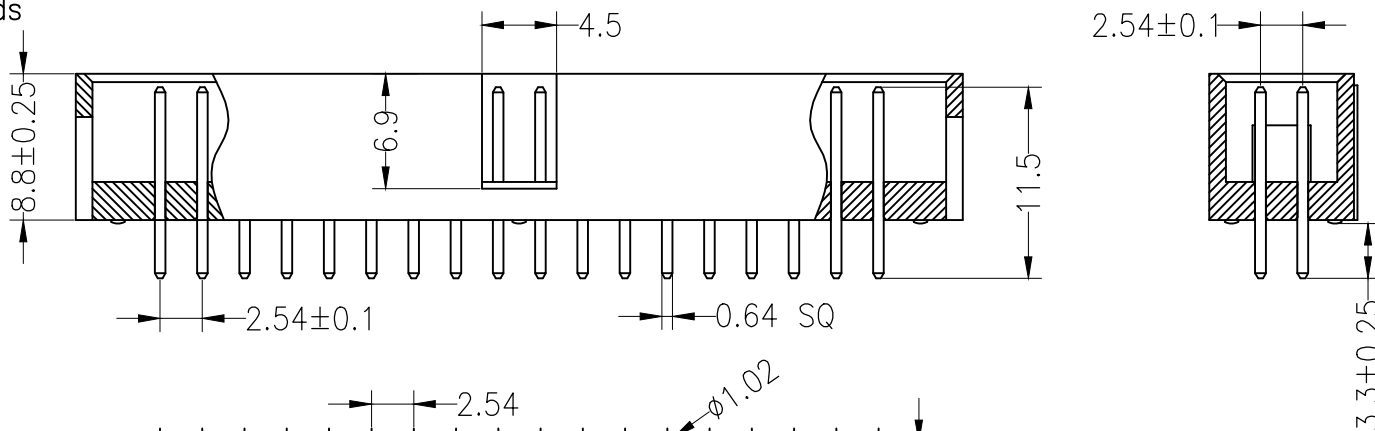
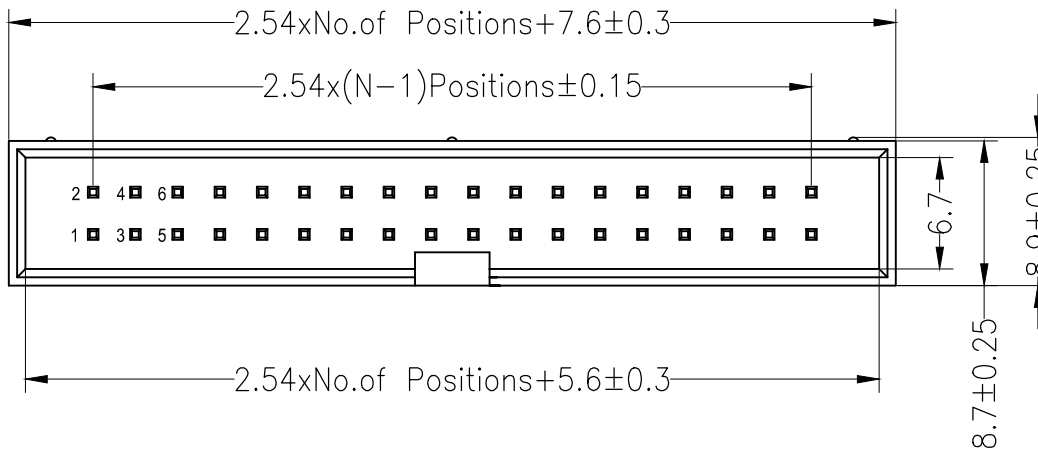
Contact Material:Brass

Contact Plating:Au Over Ni

Insulator Material:Polyester(UL94V-0)

Standard: PA6T

Max.Processing Temp: 230°C for 30-60 seconds
(260°C for 10 seconds)



Recommended P.C.B Layout(Top Side)
(PCB BOARD TOLERANCE±0.05)

				OPERATION		DRAW		SCALE	FIT	深圳市连盛精密连接器有限公司	
				X.X	±0.30			UNIT	mm		
				X.XX	±0.20	CHECK		SIZE	A4	PART NO. BH-00185	
A0	2012.03.28	NEW DRAWING		X.XXX	±0.10	APPROVE		SHEET	1/1	TITLE: 2.54Box 26P H8.8mm 180° PA6T	
REV	DATE	MODIFICATION DESCRIPTION		CHANGE	DIM	TOL	PROJ.				