

RoHS

SPECIFICATIONS

Rated Current:3.0AMP

Contact Resistance:20mΩ Max

Withstand Voltage:1000V AC/DC

Insulation Resistance:1000MΩ Min

Operation Temperature:-40°C to +105°C

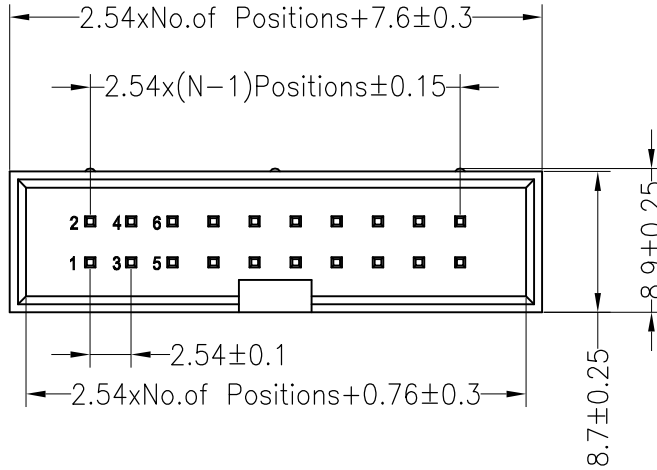
Contact Material:Brass

Contact Plating:Au Over Ni

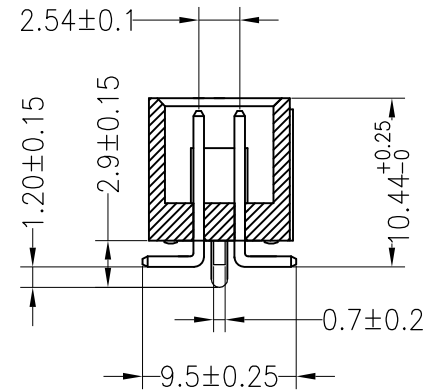
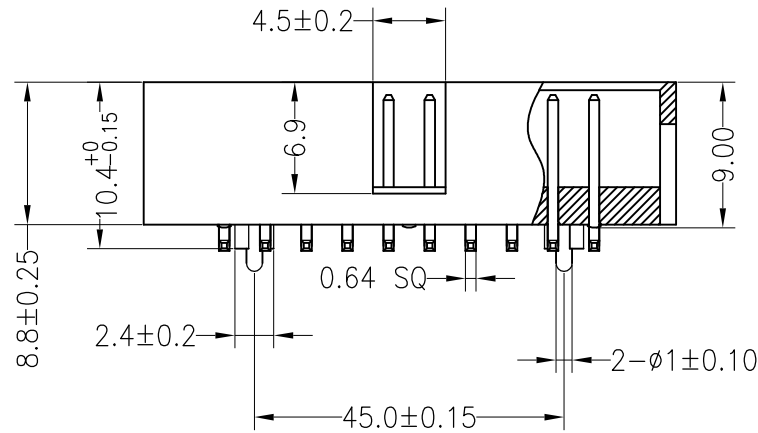
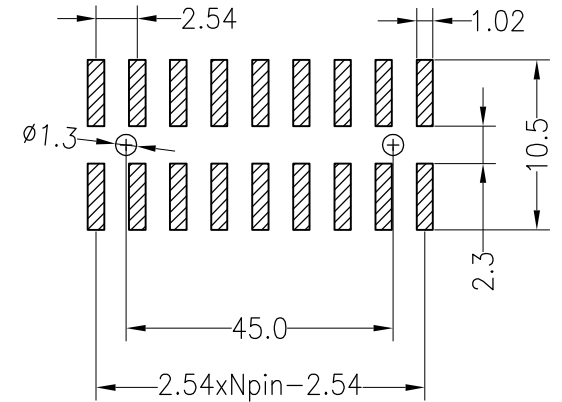
Insulator Material:Polyester(UL94V-0)

Standard: PA6T

Max.Processing Temp: 230°C for 30-60 seconds
(260°C for 10 seconds)



Recommended P.C.B Layout(Top Side)
(PCB BOARD TOLERANCE±0.05)



OPERATION

DRAW

SCALE

FIT

深圳市连盛精密连接器有限公司

X.X ±0.30

CHECK

UNIT

mm

A1

2018.12.07

柱子加高0.6mm

X.XX ±0.20

APPROVE

SIZE

A4

A0

2018.11.06

柱子底部加台阶

X.XXX ±0.10

Angle ±3°

SHEET

1/1

PART NO.

BH-00182

REV

DATE

MODIFICATION DESCRIPTION

CHANGE

DIM

TOL

PROJ.

◆

TITLE:

2.54BOX 40P H8.8 SMT 带偏内柱 两柱之间45.0 直径1.0 高2.9

1

2

3

4

5

6

7

8

9